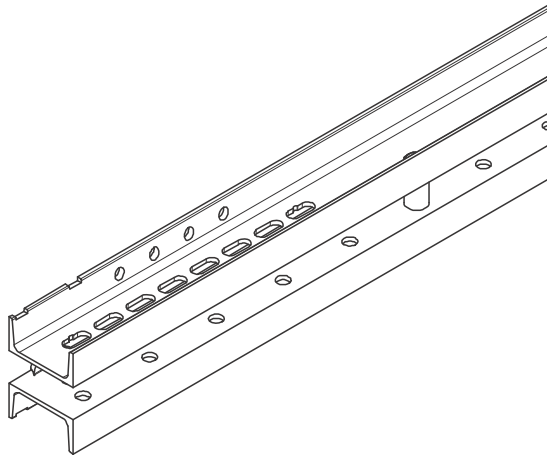


VARIOKIT modulair systeem

Gew. kg		L
18, 100	Stalen Universele gording SRU	722
24, 200	Stalen Universele gording SRU U120, l = 0,72m	972
30, 900	Stalen Universele gording SRU U120, l = 0,97m	1222
38, 100	Stalen Universele gording SRU U120, l = 1,22m	1472
44, 700	Stalen Universele gording SRU U120, l = 1,47m	1722
52, 000	Stalen Universele gording SRU U120, l = 1,97m	1972
58, 600	Stalen Universele gording SRU U120, l = 2,22m	2222
65, 600	Stalen Universele gording SRU U120, l = 2,47m	2472
72, 000	Stalen Universele gording SRU U120, l = 2,72m	2722
81, 000	Stalen Universele gording SRU U120, l = 2,97m	2972
92, 600	Stalen Universele gording SRU U120, l = 3,47m	3472
106, 000	Stalen Universele gording SRU U120, l = 3,97m	3972
119, 000	Stalen Universele gording SRU U120, l = 4,47m	4472
135, 000	Stalen Universele gording SRU U120, l = 4,97m	4972
146, 000	Stalen Universele gording SRU U120, l = 5,47m	5472
159, 000	Stalen Universele gording SRU U120, l = 5,97m	5972
157, 000	Stalen Universele gording SRU U120, l = 4,97m	4972

De universele stalen gording, profiel U120 en U140 worden gebruikt als staanders of liggers bij het GT24 bekistingsysteem en bij verschillende specifieke toepassingen. Met verstelbare afstandhouders.



Technische Data

SRU 120 $W_y = 121,4 \text{ cm}^3$, $I_y = 728 \text{ cm}^4$

SRU 140 $W_y = 172,8 \text{ cm}^3$, $I_y = 1210 \text{ cm}^4$

