

IMPRES™ Adaptive Multi-Unit Charger



User Guide



TABLE OF CONTENTS

Operational Safety Guidelines	4
Operating Instructions	5
Charging Procedure	5
Initialization	6
Automatic Reconditioning	7
Manually Terminating the Reconditioning Process	7
Manually Initiating the Reconditioning Process	8
Troubleshooting	8
Service	9
Motorola Authorized Power Cords	10
Motorola Authorized Batteries	11
IMPRES Feature / Benefit Description	12
Charger Display Module (CDM)	13
General Display Information	13
Sequencing Diagrams for IMPRES Batteries	17
Display Text Orientation	20

IMPORTANT SAFETY INSTRUCTIONS SAVE THESE INSTRUCTIONS

This document contains important safety and operating instructions. Please read these instructions carefully and save them for future reference.

Before using the battery charger, read all the instructions and cautionary markings on (1) the charger, (2) the battery, and (3) the radio using the battery.

WARNINGS



WARNING

1. To reduce risk of injury, charge only the rechargeable Motorola-authorized batteries listed in Table 4. Other batteries may explode, causing personal injury and damage.
2. Use of accessories not recommended by Motorola may result in risk of fire, electric shock, or injury.
3. To reduce risk of damage to the electric plug and cord, pull by the plug rather than the cord when disconnecting the charger.
4. An extension cord should not be used unless absolutely necessary. Use of an improper extension cord could result in risk of fire and electric shock. If an extension cord must be used, make sure that the cord size is 18 AWG for lengths of up to 100 feet (30.48 m), and 16 AWG for lengths up to 150 feet (45.72 m).
5. To reduce risk of fire, electric shock, or injury, do not operate the charger if it has been broken or damaged in any way. Take it to a qualified Motorola service representative.
6. The IMPRES Adaptive Multi-Unit Charger can only be repaired by a qualified service technician authorized by Motorola. Any violation of this policy can void unit warranty.

WARNINGS (continued)



WARNING

7. To reduce risk of electric shock, unplug the charger from the AC outlet before attempting any maintenance or cleaning.

8. For fuse replacement, use only fuses of the same type and rating listed on the charger label. Replace fuses with Cooper-Bussman GDC-3.15 or approve equivalent only. The following parts can be ordered from Motorola Radio Products and Services Division (1-800-422-4210 [US and Canada] or 1-847-538-8023 [International]):

Fuse	6571489S01
Cover	0987739G01

9. This is a class A product. In a domestic environment this product may cause radio interference in which case the user may be required to take adequate measures.

OPERATIONAL SAFETY GUIDELINES

- Turn the radio off when charging the battery.
- This equipment is not suitable for outdoor use. Use only in dry locations / conditions.
- Connect equipment only to an appropriately fused and wired supply of the correct voltage (as specified on the product).
- Disconnect from line voltage by removing the main plug from the outlet.
- The socket outlet to which this equipment is connected should be close and easily accessible.
- For equipment using fuses, replacements must comply with the type and rating specified in the equipment instructions.
- Maximum ambient temperature around the charger must not exceed 40 °C (104 °F).
- Make sure the cord is located where it will not be stepped on, tripped over, or subjected to water, damage, or stress.
- This unit utilizes the same wall mount unit as the NTN4796 Multi-Unit Charger. The wall mount part number is NLN7967.

OPERATING INSTRUCTIONS

The IMPRES Adaptive Charger System is a fully automated battery care system. All a user needs to do is follow these simple steps:

1. Place the radio / IMPRES battery into the charger.
2. Remove the radio / IMPRES battery when it's fully charged (LED turns steady GREEN).

The charger pockets accommodate either a radio with an IMPRES battery attached or an IMPRES battery alone. **Prior to charging a radio with an IMPRES battery, turn the radio off.** Batteries charge best at room temperature.

Charging Procedure

1. Plug the charger end of the power supply cord into the power receptacle located at the back of the charger.
2. Plug the wall receptacle end of the power supply cord into the appropriate AC outlet. A successful power-up sequence is indicated by a **SINGLE GREEN BLINK** on the charger indicator.
3. Insert an IMPRES battery, or a radio with an IMPRES battery (**with the radio turned off**), into the charger's pocket by:
 - a. Aligning the groove on each side of the battery with the corresponding raised rail on each side of the charger pocket.
 - b. Pressing the battery toward the rear of the pocket.
 - c. Sliding the battery into the charger pocket, ensuring complete contact between the charger and battery contacts.
4. To remove a radio or IMPRES battery from the charger, hold and support the charger with one hand, and remove the radio or battery with the other hand.

Once the IMPRES battery is properly seated into the pocket, the charger indicator illuminates, indicating the charger has recognized the presence of the battery. Refer to the charging indicators in Table 1.

Table 1. IMPRES Battery Charging Indicators

Charge Indicator	Description
<i>Single Green Blink</i>	Charger has successfully powered up.
<i>Steady Red</i>	Battery is in rapid charge mode.
<i>Blinking Green</i>	Battery has completed rapid charge (>90 % available capacity). Battery is in Top-Off charge (Trickle charge).
<i>Steady Green</i>	Battery has completed charging and is fully charged.
<i>Blinking Orange</i>	Battery is recognized by charger but is waiting to charge. (Either the battery voltage is too low or the battery temperature is too low or too high to allow charging. When this condition is corrected, the battery will automatically begin charging.)
<i>Blinking Red</i>	Battery is unchargeable or not making proper contact.
<i>Steady Orange</i>	(This feature applies to IMPRES batteries only) Battery is in recondition or initialization mode. The length of time the charger remains in this mode depends upon the state of charge remaining in the battery when inserted. (Fully charged batteries require more time to recondition – 8 to 12 hours or more – than fully discharged batteries.)
<i>Blinking Red / Green</i>	(This feature applies to IMPRES batteries only) Battery has completed charging and is fully charged. Battery continues to be usable, but may be nearing the end of its rated service life.

INITIALIZATION

In order for the features of Motorola IMPRES batteries and the Adaptive Charging System to be fully available, the data contained in Motorola IMPRES batteries must be initialized by the charger the first time it is charged. This process is indicated by a **STEADY ORANGE** light on the charger indicator (the same as if the battery were reconditioning). The process is automatic, includes an initial reconditioning of the battery, and begins charging upon completion of this process. This process requires time to initialize the battery, so the battery should be left in the charger for approximately 12 hours to complete the process. Do not remove the battery from the charger until the **STEADY GREEN** light is on.

AUTOMATIC RECONDITIONING

The Motorola IMPRES Adaptive Charger, when used in conjunction with a Motorola IMPRES battery, has the ability to determine when it is appropriate to recondition the battery (required to remove memory issues in IMPRES batteries).

When an IMPRES battery is properly inserted into the charger, the charger determines if it is appropriate to recondition the battery. If the battery needs reconditioning, the charger automatically indicates a **STEADY ORANGE**. This process may take up to 12 hours to complete, depending upon the state of charge and capacity rating of the battery when it is inserted.

It is important to note, for this process to be effective, the IMPRES battery must be allowed to complete the recondition / recharge process. Leave the battery in the charger until the charger indicates a **STEADY GREEN**.

At the completion of the recondition cycle, the charger automatically recharges the IMPRES battery.

Manually Terminating the Reconditioning Process

At any time during the reconditioning process of a Motorola IMPRES battery (**STEADY ORANGE** indication), reconditioning may be terminated by removing and reinserting the battery back into the charger within 5 seconds. This causes the charger to terminate the reconditioning process and begin the charging process. The charger indicator changes to a **STEADY RED**. The charger will attempt to recondition the battery at the next battery insertion.

Manually Initiating the Reconditioning Process

Within 2–1/2 minutes of the initial insertion of an IMPRES battery (**STEADY RED** indication), remove and reinsert the battery within 5 seconds to manually force reconditioning to occur. The charger indicator changes from a **STEADY RED** to a **STEADY ORANGE**. This forces the charger to recondition and automatically recharge the battery. This is a useful feature to have when IMPRES batteries have been in storage for several months or longer. Two or three manual recondition cycles may be required to rejuvenate the batteries, due to long term storage conditions.

TROUBLESHOOTING

When troubleshooting, always observe the color of the LED.

Table 2. Troubleshooting

Problem	What it means...	What to do...
No charger indication	1a. Charger contact is not being made. 1b. No power to the charger.	1a. Check that the radio with battery, or the battery alone, is inserted correctly. 1b. <ul style="list-style-type: none"> • Make sure that the power cord is securely plugged into the charger and an appropriate AC outlet, and that there is power to the outlet. • Replace fuses.
Blinking Red Indication	2a. Charger contact is not being made. 2b. Battery is not chargeable.	2a. <ul style="list-style-type: none"> • Remove the battery from the charger and replace it back into the charger. • Verify that the battery is a Motorola-authorized battery listed in Table 4. Other batteries may not charge. • Remove power from the battery charger and, using a clean dry cloth, clean the gold metal charging contacts of both the battery and the charger. 2b. Replace battery.

Table 2. Troubleshooting (continued)

Problem	What it means...	What to do...
Blinking Orange Indication	3. Battery is waiting to charge. The battery temperature may be below 5 °C (41 °F) or above 40 °C (104 °F) or the battery voltage may be lower than the predetermined threshold level for rapid charging.	3. When this condition is corrected, the battery will begin charging automatically.

SERVICE

the IMPRES Adaptive Multi-Unit Charger can only be repaired by a qualified service technician authorized by Motorola. Any violation of this policy will void the unit warranty. For more information on serviceability of the Multi-Unit Charger and Charger Display Module, refer to the charger service manual, 6871357L01.

For service in US, contact the following depot. Please call and confirm your return before sending the unit to the depot for service.

Motorola Service Center

2200 Galvin Drive
Elgin, IL 60123
1-800-422-4210 (US & Canada)
1-847-538-8023 (International)

For service (EMEA), contact the following depot. Please call and confirm your return before sending the unit to the depot for service.

Motorola Service Center

Motorola GmbH
Customer Care
Am Borsigturm 130
13507 Berlin
Germany
Tel: +49 30 6686 1555

MOTOROLA AUTHORIZED POWER CORDS

This charger is designed for use in 100 VAC to 240 VAC, 50 / 60 Hz applications and uses the following Motorola power cords.

Table 3. Motorola Power Cords

Plug Type	Charger Kit	Charger Kit (Display Model)	Power Cord
No power cord / plug	WPLN4211/B	WPLN4218/B	None
U.S.	WPLN4212/B	WPLN4219/B	3087791G01
Euro	WPLN4213/B	WPLN4220/B	3087791G04
U.K.	WPLN4214/B	WPLN4221/B	3087791G07
Australia / New Zealand	WPLN4215/B	WPLN4222/B	3087791G10
Argentina	WPLN4216/B	WPLN4223/B	3087791G13
Korea	WPLN4217/B	WPLN4224/B	3087791G16
EMEA Hybrid	WPLN4237/B	WPLN4238/B	3087791G01
US / NA 1-UP	None	WPLN4239/B	3087791G01
Japan	PMLN5256/B	None	None
Brazil	WPLN4277/B	WPLN4278/B	3087791G22

MOTOROLA AUTHORIZED BATTERIES

The following tables list batteries that can be used with the specific subscriber radios identified in the table headings.

Table 4. Standard & IMPRES Batteries for Professional Digital Radios

Kit (PN)	Chemistry	FM	IMPRES
PMNN4065	NiMH	No	No
PMNN4066	Li-Ion	No	Yes

Table 4. *Standard & IMPRES Batteries for Professional Digital Radios (continued)*

Kit (PN)	Chemistry	FM	IMPRES
PMNN4069	Li-Ion	Yes	Yes
PMNN4077	Li-Ion	No	Yes
PMNN4101	Li-Ion	No	Yes
PMNN4102	Li-Ion	Yes	Yes
PMNN4103	Li-Ion	No	Yes
PMNN4104	NiMH	No	No
PMNN4406	Li-Ion	No	No
PMNN4407	Li-Ion	No	Yes
PMNN4409	Li-Ion	No	Yes
PMNN4412	NiMH	No	No
PMNN4415	NiMH	No	No
PMNN4416	Li-Ion	No	No
PMNN4417	Li-Ion	No	Yes
PMNN4418	Li-Ion	No	Yes
PMNN4424	Li-Ion	No	Yes
NNTN8128	Li-Ion	No	Yes
NNTN8129	Li-Ion	Yes	Yes
NNTN8305	Li-Ion	No	Yes

NOTE:

NNTN8305 battery is only compatible with MUC Revision B and later.

Table 5. Standard & IMPRES Batteries for MOTOTRBO Radios (XPR 7550 Ex, DP 4801 Ex, DP 4401 Ex, XiR P8668 Ex, XiR P8608 Ex, DGP 8550 Ex, DGP 8050 Ex)

Kit (PN)	Chemistry	FM	IMPRES
NNTN8359	Li-Ion	ATEX	Yes

NOTE:

If the charge indicator light at the charger consistently indicate a defective battery or is deviating from those listed in Table 1, the battery is not allowed to be used in the hazardous environment anymore.

IMPRES FEATURE / BENEFIT DESCRIPTION

The IMPRES energy solution is an advanced Tri-Chemistry energy system developed by Motorola which encompasses (a) IMPRES batteries, (b) the IMPRES Adaptive Multi-Unit Charger and, (c) radio hardware / software which provides the capability for IMPRES compatible radios to communicate with IMPRES batteries.

The IMPRES Adaptive Multi-Unit Charger, when used in conjunction with Motorola IMPRES batteries, will:

1. Maximize operation time between charge cycles by automatically eliminating memory effect.
2. Maximize battery life by significantly reducing heat during the trickle and post-charge cycles.
3. Eliminate the need to purchase reconditioning equipment and train personnel to “manage battery maintenance tasks.”

With this unique patented system approach, there is no need to track and record IMPRES battery use, conduct manual reconditioning cycles, or remove batteries from chargers following charging.

The IMPRES Adaptive Multi-Unit Charger monitors the usage pattern of the IMPRES battery, stores that information in the IMPRES battery, and performs a recondition cycle only when needed.

The IMPRES Adaptive Multi-Unit Charger will not overheat the IMPRES battery regardless of how long it is left in the pocket. The charger monitors the battery and automatically “tops off” the battery as required.

CHARGER DISPLAY MODULE (CDM)

The IMPRES Adaptive Multi-Unit Charger can be enhanced with the addition of a charger display module (CDM). Order and install Motorola part no. RLN5382.

General Display Information

The IMPRES Adaptive Multi-Unit Charger with CDM provides the user with valuable information while performing battery maintenance and care. The information that the charger displays and the corresponding LED indicators are detailed in the following tables.

Start Up

Upon Charger Power-up

LED	SINGLE GREEN BLINK
Line 1	IMPRES
Line 2	

If There is No Battery in the Pocket

LED	OFF
Line 1	NO BATTERY
Line 2	

Reading Battery Data

LED	Any Defined Indication
Line 1	READING
Line 2	BATTERY DATA

Non-IMPRES Battery in the Pocket

LED	Defined by Charge State
Line 1	NON-IMPRES
Line 2	BATTERY

IMPRES Battery in the Pocket

IMPRES and Software Versions are Displayed

LED	Defined by Charge State
Line 1	IMPRES
Line 2	SW xx.yy; aa.bb

NOTE:

xx.yy denotes charger SW version, and aa.bb denotes CDM SW version.

IMPRES Battery Kit # and Serial # are Displayed (Each IMPRES battery shows a unique serial # for Easy ID)

LED	Defined by Charge State
Line 1	KIT# -----
Line 2	SN: -----

IMPRES Battery Kit # and Chemistry are Displayed

LED	Defined by Charge State
Line 1	KIT# -----
Line 2	----CHEMISTRY

Forecasted # of Cycles Prior to Automatic Recondition

LED	Defined by Charge State
Line 1	---CYCLES
Line 2	TO RECONDITION

* Displayed only when the number of cycles prior to the next reconditioning cycle is estimated to be less than six.

Charger Waiting to Charge, Battery is Hot

LED	Blinking ORANGE
Line 1	WAITING TO CHG
Line 2	HOT BATTERY

Charger Waiting to Charge, Battery is Cold

LED	Blinking ORANGE
Line 1	WAITING TO CHG
Line 2	COLD BATTERY

Charger Waiting to Charge, Low Voltage

LED	Blinking ORANGE
Line 1	WAITING TO CHG
Line 2	LOW VOLTAGE

NOTE:

Not all screens shown will be displayed. For example, Waiting to Charge displays (battery hot, cold, low voltage) will only be shown if the situation warrants it.

Charger is in Rapid Charge Mode

LED	Steady RED
Line 1	RAPID CHARGE
Line 2	

Charger is in Trickle Charge Mode

LED	Blinking GREEN
Line 1	TRICKLE CHARGE
Line 2	

Charge is Complete

LED	Steady GREEN or Blinking RED / GREEN
Line 1	CHARGE COMPLETE
Line 2	

Charger is in Discharge/Reconditioning Mode

LED	Steady ORANGE
Line 1	DISCHARGE
Line 2	

Charger is Calibrating an IMPRES Battery

LED	Steady ORANGE, Steady RED, & Blinking ORANGE or GREEN
Line 1	Calibrating

Charger is Calibrating an IMPRES Battery

Line 2	Battery
--------	---------

LED	Steady GREEN
Line 1	Battery
Line 2	Calibrated

** All IMPRES batteries should be calibrated before initial use. An IMPRES charger will automatically initiate calibration for all new batteries*

Battery Capacity Data is Displayed as “%” in mAH, and Voltage for IMPRES Battery Only

LED	Defined by Charge State
Line 1	---% RATED CAP.
Line 2	---mAH --.-V

Estimated Capacity After Charge for IMPRES Battery Only

LED	Defined by Charge State
Line 1	EST CAP AFTER
Line 2	CHARGE xx%

NOTE:

Fully charged IMPRES batteries inserted immediately into a different pocket may show a slightly lower initial capacity due to stand loss estimations. The charger will correct this deviation when the battery reaches full charge in the new pocket, typically in a few minutes.

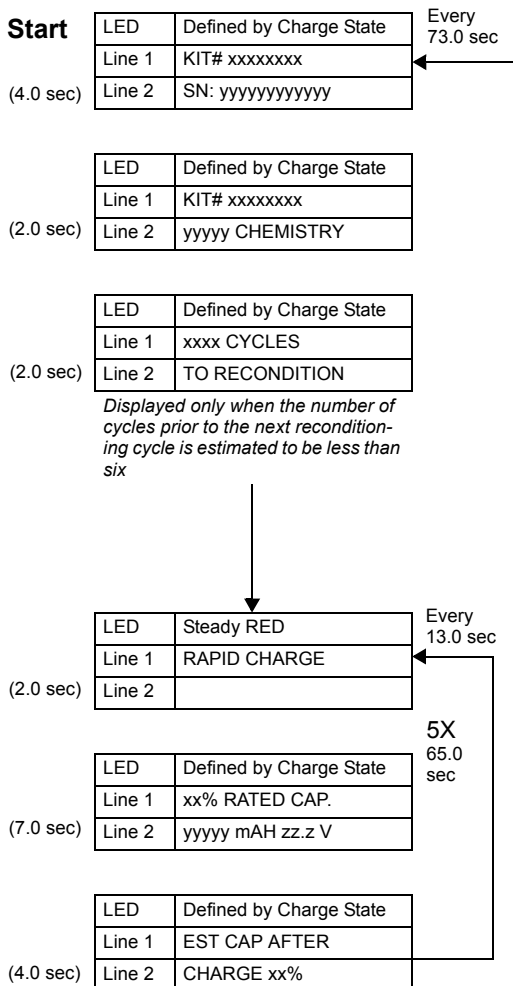
NOTE:

- (1) Estimated time to complete rapid charge may include any remaining time required to complete a discharge cycle plus the time required to complete a rapid charge cycle.
- (2) Battery capacity information may not be displayed for uncalibrated batteries.
- (3) Use of IMPRES batteries with non-IMPRES chargers can affect capacity and charge time accuracy.
- (4) Use of uncalibrated IMPRES battery packs can affect charge time accuracy.

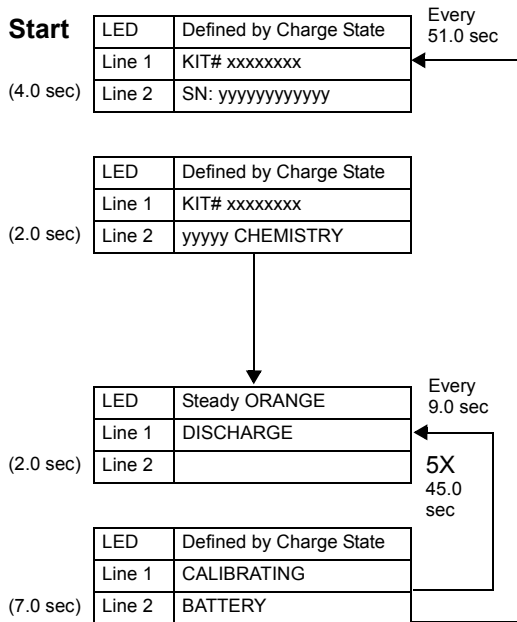
Sequencing Diagrams for IMPRES Batteries

IMPRES Li-Ion Battery Display Sequence

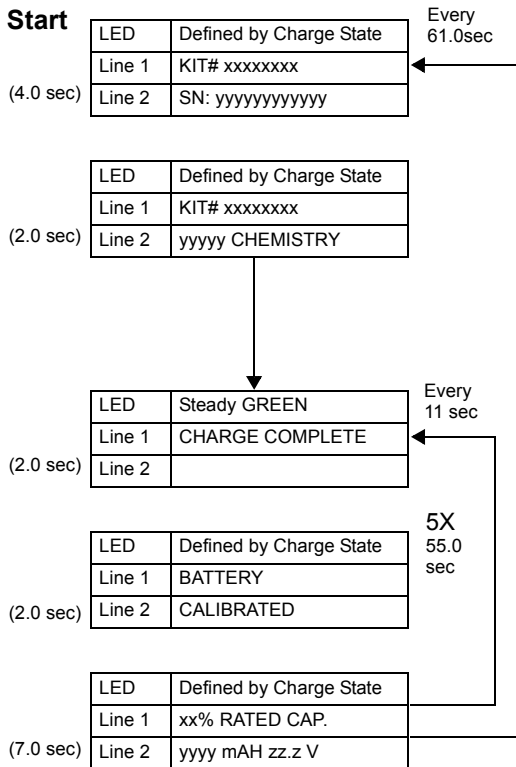
English



Before Calibration:



After Calibration:



Display Text Orientation

In order to allow for desk or wall mounting of the IMPRES Adaptive Multi-Unit Charger, the CDM is equipped with the ability to “flip” the display text 180 degrees.

To do this, insert a large paper clip into the pinhole below the display perpendicular to the desktop. A “click” indicates the toggle button has been actuated, flipping the text 180 degrees.

MOTOROLA, MOTO, MOTOROLA SOLUTIONS and the Stylized M logo are trademarks or registered trademarks of Motorola Trademark Holdings, LLC and are used under license. All other trademarks are the property of their respective owners.

© 2007, 2010 – 2012 Motorola Solutions, Inc. All rights reserved

CONTENIDO

Normas de seguridad en la operación.....	3
Instrucciones de operación.....	4
Procedimiento de carga.....	4
Inicialización	6
Reacondicionamiento automático	6
Terminación manual del proceso de reacondicionamiento	7
Iniciación manual del proceso de reacondicionamiento	7
Resolución de problemas	7
Servicio	9
Cables de alimentación aprobados por Motorola	10
Baterías aprobadas por Motorola	11
Descripción de las facilidades y ventajas del IMPRES	12
Módulo de pantalla del cargador (CDM).....	13
Información general sobre la pantalla	13
Diagramas de secuencias para las baterías IMPRES.....	18
Orientación del texto del visualizador	20

INSTRUCCIONES IMPORTANTES DE SEGURIDAD

GUARDE ESTAS INSTRUCCIONES

Este documento contiene importantes instrucciones de seguridad y de operación. Por favor, léalas detenidamente y guárdelas como referencia futura.

Antes de usar el cargador de batería, lea todas las instrucciones y señales de advertencia que aparecen en (1) el cargador, (2) la batería y (3) el radio que usa la batería.



ADVERTENCIA

1. Para reducir el peligro de lesiones, cargue solamente las baterías recargables aprobadas por Motorola que aparecen en la Tabla 4. Baterías de otro tipo podrían explotar y producir lesiones personales y daños.
2. El uso de accesorios no recomendados por Motorola puede ocasionar incendios, choques eléctricos o lesiones.
3. Para reducir la posibilidad de daños al cable y al enchufe eléctricos, tire del enchufe y no del cable al desconectar el cargador.
4. No debe usarse cable de extensión, salvo que sea absolutamente necesario. Al usar un cable de extensión inadecuado se corre peligro de incendio y choque eléctrico. Si es necesario usar un cable de extensión, asegúrese de que el calibre del cable sea 18 AWG para longitudes de hasta 30,48 metros (100 pies) y 16 AWG para longitudes de hasta 45,72 metros (150 pies).
5. Para reducir el peligro de incendio, choque eléctrico o lesiones, no use el cargador si está roto o si presenta algún tipo de daño. Llévelo a un centro de servicio autorizado Motorola.
6. El cargador autoadaptable múltiple IMPRES únicamente podrá ser reparado por un técnico de servicio calificado que esté debidamente autorizado por Motorola. La violación de esta disposición podría anular la garantía de la unidad.



7. Para reducir el peligro de choque eléctrico, desenchufe el cargador del tomacorriente de corriente alterna antes de limpiarlo o de hacerle mantenimiento.

ADVERTENCIA

8. Al cambiar el fusible, cerciőrese de que sea del mismo tipo y corriente nominal que se indica en la etiqueta del cargador. Reempl celo por un fusible Cooper-Bussman GDC-3.15 o por uno equivalente debidamente aprobado. Las siguientes partes pueden ser adquiridas a trav s de la Divisi n de Productos y Servicios de Radio de Motorola (1-800-422-4210 [EE.UU. y Canad ] o +1-847-538-8023 [internacional]):

Fusible	6571489S01
Cubierta	0987739G01

9. Este es un producto de clase A. En un ambiente dom stico este producto puede causar radio interferencia, en cuyo caso puede requerirse que el usuario tome medidas al efecto.

NORMAS DE SEGURIDAD EN LA OPERACI N

- Apague el radio para cargar la bater a.
- Este equipo no est  dise ado para uso al aire libre.  selo  nicamente en lugares secos.
- Conecte la unidad a un tomacorriente del voltaje apropiado (seg n las especificaciones que aparecen en la etiqueta del producto), correctamente instalado y con la debida protecci n de sobrecorriente.
- Para desconectar la alimentaci n, desenchufe del tomacorriente el cable de alimentaci n.
- El tomacorriente debe estar ubicado cerca de la unidad, en un lugar f cilmente accesible.
- Los fusibles de repuesto deber n corresponder al tipo y corriente nominal que se especifican en las instrucciones del equipo.
- La temperatura ambiental m xima alrededor del cargador no debe exceder los 40  C (104  F).
- Aseg rese de que el cable quede en una posici n donde no puedan pisarlo, donde no pueda provocar un trasp , y donde est  protegido del agua, da o o tensi n mec nica.
- Esta unidad emplea el mismo soporte para montaje en pared que el cargador m ltiple NTN4796. El n mero de parte del soporte para montaje en pared es NLN7967.

INSTRUCCIONES DE OPERACIÓN

El sistema cargador autoadaptable IMPRES es un sistema automatizado para el cuidado de las baterías. Todo lo que el usuario necesita hacer es seguir estos sencillos pasos:

1. Coloque el radio o la batería IMPRES en el cargador.
2. Retire el radio o la batería IMPRES una vez que estén completamente cargados (el LED se pone VERDE continuo).

Las cavidades del cargador pueden aceptar ya sea un radio con una batería IMPRES instalada, o bien una batería IMPRES sola. **Antes de cargar una batería IMPRES instalada en un radio, apague el radio.** Las baterías se cargan mejor a temperatura ambiente.

Procedimiento de carga

1. Enchufe uno de los extremos del cable de alimentación en el receptáculo de alimentación ubicado en la parte posterior del cargador.
2. Enchufe el otro extremo del cable de alimentación al tomacorriente de CA correspondiente. Una vez que el cargador ejecuta correctamente la secuencia inicial de encendido su LED indicador emite un **BREVE DESTELLO VERDE**.
3. Inserte una batería IMPRES, o un radio con batería IMPRES (**el radio deberá estar apagado**), en la cavidad del cargador. Para ello:
 - a. Alinee las ranuras ubicadas a cada lado de la batería con sus respectivas guías dispuestas a cada lado de la cavidad del cargador.
 - b. Presione la batería hacia la parte posterior de la cavidad.
 - c. Deslice la batería hacia dentro de la cavidad del cargador; asegúrese de que los terminales del cargador y de la batería hagan buen contacto.
4. Use las dos manos para retirar el radio o la batería de la cavidad del cargador: sujete con una mano el cargador, y con la otra retire el radio o la batería.

Una vez que la batería IMPRES quede correctamente encajada dentro de la cavidad, el indicador de carga se ilumina para indicar que el cargador ha detectado la presencia de la batería. Consulte los indicadores de carga en la Tabla 1.

Tabla 1. Indicadores de carga de la batería IMPRES

Indicador de carga	Descripción
<i>Breve destello verde</i>	El cargador ejecutó correctamente la secuencia inicial de encendido.
<i>Rojo continuo</i>	La batería está en el modo de carga rápida.
<i>Verde intermitente</i>	La batería completó la carga rápida (más del 90% de la capacidad disponible). La batería está en régimen de carga lenta.
<i>Verde continuo</i>	El proceso de carga ha terminado y la batería está completamente cargada.
<i>Anaranjado intermitente</i>	La batería fue detectada por el cargador y está esperando para ser cargada. (El proceso de carga no ha comenzado porque el voltaje de la batería es demasiado bajo, o porque su temperatura es demasiado baja o demasiado alta. Una vez corregido el estado de la batería comienza automáticamente el proceso de carga).
<i>Rojo intermitente</i>	La batería no admite carga o no está haciendo buen contacto.
<i>Anaranjado continuo</i>	(Esta facilidad sólo la ofrecen las baterías IMPRES) La batería está en el modo de reacondicionamiento o de inicialización. El tiempo que el cargador permanece en este modo depende de la carga que tenga la batería antes de ser insertada. (El reacondicionamiento de las baterías completamente cargadas demora más tiempo (de 8 a 12 horas o más) que el de las baterías completamente descargadas).
<i>Rojo / verde intermitente</i>	(Esta facilidad sólo la ofrecen las baterías IMPRES) El proceso de carga ha terminado y la batería está completamente cargada. La batería puede seguirse usando pero se está acercando al final de su vida útil.

INICIALIZACIÓN

Para aprovechar plenamente las facilidades de las baterías IMPRES de Motorola y el sistema de carga autoadaptable, el cargador tiene que inicializar los datos contenidos en dichas baterías la primera vez que éstas se cargan. Este modo se indica con el LED indicador en **ANARANJADO CONTINUO** (igual que cuando la batería se está reacondicionando). El proceso es automático, incluye un reacondicionamiento inicial de la batería y la carga se inicia tras completarse dicho proceso. Este proceso requiere tiempo para inicializar la batería. Por esa razón, hay que dejar la batería en el cargador aproximadamente 12 horas hasta que finalice el proceso. No retire la batería del cargador hasta que el LED se ponga **VERDE CONTINUO**.

RECONDICIONAMIENTO AUTOMÁTICO

El cargador autoadaptable IMPRES de Motorola, cuando se usa junto con una batería IMPRES de Motorola, tiene la capacidad de determinar cuándo es procedente el reacondicionamiento de la batería (necesario para eliminar el efecto de memoria de las baterías IMPRES).

Cuando una batería IMPRES se inserta correctamente en el cargador, éste último determina si es procedente el reacondicionamiento de la batería. Si la batería necesita ser reacondicionada el cargador se torna automáticamente **ANARANJADO CONTINUO**. Este proceso puede durar hasta 12 horas, dependiendo del estado de carga y de la capacidad de carga de la batería cuando se inserta en el cargador.

Es importante tener presente que, para que este proceso sea eficaz, es necesario dejar que la batería IMPRES concluya el proceso de reacondicionamiento / carga. Deje la batería en el cargador hasta que el LED indicador se torne **VERDE CONTINUO**.

Al completarse el ciclo de reacondicionamiento, el cargador automáticamente recarga la batería IMPRES.

Terminación manual del proceso de reacondicionamiento

En cualquier momento durante el proceso de reacondicionamiento de una batería IMPRES de Motorola (indicador **ANARANJADO CONTINUO**), se puede terminar el reacondicionamiento con sólo retirar y reinsertar en el cargador la batería en un lapso de 5 segundos. Esto hace que el cargador termine el proceso de reacondicionamiento y comience el proceso de carga. El LED indicador se torna **ROJO CONTINUO**. El cargador intentará reacondicionar la batería la próxima vez que sea insertada.

Iniciación manual del proceso de reacondicionamiento

Antes de los 2,5 minutos de la inserción inicial de una batería IMPRES (el LED indicador permanece en **ROJO CONTINUO**), retire y reinserte la batería en un lapso de 5 segundos para forzar manualmente su reacondicionamiento. El indicador del cargador cambia de **ROJO CONTINUO** a **ANARANJADO CONTINUO**. Lo anterior fuerza al cargador al modo de reacondicionamiento y automáticamente se recarga la batería. Esta facilidad es útil cuando las baterías IMPRES han estado guardadas por varios meses. Puede que se requieran dos o tres ciclos de reacondicionamiento manual para rejuvenecer las baterías, por haber estado largo tiempo almacenadas.

RESOLUCIÓN DE PROBLEMAS

Durante el diagnóstico y resolución de problemas, siempre preste atención al color del LED.

Tabla 2. Resolución de problemas

Problema	Qué significa	Qué hacer
El cargador no muestra indicación alguna	<ol style="list-style-type: none">1a. Mal contacto con el cargador.1b. No llega energía eléctrica al cargador.	<ol style="list-style-type: none">1a. Compruebe que esté debidamente insertado el radio con batería o la batería sola.1b.<ul style="list-style-type: none">• Compruebe que el cable de alimentación esté bien enchufado al cargador y a un tomacorriente de CA adecuado, y que el tomacorriente esté energizado.• Reemplace los fusibles.

Tabla 2. Resolución de problemas (cont.)

Problema	Qué significa	Qué hacer
Indicación en rojo intermitente	<p>2a. Mal contacto con el cargador.</p> <p>2b. La batería no se puede cargar.</p>	<p>2a.</p> <ul style="list-style-type: none">• Retire la batería del cargador y vuelva a insertarla en el cargador.• Verifique que la batería sea una de las aprobadas por Motorola en la lista de la Tabla 4. Otras baterías probablemente no podrán ser cargadas.• Desconecte del cargador el cable de alimentación y limpie con un paño limpio y seco los terminales de contacto del cargador y de la batería. <p>2b. Reinstale la batería.</p>
Indicador anaranjado intermitente	<p>3. La batería está esperando para ser cargada. Probablemente la temperatura de la batería está por debajo de 5 °C (41 °F) o por encima de 40 °C (104 °F), o el voltaje está por debajo del nivel umbral prefijado para carga rápida.</p>	<p>3. Una vez corregido el estado de la batería comienza el proceso de carga automáticamente.</p>

SERVICIO

El cargador autoadaptable múltiple IMPRES únicamente podrá ser reparado por un técnico de servicio calificado que esté debidamente autorizado por Motorola. La violación de esta disposición anulará la garantía de la unidad. Para obtener más información sobre el mantenimiento del cargador múltiple y del módulo de pantalla del cargador, consulte el manual de servicio del cargador, identificado con el número de referencia 6871357L01.

Para reparaciones en los EE.UU., comuníquese con el siguiente centro de servicio. Sírvase llamar y obtener información para devolución antes de enviar la unidad al centro de servicio.

Motorola Service Center

2200 Galvin Drive

Elgin, IL 60123, U.S.A.

1-800-422-4210 (EE.UU. y Canadá)

+1-847-538-8023 (internacional)

Para reparaciones en Europa, Medio Oriente y África, comuníquese con el siguiente centro de servicio. Sírvase llamar y obtener información para devolución antes de enviar la unidad al centro de servicio.

Motorola Service Center

Motorola GmbH

Customer Care

Am Borsigturm 130

13507 Berlin

Germany

Tel: +49 30 6686 1555

CABLES DE ALIMENTACIÓN APROBADOS POR MOTOROLA

Este cargador fue diseñado para aplicaciones entre 100 V CA y 240 V CA, 50 / 60 Hz, y se usa con los siguientes cables de alimentación Motorola.

Tabla 3. Cables de alimentación Motorola

Tipo de enchufe	Kit del cargador	Kit del cargador (modelo con pantalla)	Cable de alimentación
Sin cable ni enchufe	WPLN4211/B	WPLN4218/B	Ninguno
EE.UU.	WPLN4212/B	WPLN4219/B	3087791G01
Europa	WPLN4213/B	WPLN4220/B	3087791G04
Reino Unido	WPLN4214/B	WPLN4221/B	3087791G07
Australia / Nueva Zelanda	WPLN4215/B	WPLN4222/B	3087791G10
Argentina	WPLN4216/B	WPLN4223/B	3087791G13
Corea	WPLN4217/B	WPLN4224/B	3087791G16
Híbrido para Europa, Medio Oriente y África	WPLN4237/B	WPLN4238/B	3087791G01
EE.UU. / Norteamérica con 6 cavidades / una pantalla	Ninguno	WPLN4239/B	3087791G01
Japón	PMLN5256/B	Ninguno	Ninguno
Brazil	WPLN4277/B	WPLN4278/B	3087791G22

BATERÍAS APROBADAS POR MOTOROLA

En las tablas siguientes se presentan las baterías que pueden ser usadas con los radios de abonado especificados en los encabezamientos de las tablas.

Tabla 4. Baterías estándar e IMPRES para los radios digitales profesionales

Kit (NP)	Composición química	FMRC	IMPRES
PMNN4065	NiMH	No	No
PMNN4066	iones de litio	No	Sí
PMNN4069	iones de litio	Sí	Sí
PMNN4077	iones de litio	No	Sí
PMNN4101	iones de litio	No	Sí
PMNN4102	iones de litio	Sí	Sí
PMNN4103	iones de litio	No	Sí
PMNN4104	NiMH	No	No
PMNN4406	iones de litio	No	No
PMNN4407	iones de litio	No	Sí
PMNN4409	iones de litio	No	Sí
PMNN4412	NiMH	No	No
PMNN4415	NiMH	No	No
PMNN4416	iones de litio	No	No
PMNN4417	iones de litio	No	Sí
PMNN4418	iones de litio	No	Sí
PMNN4424	iones de litio	No	Sí
NNTN8128	iones de litio	No	Sí
NNTN8129	iones de litio	Sí	Sí
NNTN8305	iones de litio	No	Sí

NOTA:

la batería NNTN8305 solo es compatible con MUC revisión B y posteriores.

Tabla 5. Baterías estándar e IMPRES para los radios MOTOTRBO (XPR 7550 Ex, DP 4801 Ex, DP 4401 Ex, XiR P8668 Ex, XiR P8608 Ex, DGP 8550 Ex, DGP 8050 Ex)

Kit (NP)	Composición química	FMRC	IMPRES
NNTN8359	Li-Ion	No; ATEX	Sí

Nota: Si la luz indicadora de carga en el cargador siempre indica una batería defectuosa o difieren de las que se encuentran en la Tabla 1, ya no se permite la utilización de la batería en el entorno peligroso.

DESCRIPCIÓN DE LAS FACILIDADES Y VENTAJAS DEL IMPRES

La solución de energía IMPRES es un avanzado sistema desarrollado por Motorola que acepta baterías con tres tipos de composición química, y está compuesto de (a) baterías IMPRES, (b) el cargador autoadaptable múltiple IMPRES, y (c) el hardware / software del radio que permite a los radios compatibles comunicarse con las baterías IMPRES.

Cuando el cargador autoadaptable múltiple IMPRES se usa junto con las baterías IMPRES de Motorola:

1. Maximiza el tiempo de funcionamiento entre ciclos de carga al eliminar automáticamente el efecto de memoria.
2. Maximiza la vida útil de la batería ya que se reduce considerablemente el calor generado durante los ciclos de carga lenta y carga de mantenimiento.
3. Elimina la necesidad de adquirir equipo de reacondicionamiento y de adiestrar al personal para las "tareas de mantenimiento de baterías".

Con este exclusivo enfoque de sistema patentado, no hay necesidad de registrar datos sobre el uso de las baterías IMPRES, de efectuar ciclos de reacondicionamiento manuales ni de retirar las baterías de los cargadores una vez que se cargan.

El cargador autoadaptable múltiple IMPRES monitorea el patrón de utilización de la batería IMPRES, guarda esa información en la batería IMPRES y ejecuta un ciclo de reacondicionamiento sólo cuando es necesario.

El cargador autoadaptable múltiple IMPRES impide que la batería IMPRES se recaliente, independientemente del tiempo que permanezca en la cavidad. El cargador monitorea la batería y automáticamente cambia al régimen de carga lenta en el momento preciso.

MÓDULO DE PANTALLA DEL CARGADOR (CDM)

Las prestaciones del cargador autoadaptable múltiple IMPRES se pueden aumentar mediante la adición de un módulo de pantalla (CDM). Pida e instale el módulo identificado por el n° de parte Motorola RLN5382.

Información general sobre la pantalla

El cargador autoadaptable múltiple IMPRES con CDM proporciona al usuario una valiosa información durante las labores de mantenimiento y cuidado de las baterías. La información presentada por el cargador y por los LED indicadores correspondientes se describen detalladamente en las tablas siguientes.

Arranque

Tras encender el cargador

LED	BREVE DESTELLO VERDE
Línea 1	IMPRES
Línea 2	

Si no hay una batería en la cavidad

LED	APAGADO
Línea 1	NO BATTERY (no hay batería)
Línea 2	

Lectura de datos de la batería

LED	Cualquier indicación definida
Línea 1	READING (Leyendo)
Línea 2	BATTERY DATA (datos de la batería)

Con batería no IMPRES en la cavidad

LED	Definido por el estado de la carga
Línea 1	NON-IMPRES (no Impres)
Línea 2	BATTERY (batería)

Con batería IMPRES en la cavidad

Aparecen en pantalla las versiones de software y de IMPRES

LED	Definido por el estado de la carga
Línea 1	IMPRES
Línea 2	SW xx.yy; aa.bb

NOTA:

xx.yy denota la versión de software del cargador, mientras que aa.bb denota la versión de software del CDM.

Aparecen en pantalla el n° de serie y el n° de kit de la batería IMPRES (Para una mejor identificación, cada batería IMPRES muestra un n° de serie único).

LED	Definido por el estado de la carga
Línea 1	KIT# ----- (n° de kit)
Línea 2	SN: ----- (n° de serie)

Aparecen en pantalla el n° de kit y la composición química de la batería IMPRES

LED	Definido por el estado de la carga
Línea 1	KIT# ----- (n° de kit)
Línea 2	----CHEMISTRY (composición química)

N° de ciclos previstos antes de que se realice un reacondicionamiento automático

LED	Definido por el estado de la carga
Línea 1	---CYCLES (ciclos)
Línea 2	TO RECONDITION (antes del reacondicionamiento)

* Aparece en pantalla sólo cuando la cantidad estimada de ciclos antes del próximo ciclo de reacondicionamiento es menor que seis.

El cargador está esperando para cargar; la batería está caliente.

LED	ANARANJADO intermitente
Línea 1	WAITING TO CHG (en espera para cargar)
Línea 2	HOT BATTERY (batería caliente)

El cargador está esperando para cargar; la batería está fría.

LED	ANARANJADO intermitente
Línea 1	WAITING TO CHG (en espera para cargar)
Línea 2	COLD BATTERY (batería fría)

El cargador está esperando para cargar; el voltaje está bajo.

LED	ANARANJADO intermitente
Línea 1	WAITING TO CHG (en espera para cargar)
Línea 2	LOW VOLTAGE (bajo voltaje)

NOTA:

No necesariamente aparecerán todas las pantallas antes mostradas. Por ejemplo, la pantalla que indica que el cargador está esperando (ya sea porque la batería está caliente o fría, o porque el voltaje está bajo) aparecerá únicamente cuando la situación lo justifique.

El cargador está en el modo de carga rápida

LED	ROJO continuo
Línea 1	RAPID CHARGE (carga rápida)
Línea 2	

El cargador está en el modo de carga lenta

LED	VERDE intermitente
Línea 1	TRICKLE CHARGE (carga lenta)
Línea 2	

Batería completamente cargada

LED	VERDE continuo o ROJO / VERDE intermitente
Línea 1	CHARGE COMPLETE (carga completa)

Batería completamente cargada

Línea 2	
---------	--

El cargador está en el modo de descarga / reacondicionamiento

LED	ANARANJADO continuo
Línea 1	DISCHARGE (descarga)
Línea 2	

El cargador está calibrando una batería IMPRES

LED	ANARANJADO continuo, ROJO continuo, y ANARANJADO o VERDE intermitente
Línea 1	Calibrating (calibrando)
Línea 2	Batería

LED	VERDE continuo
Línea 1	Batería
Línea 2	Calibrated (calibrada)

** Todas las baterías IMPRES deben ser calibradas antes de usarse por primera vez. Los cargadores IMPRES realizan automáticamente la calibración de todas las baterías nuevas*

Los datos de capacidad de la batería se indican en “%”, mA^H y voltaje (baterías IMPRES solamente).

LED	Definido por el estado de la carga
Línea 1	---% RATED CAP. (% de la capacidad nominal)
Línea 2	---mA ^H --.-V

Capacidad estimada después de la carga (baterías IMPRES solamente).

LED	Definido por el estado de la carga
Línea 1	EST CAP AFTER (capacidad estimada después de)
Línea 2	CHARGE xx% (una carga de xx%)

NOTA:

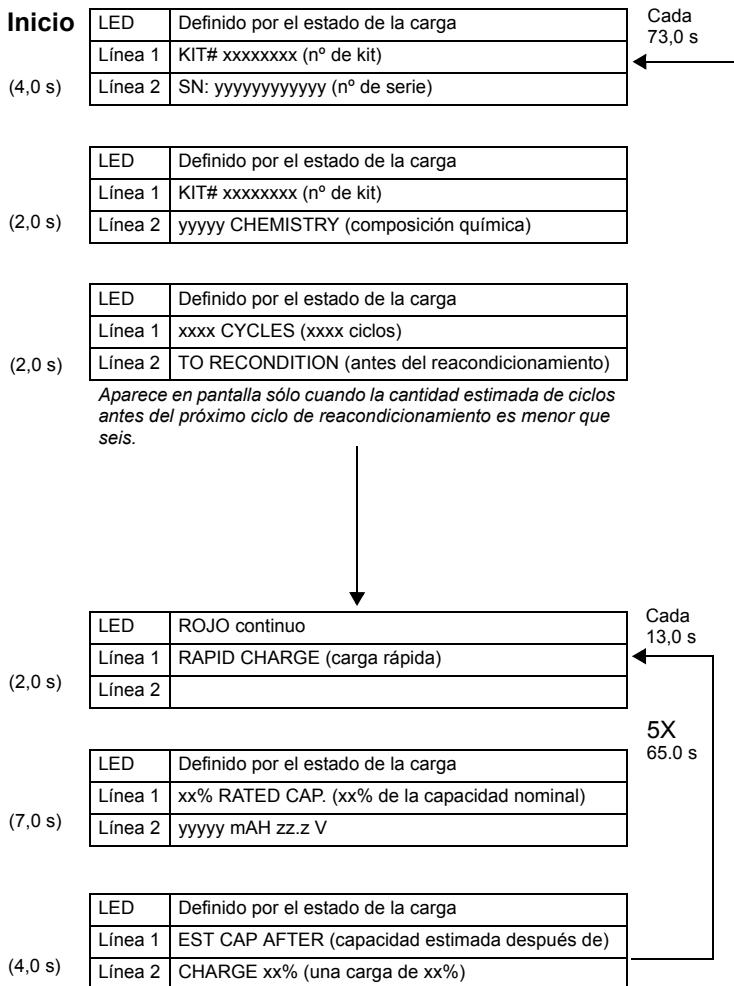
Si una batería IMPRES completamente cargada se inserta inmediatamente en una cavidad diferente, es posible que muestre una capacidad inicial ligeramente menor, debido a las estimaciones de la merma natural de carga. El cargador corrige esta desviación cuando la batería se carga completamente en la nueva cavidad, lo que normalmente ocurre después de unos pocos minutos.

NOTA:

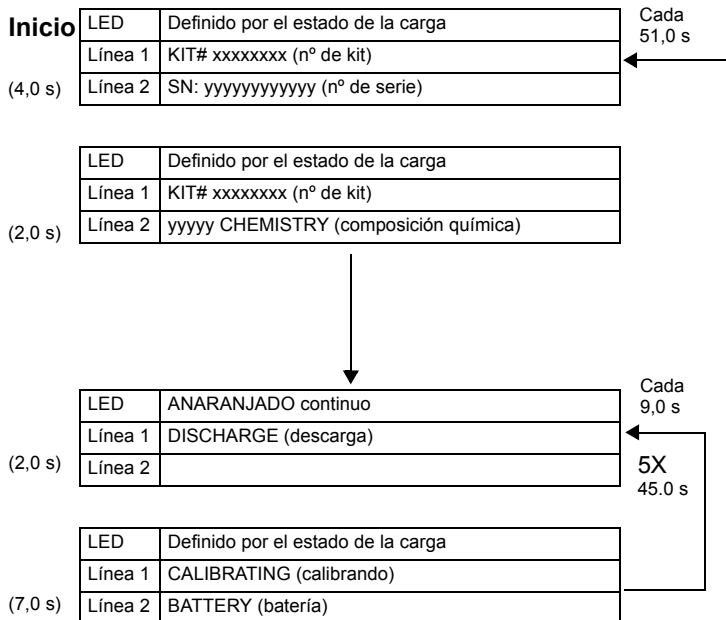
- (1) El tiempo estimado para completar la carga rápida puede incluir el tiempo restante requerido para completar un ciclo de descarga, más el tiempo requerido para completar un ciclo de carga rápida.
- (2) Con baterías no calibradas posiblemente no se muestre la información de capacidad de la batería.
- (3) El uso de baterías IMPRES con cargadores que no sean IMPRES puede afectar la exactitud en la determinación de la capacidad y del tiempo de carga.
- (4) El uso de paquetes de baterías IMPRES no calibradas puede afectar la exactitud en la determinación del tiempo de carga.

Diagramas de secuencias para las baterías IMPRES

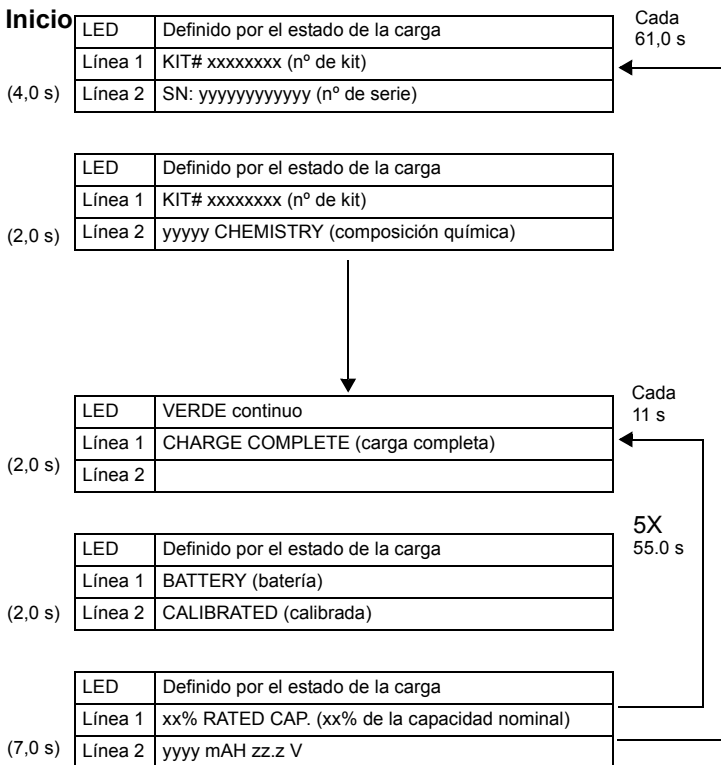
Secuencia de indicaciones en pantalla para las baterías de iones de litio



Antes de la calibración:



Después de la calibración:



Orientación del texto del visualizador

Para poder montar el Cargador de unidad única adaptable IMPRES sobre un escritorio o una pared, el CDM se ha equipado con una función especial que permite “girar” el texto del visualizador 180 grados.

Para lograr esto, coloque un clip sujetapapeles en el agujerito que se encuentra debajo del visualizador perpendicular al escritorio. El sonido “clic” indica que el botón se ha activado para girar el texto 180 grados.

MOTOROLA, MOTO, MOTOROLA SOLUTIONS y el logotipo estilizado M son marcas de fábrica o marcas registradas de Motorola Trademark Holdings, LLC y son usadas bajo licencia. Todas las demás marcas registradas son la propiedad de sus dueños respectivos.

© 2007, 2010 – 2012 Motorola Solutions, Inc. Todos los derechos están reservados.

CONTEÚDO

Normas de segurança na operação	3
Instruções de operação	4
Procedimento de carga	4
Inicialização	5
Recondicionamento automático	6
Encerramento manual do processo de recondicionamento	6
Inicialização manual do processo de recondicionamento	6
Resolução de problemas	7
Serviço	8
Cabos de alimentação aprovados pela Motorola	9
Baterias aprovadas pela Motorola	10
Descrição das características e vantagens do IMPRES	11
Módulo de tela do carregador (CDM)	12
Informações gerais sobre a tela	12
Diagramas de seqüências para as baterias IMPRES	17
Orientação do texto do visor	20

INSTRUÇÕES IMPORTANTES DE SEGURANÇA GUARDE ESTAS INSTRUÇÕES

Este documento contém importantes instruções de segurança e de operação. Queira por favor lê-las atentamente e guardá-las para referência futura.

Antes de usar o carregador de bateria, procure ler todas as instruções e indicações de advertência que aparecem (1) no carregador, (2) na bateria e (3) no rádio que usa a bateria.



ADVERTÊNCIA

1. Para reduzir o risco de ferimentos, carregue somente as baterias recarregáveis aprovadas pela Motorola que aparecem na Tabela 4. Baterias de outro tipo podem explodir e causar ferimentos pessoais e danos.
2. O uso de acessórios não recomendados pela Motorola poderá acarretar incêndios, choques elétricos ou ferimentos.
3. Para reduzir a possibilidade de danos ao cabo de alimentação e à tomada elétrica, desconecte o carregador removendo da tomada e não do cabo.
4. Não se deve usar cabo de extensão, exceto se for absolutamente necessário. O uso de um cabo de extensão inadequado pode causar risco de incêndio e de choque elétrico. Se for necessário usar um cabo de extensão, certifique-se de que seja um cabo 18 AWG para comprimentos de até 30,48 metros (100 pés), ou 16 AWG para comprimentos de até 45,72 metros (150 pés).
5. Para reduzir o perigo de incêndio, choque elétrico ou ferimentos, não use o adaptador se o mesmo estiver quebrado ou se apresentar algum defeito. Leve-o a um centro de serviço autorizado Motorola.
6. O carregador auto-adaptável múltiplo IMPRES somente poderá ser consertado por um técnico de serviço qualificado que esteja devidamente autorizado pela Motorola. A violação deste dispositivo poderá acarretar na anulação da garantia do produto.



7. Para reduzir o risco de incêndio ou de choque elétrico, desconecte o carregador da tomada de corrente alternada quando for fazer limpeza ou manutenção.

ADVERTÊNCIA

8. Ao trocar o fusível, certifique-se de que se trata de um fusível do mesmo tipo e de mesma corrente nominal, conforme indicada na etiqueta do carregador. Substitua por um fusível Cooper-Bussman GDC-3.15 ou por um equivalente devidamente aprovado. As peças a seguir podem ser adquiridas junto à Divisão de Produtos e Serviços de Rádio da Motorola (1-800-422-4210 [EUA e Canadá] ou +1-847-538-8023 [internacional]):

Fusível 6571489S01
Cobertura 0987739G01

9. Este é um produto classe A. Em um ambiente doméstico este produto pode causar rádio interferência, o qual pode requerer que o tome medidas de precaução.

NORMAS DE SEGURANÇA NA OPERAÇÃO

- Desligue o rádio ao efetuar o carregamento da bateria.
- Este equipamento não foi projetado para se utilizar ao ar livre. Use-o somente em ambientes secos.
- Faça a conexão da unidade a uma tomada elétrica da tensão correta (conforme as especificações constantes na etiqueta do produto) e que esteja devidamente instalada e com proteção contra sobrecarga.
- Para desconectar a alimentação elétrica, retire o cabo de alimentação da tomada.
- A tomada elétrica deve estar próxima do equipamento, em um local facilmente acessível.
- Os fusíveis de reposição devem corresponder ao tipo e à corrente nominal conforme especificado nas instruções do equipamento.
- A temperatura ambiente máxima em torno do carregador não deve exceder 40 °C (104 °F).
- Certifique-se de que o cabo de alimentação não esteja colocado onde possa ser pisado ou onde possa ocasionar um tropeço, e que esteja protegido contra água ou tensão mecânica.
- Esta unidade utiliza o mesmo suporte para montagem em parede utilizado pelo carregador múltiplo NTN4796. O número de peça do suporte para montagem em parede é NLN7967.

INSTRUÇÕES DE OPERAÇÃO

O sistema carregador auto-adaptável IMPRES é um sistema automatizado para o cuidado com as baterias. Tudo o que o usuário necessita fazer é seguir estas etapas simples:

1. Coloque o rádio ou a bateria IMPRES no carregador.
2. Retire o rádio ou a bateria IMPRES uma vez que estejam completamente carregados (o LED ficará na cor VERDE contínua).

As cavidades do carregador podem aceitar um rádio com a bateria IMPRES instalada ou uma bateria IMPRES isolada. **Antes de carregar uma bateria IMPRES instalada em um rádio, desligue primeiro o rádio.** As baterias são melhor carregadas estando à temperatura ambiente.

Procedimento de carga

1. Conecte uma das extremidades do cabo de alimentação junto ao recipiente de alimentação localizado na parte posterior do carregador.
2. Conecte a outra extremidade do cabo de alimentação a uma tomada de CA apropriada. Uma vez que o carregador execute corretamente a seqüência inicial de inicialização, seu LED indicador emite um **BREVE PISCAR VERDE**.
3. Insira uma bateria IMPRES, ou um rádio com bateria IMPRES (**o rádio deverá estar desligado**), na cavidade do carregador. Para isto, proceda da seguinte maneira:
 - a. Alinhe as ranhuras localizadas em cada lado da bateria com suas respectivas guias dispostas em cada lado da cavidade do carregador.
 - b. Pressione a bateria até a parte posterior da cavidade.
 - c. Deslize a bateria até o interior da cavidade do carregador; assegure-se de que os terminais do carregador e da bateria estejam em contato firme.
4. Para retirar um rádio ou uma bateria IMPRES do carregador, use ambas as mãos para remover o rádio ou a bateria da cavidade do carregador. Segure o carregador com uma das mãos e com a outra retire o rádio ou a bateria.

Uma vez estando a bateria IMPRES corretamente encaixada no interior da cavidade, o indicador de carga se acende para indicar que o carregador detectou a presença da bateria. Consulte os indicadores de carga na Tabela 1.

Tabela 1. Indicadores de carga da bateria IMPRES

Indicador de carga	Descrição
<i>Breve piscar verde</i>	O carregador executou corretamente a seqüência inicial de ativação.
<i>Vermelho contínuo</i>	A bateria se encontra em modo de carga rápida.
<i>Verde intermitente</i>	A bateria completou a carga rápida (mais de 90% da capacidade disponível). A bateria se encontra em regime de carga lenta.
<i>Verde contínuo</i>	O processo de carga foi concluído e a bateria está completamente carregada.
<i>Laranja intermitente</i>	A bateria foi detectada pelo carregador e está aguardando para ser carregada. (O processo de carga não foi iniciado por que a tensão da bateria está demasiado baixa ou por que sua temperatura se encontra muito alta ou muito baixa. Uma vez corrigido o estado da bateria, o processo de carga terá início automaticamente).
<i>Vermelho intermitente</i>	A bateria não admite carga ou não está havendo um bom contato.
<i>Laranja contínuo</i>	(Este recurso somente é oferecido pelas baterias IMPRES) A bateria se encontra no modo de condicionamento ou de inicialização. O tempo que o carregador permanece neste modo depende da carga remanescente da bateria antes da mesma ser inserida. (O condicionamento das baterias completamente carregadas demora mais tempo (8 a 12 horas ou mais) do que o das baterias completamente sem carga).
<i>Vermelho / verde intermitente</i>	(Este recurso somente é oferecido pelas baterias IMPRES) O processo de carga foi concluído e a bateria está completamente carregada. A bateria pode continuar a ser usada, porém ela já se encontra próxima do final de sua vida útil.

INICIALIZAÇÃO

Para aproveitar plenamente os recursos das baterias IMPRES da Motorola e o sistema de carga auto-adaptável, o carregador deve inicializar os dados contidos nas referidas baterias quando estas forem carregadas pela primeira vez. Este modo de operação fica indicado pelo LED na cor **LARANJA CONTÍNUA** (idêntico àquele que indica que a bateria está sendo recondicionada). O processo é automático, inclui um condicionamento inicial da bateria e a carga se inicia uma vez concluído este processo. O processo requer tempo para a inicialização da bateria. Devido a isso, é necessário deixar a bateria no carregador

durante aproximadamente 12 horas até a finalização do processo. Não retire a bateria do carregador até que o LED fique na cor **VERDE CONTÍNUA**.

RECONDICIONAMENTO AUTOMÁTICO

O carregador auto-adaptável IMPRES da Motorola, quando usado conjuntamente com uma bateria IMPRES da Motorola, possui o recurso para determinar quando é apropriado fazer o recondicionamento da bateria (necessário para remover o efeito memória das baterias IMPRES).

Quando uma bateria IMPRES é inserida corretamente no carregador, este último determina se é apropriado efetuar o recondicionamento da bateria. Se a bateria necessitar de recondicionamento, o carregador se tornará automaticamente **LARANJA CONTÍNUO**. Este processo pode durar até 12 horas, dependendo do estado de carga e da capacidade de carga da bateria quando a mesma é inserida no carregador.

É importante ter presente que, para que este processo seja eficiente, é necessário que se permita que a bateria IMPRES conclua o processo de recondicionamento / carga. Deixe a bateria no carregador até que o LED indicador se torne **VERDE CONTÍNUO**.

Ao se concluir o ciclo de recondicionamento, o carregador faz automaticamente a recarga da bateria IMPRES.

Encerramento manual do processo de recondicionamento

A qualquer momento durante o processo de recondicionamento de uma bateria IMPRES da Motorola (indicador na cor **LARANJA CONTÍNUA**), será possível terminar o recondicionamento, bastando para isto retirar e reinserir a bateria no carregador em um intervalo de tempo de 5 segundos. Isto faz com que o carregador encerre o processo de recondicionamento e inicie o processo de carga. O LED indicador se torna **VERMELHO CONTÍNUO**. O carregador tentará recondicionar a bateria na próxima vez em que ela for inserida.

Inicialização manual do processo de recondicionamento

Antes dos 2,5 minutos da inserção inicial de uma bateria IMPRES (o LED indicador permanece **VERMELHO CONTÍNUO**), retire e reinsira a bateria dentro de um intervalo de tempo de 5 segundos de modo a forçar manualmente o seu recondicionamento. O indicador do carregador altera de **VERMELHO CONTÍNUO para LARANJA CONTÍNUO**. O procedimento anterior força o carregador a entrar no modo de

recondicionamento e faz automaticamente a recarga da bateria. Esse recurso é útil quando as baterias IMPRES permanecem armazenadas por vários meses. Pode ser que sejam necessários dois ou três ciclos de recondicionamento manual para rejuvenescer as baterias, devido ao longo período de tempo de armazenamento.

RESOLUÇÃO DE PROBLEMAS

Durante o diagnóstico e resolução de problemas, deve-se sempre prestar a atenção à cor do LED.

Tabela 2. Resolução de problemas

Problema	O que significa	O que fazer
O carregador não mostra indicação alguma	<p>1a. Mal contato com o carregador.</p> <p>1b. A energia elétrica não chega até o carregador.</p>	<p>1a. Verifique se o rádio com a bateria, ou a bateria isoladamente, está devidamente inserido.</p> <p>1b. <ul style="list-style-type: none"> • Verifique se o cabo de alimentação está bem conectado no carregador e em uma tomada de CA adequada, e se a tomada possui energia elétrica. • Substitua os fusíveis </p>
Indicação em vermelho intermitente	<p>2a. Mal contato com o carregador.</p> <p>2b. A bateria não pode ser carregada.</p>	<p>2a. <ul style="list-style-type: none"> • Retire a bateria do carregador e insira-a novamente no carregador. • Verifique se a bateria é uma das baterias aprovadas pela Motorola, constantes da lista da Tabela 4. Outras baterias provavelmente não poderão ser carregadas. • Desconecte do carregador o cabo de alimentação e limpe com um pano limpo e seco os terminais de contato do carregador e da bateria. </p> <p>2b. Reinstale a bateria.</p>

Tabela 2. Resolução de problemas (cont.)

Problema	O que significa	O que fazer
Indicador intermitente na cor laranja	3. A bateria está aguardando para ser carregada. Provavelmente a temperatura da bateria se encontra abaixo de 5 °C (41 °F) ou acima de 40 °C (104 °F), ou então a tensão se encontra abaixo do limiar prefixado para carga rápida.	3. Uma vez corrigido o estado da bateria, o processo de carga terá início automaticamente.

SERVIÇO

O carregador auto-adaptável múltiplo IMPRES somente poderá ser consertado por um técnico de serviço qualificado que esteja devidamente autorizado pela Motorola. A violação deste dispositivo irá acarretar na anulação da garantia do produto. Para obter informações sobre a manutenção do carregador múltiplo e do módulo de tela do carregador, consulte o manual de serviço do carregador, identificado com o número de referência 6871357L01.

Para serviços de reparos nos Estados Unidos, entre em contato com seguinte centro de serviço. Queira entrar em contato e obter informações para devolução antes de enviar a unidade ao centro de serviço.

Motorola Service Center

2200 Galvin Drive
Elgin, IL 60123, U.S.A.
1-800-422-4210 (EUA e Canadá)
+1-847-538-8023 (Internacional)

Para serviços de reparos na Europa, Oriente Médio e África, entre em contato o seguinte centro de serviço. Queira entrar em contato e obter informações para devolução antes de enviar a unidade ao centro de serviço.

Motorola Service Center

Motorola GmbH
Customer Care
Am Borsigturm 130
13507 Berlin
Germany
Tel: +49 30 6686 1555

CABOS DE ALIMENTAÇÃO APROVADOS PELA MOTOROLA

Este carregador foi projetado para aplicações entre 100 V CA e 240 V CA, 50 / 60 Hz, e deve ser utilizado com os seguintes cabos de alimentação Motorola.

Tabela 3: Cabos de alimentação Motorola

Tipo de plugue	Kit do carregador	Kit do carregador (modelo com visor)	Cabo de alimentação
Sem cabo nem plugue	WPLN4211/B	WPLN4218/B	Nenhuma
EUA	WPLN4212/B	WPLN4219/B	3087791G01
Europa	WPLN4213/B	WPLN4220/B	3087791G04
U.K.	WPLN4214/B	WPLN4221/B	3087791G07
Austrália / Nova Zelândia	WPLN4215/B	WPLN4222/B	3087791G10
Argentina	WPLN4216/B	WPLN4223/B	3087791G13
Coréia	WPLN4217/B	WPLN4224/B	3087791G16
Híbrido para Europa, Oriente Médio e África	WPLN4237/B	WPLN4238/B	3087791G01
EUA / América do Norte com 6 cavidades / um visor	Nenhuma	WPLN4239/B	3087791G01
Japão	PMLN5256/B	Nenhuma	Nenhuma
Brazil	WPLN4277/B	WPLN4278/B	3087791G22

BATERIAS APROVADAS PELA MOTOROLA

Nas tabelas que se seguem, são apresentadas as baterias que podem ser utilizadas com os rádios de assinantes especificados nos cabeçalhos das tabelas.

Tabela 4: Baterias padrão e IMPRES para os rádios digitais profissionais

Kit (NP)	Composição química	FMRC	IMPRES
PMNN4065	NiMH	Não	Não
PMNN4066	Íons de lítio	Não	Sim
PMNN4069	Íons de lítio	Sim	Sim
PMNN4077	Íons de lítio	Não	Sim
PMNN4101	Íons de lítio	Não	Sim
PMNN4102	Íons de lítio	Sim	Sim
PMNN4103	Íons de lítio	Não	Sim
PMNN4104	NiMH	Não	Não
PMNN4406	Íons de lítio	Não	Não
PMNN4407	Íons de lítio	Não	Sim
PMNN4409	Íons de lítio	Não	Sim
PMNN4412	NiMH	Não	Não
PMNN4415	NiMH	Não	Não
PMNN4416	Íons de lítio	Não	Não
PMNN4417	Íons de lítio	Não	Sim
PMNN4418	Íons de lítio	Não	Sim
PMNN4424	Íons de lítio	Não	Sim
NNTN8128	Íons de lítio	Não	Sim
NNTN8129	Íons de lítio	Sim	Sim
NNTN8305	Íons de lítio	No	Sim

NOTA:

A bateria NNTN8305 é compatível apenas com MUC Revisão B e superior.

Tabela 5. Baterias Padrão e IMPRES para Rádios MOTOTRBO (XPR 7550 Ex, DP 4801 Ex, DP 4401 Ex, XiR P8668 Ex, XiR P8608 Ex, DGP 8550 Ex, DGP 8050 Ex)

Kit (NP)	Composição química	FMRC	IMPRES
NNTN8359	Íons de Lítio	Não; ATEX	Sim

Observação: Se a luz do indicador no carregador indicar de forma constante uma bateria defeituosa ou diferente das baterias listadas na Tabela 1, a bateria não poderá mais ser usada no ambiente perigoso.

DESCRIÇÃO DAS CARACTERÍSTICAS E VANTAGENS DO IMPRES

A solução de energia IMPRES é um sistema desenvolvido pela Motorola que aceita baterias com três tipos de composição química. O sistema é composto por (a) baterias IMPRES, (b) o carregador auto-adaptável múltiplo IMPRES, e (c) o hardware / software do rádio que permite aos rádios compatíveis a comunicação com as baterias IMPRES.

Quando o carregador auto-adaptável múltiplo IMPRES é usado com as baterias IMPRES da Motorola:

1. Maximiza o tempo de funcionamento entre ciclos de carga, ao se eliminar automaticamente o efeito de memória.
2. Maximiza a vida útil da bateria, ao se reduzir consideravelmente o calor gerado durante os ciclos de carga lenta e de carga de manutenção.
3. Elimina a necessidade de se adquirir equipamento de recondicionamento e de se fazer treinamento de pessoal para as “tarefas de manutenção da bateria”.

Com este enfoque exclusivo do sistema patenteado, não há necessidade de se fazer o registro de dados sobre o uso das baterias IMPRES, de se efetuar ciclos de recondicionamento manuais nem de se retirar as baterias dos recarregadores uma vez estando carregadas.

O carregador auto-adaptável múltiplo IMPRES monitora o padrão de utilização da bateria IMPRES, guarda esta informação na bateria IMPRES e executa um ciclo de recondicionamento somente quando for necessário.

O carregador auto-adaptável múltiplo IMPRES não causa o sobreaquecimento da bateria IMPRES, independentemente do tempo que a mesma permaneça na cavidade. O carregador monitora a bateria e altera automaticamente o regime de carga lenta no momento preciso.

MÓDULO DE TELA DO CARREGADOR (CDM)

As funções do carregador múltiplo auto-adaptável IMPRES podem ser aprimoradas por meio da inclusão de um módulo de tela (CDM). Solicite e instale o módulo identificado com o número de peça Motorola RLN5382

Informações gerais sobre a tela

O carregador múltiplo auto-adaptável IMPRES com CDM oferece ao usuário valiosas informações durante as tarefas de manutenção e de cuidados das baterias. As informações exibidas pelo carregador e pelos LED indicadores correspondentes estão descritas detalhadamente nas tabelas a seguir.

Início

Quando do ligamento do carregador

LED	BREVE PISCAR VERDE
Linha 1	IMPRES
Linha 2	

Se não houver uma bateria na cavidade

LED	OFF
Linha 1	NO BATTERY (não há bateria)
Linha 2	

Leitura de dados da bateria

LED	Qualquer indicação definida
Linha 1	READING (Lendo)
Linha 2	BATTERY DATA (dados da bateria)

Com bateria não IMPRES na cavidade

LED	Definido pelo estado da carga
Linha 1	NON-IMPRES (não Impres)
Linha 2	BATTERY (bateria)

Com bateria IMPRES na cavidade

São exibidos na tela a versão do software e do IMPRES

LED	Definido pelo estado da carga
Linha 1	IMPRES
Linha 2	SW xx.yy; aa.bb

NOTA:

xx.yy indica a versão do software do carregador, enquanto que aa.bb indica a versão de software do CDM.

São exibidos na tela o número de série e o número do kit da bateria IMPRES

(Para uma melhor identificação, cada bateria IMPRES exibe um número de série único)

LED	Definido pelo estado da carga
Linha 1	KIT# ----- (nº do kit)
Linha 2	SN: ----- (n.º de série)

São exibidos na tela o número do kit e a composição química da bateria IMPRES

LED	Definido pelo estado da carga
Linha 1	KIT# ----- (nº do kit)
Linha 2	----CHEMISTRY (composição química)

Número de ciclos previstos antes da realização de um condicionamento automático

LED	Definido pelo estado da carga
Linha 1	----CYCLES (ciclos)
Linha 2	TO RECONDITION (antes do condicionamento)

* Será exibido somente quando a quantidade estimada de ciclos anteriores ao próximo ciclo de condicionamento for inferior a seis.

O carregador está aguardando para carregar; a bateria está aquecida.

LED	LARANJA intermitente
Linha 1	WAITING TO CHG (aguardando para carregar)
Linha 2	HOT BATTERY (bateria aquecida)

O carregador está aguardando para carregar; a bateria está fria.

LED	LARANJA intermitente
Linha 1	WAITING TO CHG (aguardando para carregar)
Linha 2	COLD BATTERY (bateria fria)

O carregador está aguardando para carregar; a tensão elétrica está baixa.

LED	LARANJA intermitente
Linha 1	WAITING TO CHG (aguardando para carregar)
Linha 2	LOW VOLTAGE (baixa tensão)

NOTA:

Nem todas as telas antes mostradas são necessariamente exibidas. Por exemplo, a tela que indica que o carregador está aguardando (seja por que a bateria esteja aquecida ou fria, ou porque a tensão elétrica está baixa) irá aparecer somente quando a situação assim o justificar.

O carregador se encontra no modo de carga rápida

LED	VERMELHO contínuo
Linha 1	RAPID CHARGE (carga rápida)
Linha 2	

O carregador se encontra no modo de carga lenta

LED	VERDE intermitente
Linha 1	TRICKLE CHARGE (carga lenta)
Linha 2	

Bateria completamente carregada

LED	VERDE contínuo ou VERMELHO / VERDE intermitente
Linha 1	CHARGE COMPLETE (carga completa)
Linha 2	

O carregador se encontra no modo de descarga / recondicionamento

LED	LARANJA contínuo
Linha 1	DISCHARGE (descarga)
Linha 2	

O carregador está calibrando uma bateria IMPRES

LED	LARANJA contínuo, VERMELHO contínuo e LARANJA ou VERDE intermitente
Linha 1	Calibrating (calibrando)
Linha 2	Bateria

LED	VERDE contínuo
Linha 1	Bateria
Linha 2	Calibrated (calibrada)

** Todas as baterias IMPRES devem ser calibradas antes de serem utilizadas pela primeira vez. Os carregadores IMPRES fazem automaticamente a calibração das baterias novas*

Os dados de capacidade da bateria são indicados em "%", mAH e tensão (baterias IMPRES somente).

LED	Definido pelo estado da carga
Linha 1	---% RATED CAP. (% da capacidade nominal)
Linha 2	---mAH --.-V

Capacidade estimada após a carga (baterias IMPRES somente).

LED	Definido pelo estado da carga
Linha 1	EST CAP AFTER (capacidade estimada após)
Linha 2	CHARGE xx% (uma carga de xx%)

NOTA:

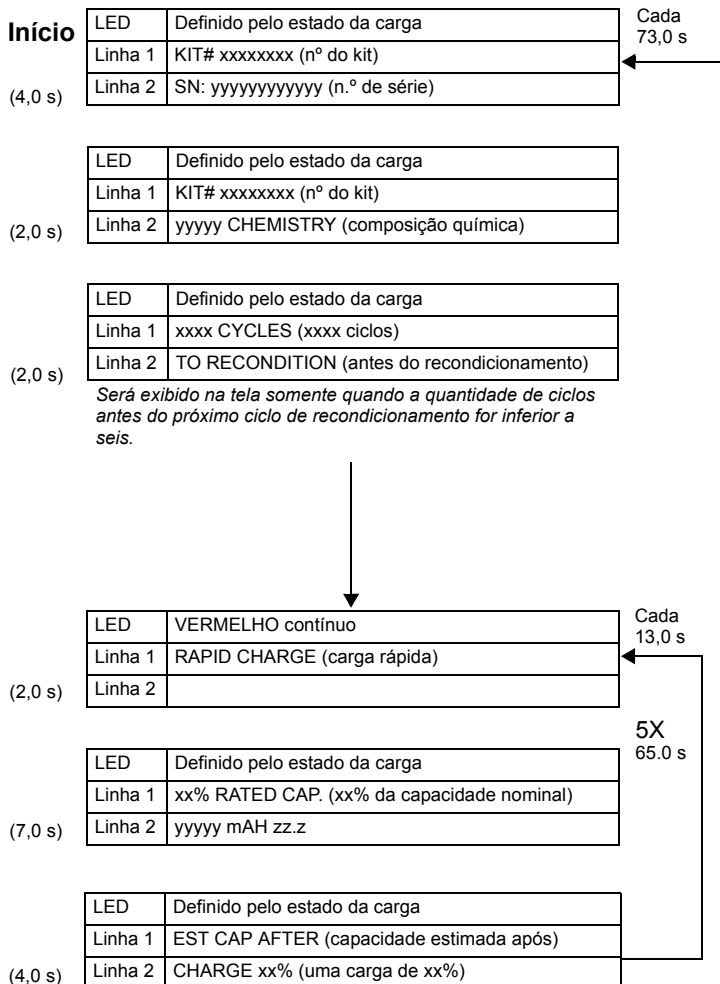
Se uma bateria IMPRES totalmente carregada for inserida imediatamente em uma cavidade diferente, é possível que seja exibida uma capacidade inicial ligeiramente inferior, devido às estimativas de perda natural de carga. O carregador irá corrigir esse desvio quando a bateria estiver completamente carregada na nova cavidade, o que normalmente ocorre após alguns minutos.

NOTA:

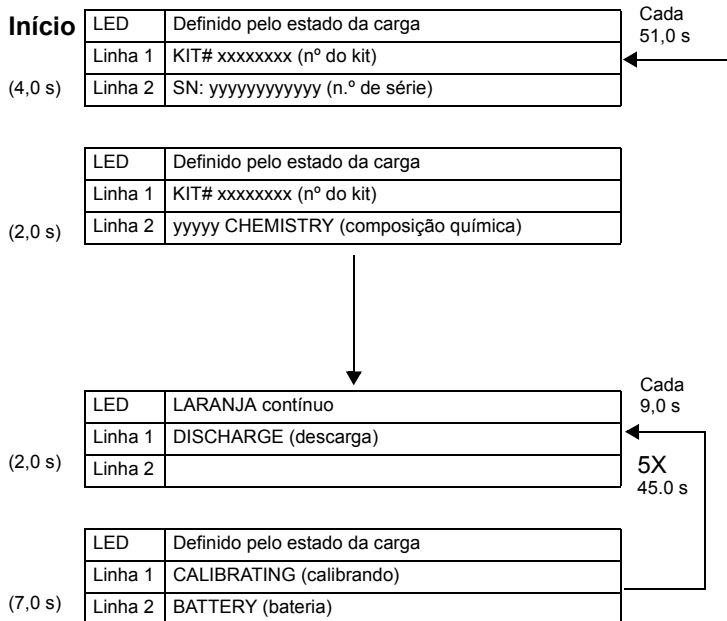
- (1) O tempo estimado para a conclusão da carga rápida pode incluir o tempo restante necessário para a conclusão de um ciclo de descarga, mais o tempo necessário para a conclusão do ciclo de carga rápida.
- (2) Com baterias não calibradas possivelmente não será mostrada a informação de capacidade da bateria.
- (3) O uso de baterias IMPRES com carregadores que não sejam IMPRES poderá afetar a exatidão na determinação da capacidade e do tempo de carga.
- (4) O uso de pacotes de baterias IMPRES não calibradas poderá afetar a exatidão na determinação do tempo de carga.

Diagramas de seqüências para as baterias IMPRES

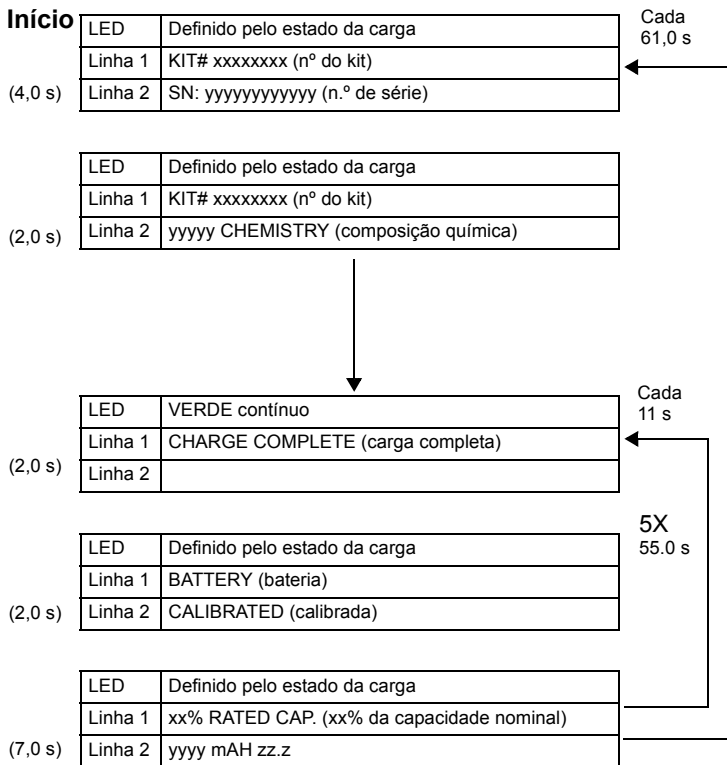
Seqüência de indicações na tela para as baterias de Lítio-íon



Antes da calibração:



Após a calibração:



Orientação do texto do visor

Para permitir a montagem do carregador adaptável IMPRES de várias unidades na mesa ou na parede, o CDM está equipado com o recurso para “girar” o texto do visor em 180 graus.

Para fazer isso, insira um clipe de papel grande no orifício abaixo do visor perpendicular à mesa. Um “clique” indica que o botão de alternância foi acionado, girando o texto em 180 graus.

TABLE DES MATIÈRES

Normes de sécurité relatives au fonctionnement	3
Mode d'emploi	4
Procédure de charge	4
Initialisation	6
Remise en état automatique	6
Suspension manuelle du processus de remise en état	7
Lancement manuel du processus de remise en état	7
Dépannage	8
Entretien et réparation	9
Câbles d'alimentation agréés Motorola	10
Batteries agréées Motorola	11
Description des fonctions et des avantages offerts par le chargeur IMPRES	12
Module d'affichage du chargeur (CDM)	13
Informations générales d'affichage	13
Diagrammes de séquençement pour batteries IMPRES	18
Orientation du texte d'affichage	21

CONSIGNES DE SÉCURITÉ IMPORTANTES CONSERVEZ CES CONSIGNES

Ce document contient d'importantes consignes de sécurité et de fonctionnement. Veuillez lire ces consignes attentivement et les conserver pour référence.

Avant d'utiliser le chargeur de batteries, veuillez lire toutes les consignes et avertissements figurant sur le (1) chargeur, (2) la batterie et (3) la radio qui utilise la batterie.



AVERTISSEMENT

1. Pour réduire les risques de lésions, chargez uniquement les batteries rechargeables agréées Motorola figurant dans le Tableau 4. L'utilisation d'autres batteries risque de provoquer une explosion et d'entraîner des lésions corporelles et des dommages.
2. L'utilisation d'accessoires non recommandés par Motorola présente un risque d'incendie, de choc électrique ou de lésion.
3. Afin de réduire le risque d'endommagement du cordon et de la prise électriques, tirez sur la prise et non pas sur le cordon pour déconnecter le chargeur.
4. Évitez d'utiliser une rallonge, sauf en cas d'absolue nécessité. L'utilisation d'une rallonge inadéquate présente un risque d'incendie ou de choc électrique. Si vous devez utiliser une rallonge, veillez à ce que le calibre du câble soit de 18 a.w.g. jusqu'à 30,48 mètres (100 pieds) de long et de 16 a.w.g. jusqu'à 45,72 mètres (150 pieds) de long.
5. Afin de réduire les risques d'incendie, de choc électrique ou de lésions, évitez d'utiliser le chargeur s'il est cassé ou s'il a subi un dommage quelconque. Faites-le réparer dans un centre d'entretien et de réparation agréé Motorola.
6. Le chargeur autoadaptable multiple IMPRES ne peut être réparé que par un technicien d'entretien qualifié agréé par Motorola. Toute infraction à cette politique risque d'annuler la garantie de l'appareil.

AVERTISSEMENTS (Suite)



AVERTISSEMENT

7. Afin de réduire les risques de choc électrique, débranchez le chargeur de la prise de courant alternatif avant de le nettoyer ou de procéder à son entretien.

8. Au moment de changer le fusible, veillez à utiliser un fusible de même tension nominale et de même type que ceux indiqués sur l'étiquette du chargeur. Remplacez les fusibles par des fusibles Cooper-Bussman GDC-3.15 ou par un équivalent approuvé uniquement. Les pièces suivantes peuvent être commandées auprès de la division Produits et Services de radio Motorola (1-800-422-4210 [États-Unis et Canada] ou +1-847-538-8023 [International]) :

Fusible 6571489S01
Couvercle 0987739G01

9. Ceci est un produit de classe A. Dans un environnement domestique ce produit peut causer des interférences radios dans ce cas l'utilisateur devra prendre des mesures appropriées.

NORMES DE SÉCURITÉ RELATIVES AU FONCTIONNEMENT

- Éteignez la radio pendant que vous chargez la batterie.
- Cet appareil n'est pas conçu pour être utilisé à l'air libre. Utilisez-le uniquement dans des endroits secs.
- L'unité doit être connectée exclusivement à une prise de courant correctement installée et protégée contre les surtensions et de tension électrique appropriée (comme indiqué sur le produit).
- Pour couper l'alimentation électrique, débranchez le câble d'alimentation de la prise de courant.
- La prise de courant doit se trouver à proximité de l'unité, dans un endroit facilement accessible.
- Les fusibles de rechange doivent avoir les mêmes caractéristiques (type et tension nominale) que celles spécifiées sur l'appareil.
- La température ambiante maximale à proximité du chargeur ne doit pas dépasser les 40 °C (104 °F).
- Veillez à ce que le cordon électrique ne se trouve pas sur un lieu de passage où l'on puisse trébucher dessus et qu'il soit protégé de l'eau, de dommages ou de contraintes.

- Cette unité utilise le même support de montage mural que le chargeur multiple NTN4796. Le support de montage mural porte le numéro de référence NLN7967.

MODE D'EMPLOI

Le système de chargeur autoadaptable IMPRES est un système d'entretien de batterie entièrement automatique. L'utilisateur n'a plus qu'à suivre ces quelques étapes simples :

1. Placez la radio ou la batterie IMPRES dans le chargeur.
2. Retirez la radio ou la batterie IMPRES lorsqu'elle est complètement chargée (le voyant DEL devient VERT fixe).

Les compartiments du chargeur peuvent accepter soit une radio avec une batterie IMPRES installée, soit une batterie IMPRES seule. **Avant de charger une batterie IMPRES installée dans une radio, éteignez la radio.** La charge des batteries se fait mieux à température ambiante.

Procédure de charge

1. Branchez l'extrémité du cordon d'alimentation dans la prise de courant située à l'arrière du chargeur.
2. Branchez l'autre extrémité du cordon d'alimentation dans la prise murale de CA appropriée. Le voyant DEL du chargeur indique un **BREF CLIGNOTEMENT VERT** lorsque la séquence initiale de démarrage s'exécute correctement.
3. Insérez une batterie IMPRES ou une radio avec batterie IMPRES (**après avoir éteint la radio**) dans le compartiment du chargeur. Pour ce faire :
 - a. Alignez les rainures situées de chaque côté de la batterie avec les rails surélevés correspondants situés de chaque côté du compartiment du chargeur.
 - b. Enfoncez la batterie vers l'arrière du compartiment en appuyant dessus.
 - c. Faites coulisser la batterie vers l'intérieur du compartiment du chargeur; veillez à ce que les bornes du chargeur et celles de la batterie soient en contact.

4. Pour sortir la radio ou la batterie IMPRES du compartiment du chargeur, servez-vous de vos deux mains; tenez le chargeur d'une main pendant que vous sortez la radio ou la batterie de l'autre.

Une fois la batterie IMPRES correctement calée à l'intérieur du compartiment, le voyant du chargeur s'allume pour indiquer que le chargeur a détecté la présence de la batterie. Consultez les témoins de charge dans le Tableau 1.

Tableau 1. Témoins de charge de la batterie IMPRES

Témoin de charge	Description
<i>Bref clignotement vert</i>	Le chargeur a effectué correctement la séquence initiale de démarrage.
<i>Rouge fixe</i>	La batterie est en mode de charge rapide.
<i>Vert clignotant</i>	La batterie a terminé la charge rapide (plus de 90 % de la capacité disponible). La batterie est en mode de charge lente.
<i>Vert fixe</i>	Le processus de charge est terminé et la batterie est complètement chargée.
<i>Orange clignotant</i>	La batterie a été détectée par le chargeur, elle est en attente de charge. (Le processus de charge n'a pas commencé car la tension de la batterie est trop faible ou parce que la température est trop basse ou trop élevée. Une fois l'état de la batterie corrigé, le processus de charge commence automatiquement).
<i>Rouge clignotant</i>	La batterie ne se charge pas ou il y a un faux contact.
<i>Orange fixe</i>	(Cette fonction s'applique uniquement aux batteries IMPRES) La batterie est en mode de remise en état ou d'initialisation. Le temps pendant lequel le chargeur reste dans ce mode dépend du niveau de charge de la batterie avant qu'elle ne soit insérée. (La remise en état des batteries complètement chargées prend plus de temps (8 à 12 heures ou plus) que celle des batteries totalement déchargées).
<i>Rouge/vert clignotant</i>	(Cette fonction s'applique uniquement aux batteries IMPRES) Le processus de charge est terminé et la batterie est complètement chargée. Vous pouvez continuer à utiliser la batterie, mais elle arrive à la fin de sa durée de vie.

INITIALISATION

Pour utiliser au mieux les fonctions des batteries IMPRES Motorola et le système de charge autoadapté, le chargeur doit initialiser les données contenues dans ces batteries lors de leur première charge. Ce mode est indiqué par un voyant **ORANGE FIXE** du chargeur (identique à celui qui s'allume lorsque la batterie est en cours de remise en état). Le processus est automatique et comprend une remise en état initiale de la batterie; la charge commence une fois ce processus terminé. L'initialisation de la batterie prend du temps; elle doit donc rester dans le chargeur pendant environ 12 heures avant que le processus ne prenne fin. Attendez que le voyant DEL du chargeur passe au **VERT FIXE** avant de sortir la batterie.

REMISE EN ÉTAT AUTOMATIQUE

Le chargeur autoadapté IMPRES Motorola, lorsqu'il est utilisé avec une batterie IMPRES Motorola, a la capacité de déterminer le moment opportun pour remettre en état la batterie (nécessaire pour éliminer tout problème de mémoire dans les batteries IMPRES).

Lorsqu'une batterie IMPRES est insérée correctement dans le chargeur, ce dernier détermine s'il est opportun ou non de remettre la batterie en état. Si la batterie doit être remise en état, le voyant DEL du chargeur passe automatiquement au **ORANGE FIXE**. Ce processus peut durer jusqu'à 12 heures, selon l'état de charge et la capacité de charge de la batterie lorsqu'elle est insérée dans le chargeur.

Il est important de noter que pour que ce processus soit efficace, la remise en état/recharge de la batterie IMPRES doit avoir suivi son cycle complet. Laissez la batterie dans le chargeur jusqu'à ce que le voyant DEL devienne **VERT FIXE**.

Une fois le cycle de remise en état terminé, le chargeur recharge automatiquement la batterie IMPRES.

Suspension manuelle du processus de remise en état

À tout moment au cours du processus de remise en état d'une batterie IMPRES Motorola (voyant DEL **ORANGE FIXE**), vous pouvez suspendre l'opération de remise en état en sortant puis en réinsérant la batterie dans un délai de 5 secondes. Ceci met fin au processus de remise en état et lance le processus de charge. Le voyant DEL devient **ROUGE FIXE**. Le chargeur tentera de remettre la batterie en état la prochaine fois qu'elle sera insérée.

Lancement manuel du processus de remise en état

Pendant les 2,5 minutes qui précèdent l'insertion initiale d'une batterie IMPRES (le voyant DEL reste **ROUGE FIXE**), retirez et insérez de nouveau la batterie dans un délai de 5 secondes afin de forcer sa remise en état manuelle. Le voyant du chargeur passe du **ROUGE FIXE** au **ORANGE FIXE**. Cette indication force le chargeur à passer en mode de remise en état et recharge automatiquement la batterie. Il s'agit là d'une fonction très utile lorsque les batteries IMPRES ont été entreposées pendant plusieurs mois. Si les batteries ont été entreposées durant une longue période, il peut s'avérer nécessaire d'effectuer deux ou trois cycles de remise en état manuelle afin de les régénérer.

DÉPANNAGE

Lors du dépannage, examinez toujours la couleur de la DEL.

Tableau 2. Dépannage

Problème	Explication	Mesure à prendre
Le chargeur n'indique rien	<p>1a. Faux contact avec le chargeur.</p> <p>1b. Le chargeur n'est pas alimenté en électricité.</p>	<p>1a. Vérifiez que la radio avec la batterie ou la batterie seule est insérée correctement.</p> <p>1b. • Veillez à ce que le cordon d'alimentation soit bien connecté au chargeur et branché dans une prise de courant appropriée, et que la prise soit alimentée.</p> <p>• Remplacez les fusibles.</p>
Voyant Rouge clignotant	<p>2a. Faux contact avec le chargeur.</p> <p>2b. La batterie ne peut pas être chargée.</p>	<p>2a. • Sortez la batterie du chargeur et insérez-la de nouveau dans le chargeur.</p> <p>• Vérifiez que la batterie est une batterie agréée Motorola figurant dans le tableau 4. D'autres types de batteries ne pourront pas être chargés.</p> <p>• Mettez le chargeur hors tension et à l'aide d'un chiffon propre et sec nettoyez les bornes de contact du chargeur et de la batterie.</p> <p>2b. Remplacez la batterie.</p>
Voyant Orange clignotant	<p>3. La batterie est en attente de charge. La température de la batterie peut être inférieure à 5 °C (41 °F) ou supérieure à 40 °C (104 °F), ou la tension de la batterie peut être en dessous du seuil prédéfini pour la charge rapide.</p>	<p>3. Une fois l'état de la batterie corrigé, le processus de charge commence automatiquement.</p>

ENTRETIEN ET RÉPARATION

Le chargeur autoadaptable multiple IMPRES ne peut être réparé que par un technicien d'entretien qualifié agréé par Motorola. Toute infraction à cette politique aura pour effet d'annuler la garantie de cet appareil. Pour plus de renseignements sur l'entretien du chargeur multiple et du module d'affichage du chargeur, reportez-vous au manuel d'entretien du chargeur portant le numéro de référence 6871357L01.

Pour toute réparation aux États-Unis, veuillez contacter le centre de réparation suivant. Veuillez appeler pour obtenir des informations sur la procédure de renvoi avant d'envoyer l'appareil au centre de réparation.

Motorola Service Center

2200 Galvin Drive
Elgin, Illinois 60123, États-Unis
1-800-422-4210 (États-Unis et Canada)
+1-847-538-8023 (International)

Pour toute réparation en Europe, au Moyen-Orient et en Afrique, veuillez contacter le centre de réparation suivant. Veuillez appeler pour obtenir des informations sur la procédure de renvoi avant d'envoyer l'appareil au centre de réparation.

Motorola Service Center

Motorola GmbH
Customer Care
Am Borsigturm 130
13507 Berlin
Allemagne
Tél.: +49 30 6686 1555

CÂBLES D'ALIMENTATION AGRÉÉS MOTOROLA

Ce chargeur a été conçu pour des applications entre 100 V CA et 240 V CA, 50 / 60 Hz, et s'utilise avec les câbles d'alimentation Motorola suivants.

Tableau 3 : Câbles d'alimentation Motorola

Type de prise	Trousse du chargeur	Trousse du chargeur (modèle présenté)	Câble d'alimentation
Sans câble ni prise	WPLN4211/B	WPLN4218/B	Aucun
États-Unis	WPLN4212/B	WPLN4219/B	3087791G01
Europe	WPLN4213/B	WPLN4220/B	3087791G04
Royaume-Uni	WPLN4214/B	WPLN4221/B	3087791G07
Australie/Nouvelle-Zélande	WPLN4215/B	WPLN4222/B	3087791G10
Argentine	WPLN4216/B	WPLN4223/B	3087791G13
Corée	WPLN4217/B	WPLN4224/B	3087791G16
Hybride pour l'Europe, le Moyen-Orient et l'Afrique	WPLN4237/B	WPLN4238/B	3087791G01
États-Unis/Amérique du Nord avec 6 compartiments/un écran	Aucun	WPLN4239/B	3087791G01
Japon	PMLN5256/B	Aucun	Aucun
Brazil	WPLN4277/B	WPLN4278/B	3087791G22

BATTERIES AGRÉÉES MOTOROLA

Les tableaux suivants répertorient les batteries qui peuvent être utilisées avec les radios d'abonnés identifiées dans les titres des tableaux.

Tableau 4 : Batteries standard et IMPRES pour radios numériques professionnelles

Trousse (NP)	Composition chimique	FMRC	IMPRES
PMNN4065	NiMH	Non	Non
PMNN4066	Lithium-ion	Non	Oui
PMNN4069	Lithium-ion	Oui	Oui
PMNN4077	Lithium-ion	Non	Oui
PMNN4101	Lithium-ion	Non	Oui
PMNN4102	Lithium-ion	Oui	Oui
PMNN4103	Lithium-ion	Non	Oui
PMNN4104	NiMH	Non	Non
PMNN4406	Lithium-ion	Non	Non
PMNN4407	Lithium-ion	Non	Oui
PMNN4409	Lithium-ion	Non	Oui
PMNN4412	NiMH	Non	Non
PMNN4415	NiMH	Non	Non
PMNN4416	Lithium-ion	Non	Non
PMNN4417	Lithium-ion	Non	Oui
PMNN4418	Lithium-ion	Non	Oui
PMNN4424	Lithium-ion	Non	Oui
NNTN8128	Lithium-ion	Non	Oui
NNTN8129	Lithium-ion	Oui	Oui
NNTN8305	Lithium-ion	Non	Oui

REMARQUE:

La batterie NNTN8305 est uniquement compatible avec MUC révision B ou versions ultérieures.

Tableau 5. Batteries standard et IMPRES pour radios MOTOTRBO (XPR 7550 Ex, DP 4801 Ex, DP 4401 Ex, XiR P8668 Ex, XiR P8608 Ex, DGP 8550 Ex, DGP 8050 Ex)

Trousse (NP)	Composition chimique	FMRC	IMPRES
NNTN8359	Li-ion	Non; ATEX	Oui

Remarque : Si l'indicateur de charge du chargeur indique constamment que la batterie est défectueuse ou qu'elle n'est pas conforme aux spécifications indiquées au Tableau 1, cette batterie n'est plus autorisée à être utilisée dans un environnement dangereux.

DESCRIPTION DES FONCTIONS ET DES AVANTAGES OFFERTS PAR LE CHARGEUR IMPRES

La solution d'énergie IMPRES est un système mis au point par Motorola qui accepte les batteries de trois types de composition chimique et qui est composé des (a) batteries IMPRES, (b) du chargeur autoadaptable multiple IMPRES et (c) du matériel/logiciel de la radio qui permet aux radios compatibles de communiquer entre elles avec les batteries IMPRES.

Lorsque le chargeur autoadaptable multiple IMPRES est utilisé avec les batteries IMPRES Motorola :

1. Cela optimise le temps de fonctionnement entre les cycles de charge en supprimant automatiquement l'effet de mémoire.
2. Cela optimise la durée de vie de la batterie en réduisant de manière considérable la chaleur générée au cours des cycles de charge lente et de charge de maintenance.
3. Cela vous évite d'avoir à acheter du matériel de remise en état et d'avoir à former du personnel sur les « tâches de maintenance des batteries ».

Grâce à cette vision unique de système breveté, inutile d'enregistrer des données sur l'utilisation des batteries IMPRES, ni d'effectuer des cycles de remise en état, ni de retirer les batteries des chargeurs après les avoir chargées.

Le chargeur autoadaptable multiple IMPRES analyse le mode d'utilisation de la batterie IMPRES, conserve cette information dans la batterie IMPRES et n'exécute un cycle de remise en état que si nécessaire.

Le chargeur autoadapté multiple IMPRES ne provoque pas de surchauffe de la batterie IMPRES, même lorsque celle-ci reste dans le compartiment pendant une période prolongée. Le chargeur contrôle la charge de la batterie et passe automatiquement en mode de charge lente au moment opportun.

MODULE D’AFFICHAGE DU CHARGEUR (CDM)

Le chargeur autoadapté multiple IMPRES peut être amélioré par l’ajout d’un module d’affichage (CDM). Commandez et installez la pièce de rechange Motorola portant le n° de référence RLN5382.

Informations générales d’affichage

Le chargeur autoadapté multiple IMPRES avec CDM, fournit à l’utilisateur des informations très utiles pendant l’entretien des batteries. Les informations affichées par le chargeur et les voyants DEL correspondants sont décrites en détails dans les tableaux ci-dessous.

Démarrage

À la mise sous tension du chargeur

DEL	BREF CLIGNOTEMENT VERT
Ligne 1	IMPRES
Ligne 2	

S’il n’y a pas de batterie dans le compartiment

DEL	Éteinte
Ligne 1	NO BATTERY (pas de batterie)
Ligne 2	

Lecture des données de batterie

DEL	Toute indication définie
Ligne 1	READING (lecture des)
Ligne 2	BATTERY DATA (données de batterie)

Batterie non-IMPRES dans le compartiment

DEL	Définie par l'état de charge
Ligne 1	NON-IMPRES (non-IMPRES)
Ligne 2	BATTERY (batterie)

Batterie IMPRES dans le compartiment

IMPRES et les versions de logiciel sont affichés

DEL	Définie par l'état de charge
Ligne 1	IMPRES
Ligne 2	SW xx.yy; aa.bb

REMARQUE :

xx.yy indique la version de logiciel du chargeur, et aa.bb indique la version de logiciel du CDM.

Le n° de trousse et le n° de série de la batterie IMPRES sont affichés (chaque batterie IMPRES affiche un n° de série différent pour faciliter l'identification).

DEL	Définie par l'état de charge
Ligne 1	KIT# xxxxxxxx (n° de trousse)
Ligne 2	SN: yyyyyyyyyy (n° de série)

Le n° de trousse et la composition chimique de la batterie IMPRES sont affichés

DEL	Définie par l'état de charge
Ligne 1	KIT# xxxxxxxx (n° de trousse)
Ligne 2	----CHEMISTRY (composition chimique)

Nombre de cycles prévus avant une remise en état automatique

DEL	Définie par l'état de charge
Ligne 1	----CYCLES (cycles)
Ligne 2	TO RECONDITION (avant remise en état)

* Affiché uniquement si le nombre de cycles précédant le cycle de remise en état suivant est estimé à moins de six.

Le chargeur est en attente de charge; la batterie est trop chaude.

DEL	ORANGE clignotant
Ligne 1	WAITING TO CHG (en attente de charge)
Ligne 2	HOT BATTERY (batterie chaude)

Le chargeur est en attente de charge; la batterie est trop froide.

DEL	ORANGE clignotant
Ligne 1	WAITING TO CHG (en attente de charge)
Ligne 2	COLD BATTERY (batterie froide)

Le chargeur est en attente de charge; la tension est trop faible.

DEL	ORANGE clignotant
Ligne 1	WAITING TO CHG (en attente de charge)
Ligne 2	LOW VOLTAGE (tension faible)

REMARQUE :

Les écrans montrés ci-dessus ne seront pas forcément tous affichés. Par exemple, le message d'attente de charge (batterie trop chaude, trop froide, tension trop faible) n'est affiché que si la situation l'exige.

Le chargeur est en mode de charge rapide

DEL	Rouge fixe
Ligne 1	RAPID CHARGE (charge rapide)
Ligne 2	

Le chargeur est en mode de charge lente

DEL	VERT clignotant
Ligne 1	TRICKLE CHARGE (charge lente)
Ligne 2	

La charge est terminée

DEL	VERT fixe ou VERT / ROUGE clignotant
Ligne 1	CHARGE COMPLETE (charge terminée)
Ligne 2	

Le chargeur est en mode décharge/remise en état

DEL	ORANGE fixe
Ligne 1	DISCHARGE (décharge)
Ligne 2	

Le chargeur calibre une batterie IMPRES

DEL	ORANGE fixe, ROUGE fixe, et ORANGE ou VERT clignotant
Ligne 1	Calibrating (calibrage en cours)
Ligne 2	Batterie

DEL	VERT fixe
Ligne 1	Batterie
Ligne 2	Calibrated (calibrée)

** Toutes les batteries IMPRES doivent être calibrées avant la première utilisation. Les chargeurs IMPRES réalisent automatiquement le calibrage de toutes les nouvelles batteries.*

Les données de capacité de batteries sont affichées en « % », mAH et tension (uniquement batteries IMPRES).

DEL	Définie par l'état de charge
Ligne 1	----% RATED CAP. (% de la capacité nominale)
Ligne 2	----mAH --.-V

Capacité estimée après la charge (uniquement batteries IMPRES).

DEL	Définie par l'état de charge
Ligne 1	EST CAP AFTER (capacité estimée après)
Ligne 2	CHARGE xx% (xx% de charge)

REMARQUE :

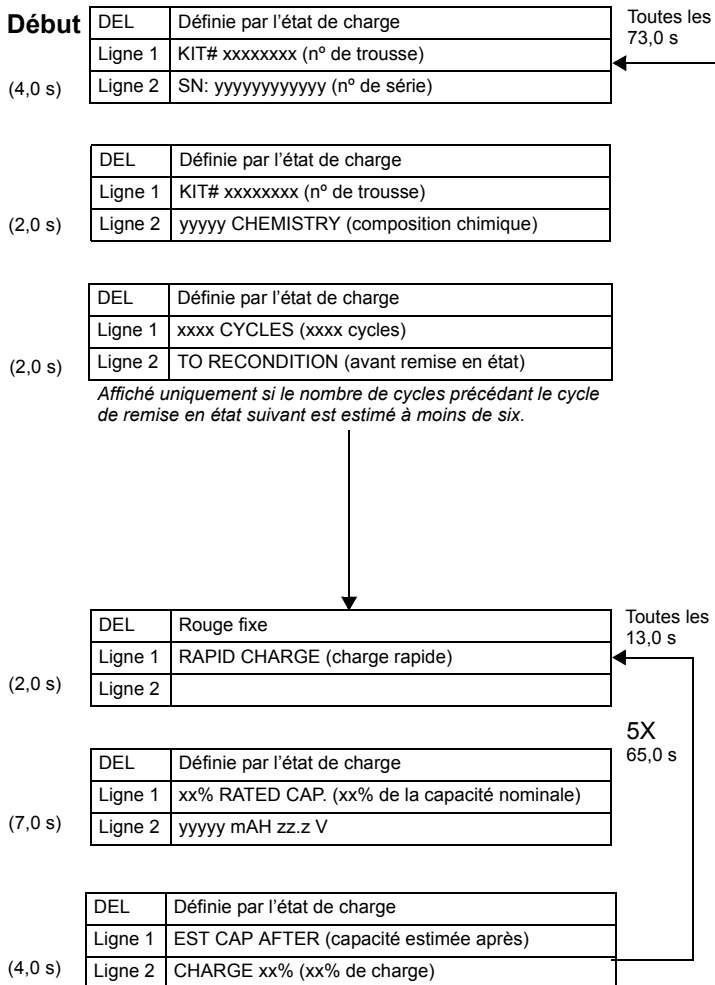
Une batterie IMPRES complètement chargée et insérée immédiatement dans un autre compartiment peut afficher une capacité initiale légèrement inférieure en raison des estimations de perte naturelle de charge. Le chargeur corrige cet écart lorsque la batterie est complètement chargée dans le nouveau compartiment, ce qui prend habituellement quelques minutes.

REMARQUE :

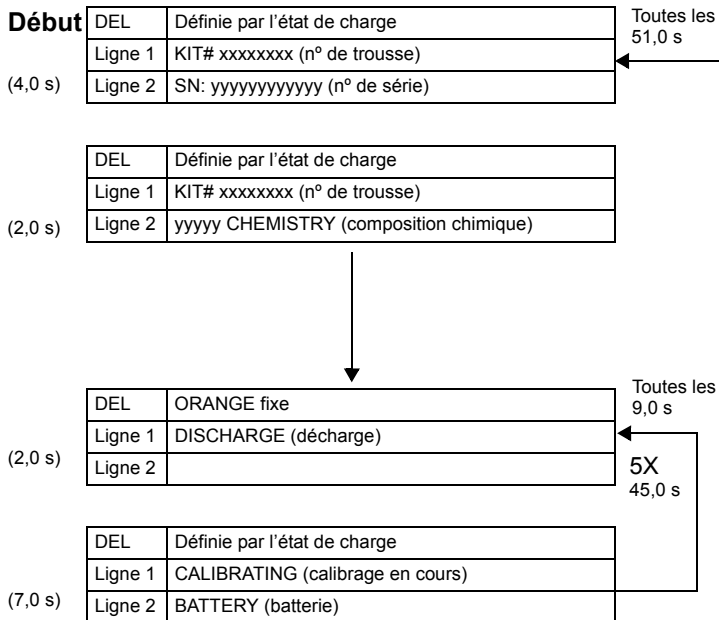
- (1) La durée estimée d'une charge rapide complète peut comprendre toute période restante requise pour terminer un cycle de décharge, plus le temps nécessaire pour terminer un cycle de charge rapide.
- (2) L'information de capacité de batterie peut ne pas être affichée pour les batteries non calibrées.
- (3) L'utilisation de batteries IMPRES avec des chargeurs non-IMPRES peut affecter la capacité et la précision du temps de charge.
- (4) L'utilisation de blocs de batteries IMPRES non calibrées peut affecter l'exactitude du temps de charge.

Diagrammes de séquençement pour batteries IMPRES

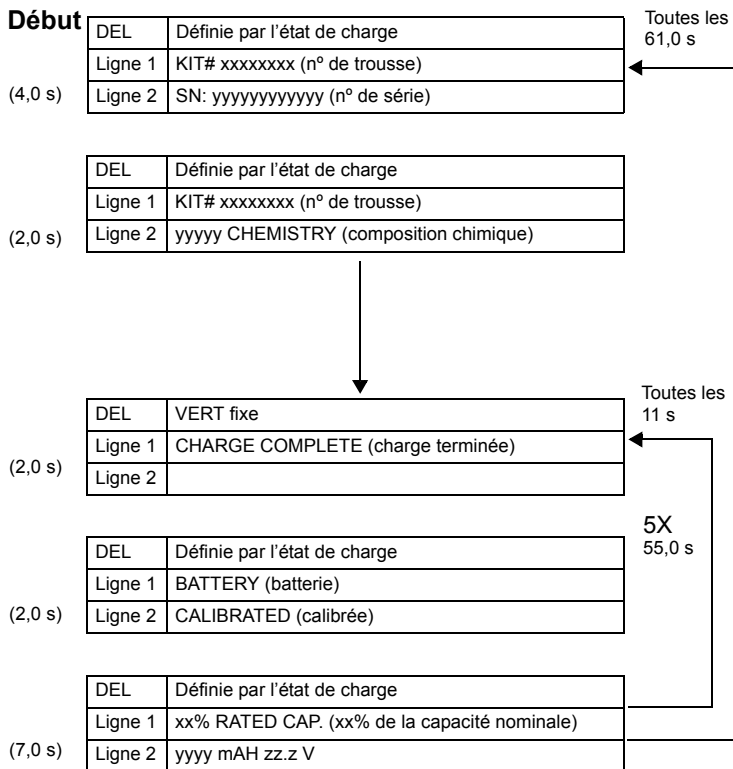
Séquence d'affichage de batteries IMPRESS au lithium-ion



Avant calibrage :



Après calibrage :



Orientation du texte d'affichage

Pour permettre le montage du chargeur individuel adaptatif IMPRES multi unités sur un bureau ou sur un mur, le CDM est équipé de la fonctionnalité pour tourner le texte d'affichage de 180 degrés.

Pour ce faire, insérez un grand trombone dans le trou d'épingle sous l'affichage perpendiculaire au bureau. Un léger « clic » indique que l'interrupteur a été activé, tournant le texte de 180 degrés.

目录

操作安全准则	3
操作说明	4
充电过程	4
初始化	5
自动修复	5
手动终止修复过程	6
手动启动修复过程	6
故障排除	6
维修	7
摩托罗拉认可的电源线	8
摩托罗拉认可的电池	9
IMPRES 功能 / 优点介绍	10
充电器显示模块 (CDM)	11
一般显示信息	11
IMPRES 电池的顺序图	15
显示文字方向	18

重要提示

安全注意事项

请妥善保管此指南

本文档含有重要安全注意事项和使用指南，请仔细阅读这些指南并妥善保管以备后用。

在使用充电器之前，请仔细阅读 (1) 充电器、(2) 电池和 (3) 对讲机（使用该电池）上的所有说明和警告。



警告

1. 为了减少危险，请只使用表 4 中经摩托罗拉认可的充电电池。其它电池可能会引起爆炸，造成人员伤害。
2. 使用非摩托罗拉建议的附件可能会导致火灾、电击或伤害。
3. 为了减少对电源插头和电源线的损坏，在拔下充电器时请捏住插头，不要捏住电源线往外拔。
4. 一般情况下请不要使用电源延长线，除非必须使用。使用不恰当的延长线可能会导致火灾或电击。如果必须使用延长线，请确保使用的延长线规格为 18 AWG（最长用于 100 英尺或 30.48 米的距离）或 16 AWG（最长用于 150 英尺或 45.72 米的距离）。
5. 为了减少火灾、电击或伤害的危险，请不要使用已损坏的充电器，应将它交给专业摩托罗拉服务代表处理。
6. IMPRES 自适应多座充电器只能由摩托罗拉认可的专业技术人员进行维修。如果违反此项规定，摩托罗拉将不承担设备的保修责任。

警告 (续)



7. 为了减少电击的危险，在对充电器进行维护和清洁前请将它从交流插座中拔下。

警告

8. 更换保险丝时，只能使用与充电器标签上列出的相同类型和标称值的保险丝。仅用 Cooper-Bussman GDC-3.15 或认可的同等产品更换旧保险丝。您可以从摩托罗拉无线电产品和服务部 (1-800-422-4210 [美国和加拿大] 或 1-847-538-8023 [全球]) 订购以下部件：

保险丝	6571489S01
上盖	0987739G01

9. 此为 A 级产品。在生活环境中，该产品可能会造成无线电干扰。在这种情况下，可能需要用户对其干扰采取确实可行的措施。

操作安全准则

- 在电池充电时请关闭对讲机。
- 该产品不适合在室外使用。请在干燥的场所 / 环境下使用该产品。
- 只将该产品连接到符合的保险丝及正确电压的电源上 (标识在产品上)。
- 要断开线路电压时，请从电源插座上拔下主插头。
- 连接该产品的电源插座应该位于附近，并且插拔方便。
- 对于使用保险丝的产品，更换的保险丝规格必须与产品说明中的规格相同。
- 充电器周围的最高温度不能超过 40 °C (104 °F)。
- 连接线应放置在适当的位置，不能踩、绊、浸水或挤压。
- 此产品使用的墙壁安装设备与 NTN4796 多座充电器的相同。墙壁安装部件编号为 NLN7967。

操作说明

IMPRES 自适应充电系统是一种完全自动化的电池养护系统。用户只需要执行以下简单操作：

1. 将对讲机 / IMPRES 电池放入该充电器中。
2. 完全充满电（LED 指示灯持续显示为绿灯）后取下对讲机 / IMPRES 电池。

此充电器的充电座只允许插入一个带 IMPRES 电池的对讲机或者一块 IMPRES 电池。在为带 **IMPRES** 电池的对讲机进行充电前先关闭对讲机。电池最好在室温下进行充电。

充电过程

1. 将电源线的充电器端插入充电器后面的电源插座中。
2. 将电源线的墙上插座端插入合适的交流电源插座中。充电器指示灯绿灯闪烁一次表示电源成功接通。
3. 将 IMPRES 电池或者带 IMPRES 电池的对讲机（对讲机已关闭）插入充电座中，具体方法如下：
 - a. 将电池两侧的凹槽与充电座两侧的凸起对齐。
 - b. 将电池向充电座的后方压入。
 - c. 将电池插入充电座中，并确保充电器和电池的触点完全接触。
4. 从充电器中取出对讲机或 IMPRES 电池时，要用双手从充电座中取出对讲机或电池，一只手握住充电器，另一只手取出对讲机或电池。

一旦 IMPRES 电池完全插入充电座中，充电器指示灯会变亮，表示充电器已经确认插入的电池。参见表 1 中的充电指示灯说明。

表 1. IMPRES 电池充电指示灯

充电指示灯	说明
绿灯闪烁一次	充电器已接通电源。
持续的红灯	电池处于快速充电模式。
闪烁的绿灯	电池已完成快速充电 (>90 % 的可用电量)。电池基本上已充足电量 (缓慢充电)。
持续的绿灯	电池已完成充电并完全充满。
闪烁的橙色灯	充电器确认插入了电池，正准备充电。(电池电压太低，或者电池温度太低或太高，无法进行充电。对上述情况进行改善后，电池将会自动开始充电。)
闪烁的红灯	无法对电池进行充电，或者电池没有完全插入。
持续的橙色灯	(此功能只适用于 IMPRES 电池) 电池处于修复或初始化模式。充电器处于此模式的时间长度取决于电池插入时电池的充电状态。(与完全放电的电池相比，完全充满电的电池需要更长的修复时间 - 8 到 12 小时或更长。)
闪烁的红灯 / 绿灯	(此功能只适用于 IMPRES 电池) 电池已完成充电并完全充满。可以继续使用电池，但已接近其使用寿命。

初始化

要使摩托罗拉 IMPRES 电池和自适应充电系统的功能完全可用，就必须在充电器第一次对电池进行充电时将摩托罗拉 IMPRES 电池中包含的数据初始化。此过程是由充电器上 *持续的橙色灯* 来表示的 (也可以表示电池正在修复)。此过程是自动执行的，包括开始进行电池修复，以及在此过程结束后开始充电。在这个过程中需要对电池进行初始化，因此应当将电池放在充电器中大约 12 个小时以便完成该过程。在 *持续的绿灯* 亮起之前不要取出该电池。

自动修复

摩托罗拉 IMPRES 自适应充电器与摩托罗拉 IMPRES 电池配合使用时，能够确定何时需要修复该电池 (要求去除 IMPRES 电池中的记忆)。

将 IMPRES 电池正确插入充电器时，该充电器确定是否需要对该电池进行修复。如果电池需要修复，充电器会自动显示 *持续的橙色灯*。此过程最长需要 12 个小时来完成，时间长短取决于电池插入时电池的充电状态和电量级别。

需要强调的是，为了保证修复成功，必须允许 IMPRES 电池完成修复 / 再充电过程。将电池插在充电器中，直到充电器显示 *持续的绿灯*。

修复过程完成后，充电器会自动对 IMPRES 电池重新进行充电。

手动终止修复过程

在摩托罗拉 IMPRES 电池的修复过程中（*持续的橙色灯* 指示），通过取出电池并在 5 秒内再将该电池插入到充电器中可以停止修复操作。这样做可以使充电器终止修复过程，而开始充电过程。充电器指示灯会变为 *持续的红灯*。在下次插入该电池时充电器将尝试修复它。

手动启动修复过程

从开始插入 IMPRES 电池的 2 分钟半（*持续的红灯* 指示）内，取出并在 5 秒内再插入该电池，可以手动强制充电器对该电池进行修复。充电器指示灯将从 *持续的红灯* 变为 *持续的橙色灯*。这样做可以使充电器开始修复电池并自动重新充电。当 IMPRES 电池存放了数月或更长时间时此功能非常有用。由于长时间存放而没有使用电池，需要两个或三个手动修复周期才能够恢复电池的动力。

故障排除

当充电器出现故障时，请首先检查 LED 指示灯的颜色。

表 2. 故障排除

问题	可能的原因 ...	解决方法 ...
充电器无指示	1a. 充电器触点没有接触好。 1b. 充电器没有供电。	1a. 检查带电池的对讲机或单独的电池是否正确插入。 1b. <ul style="list-style-type: none">请确定电源线是否被正确插入到充电器和相应的交流电源插座中，并且电源插座上有电。更换保险丝。

表 2. 故障排除 (续)

问题	可能的原因 ...	解决方法 ...
闪烁的红色指示灯	2a. 充电器触点没有接触好。	2a. <ul style="list-style-type: none"> • 从充电器上取出电池，重新将其插入到充电器中。 • 检查电池是否是表 4 中列出的、摩托罗拉认可的电池。其它类型的电池不能使用此充电器进行充电。 • 断开充电器的电源，使用干净的软布清洁电池和充电器上的金属充电触点。
	2b. 无法对电池进行充电。	2b. 更换电池。
闪烁的橙色指示灯	3. 电池等待充电。电池温度可能低于 5 °C (41 °F) 或高于 40 °C (104 °F)，或电池电压可能低于预先设定的快速充电门限电压。	3. 对上述情况进行改善后，电池将会自动开始充电。

维修

IMPRES 自适应多座充电器只能由摩托罗拉认可的专业技术人员进行维修。如果违反此项规定，摩托罗拉将不承担设备的保修责任。有关多座充电器和充电器显示模块适用性的详细信息，请参见该充电器维修手册 6871357L01。

有关美国的维修服务，请联系以下部门。在将产品寄给该部门进行维修前，请先致电并确认。

摩托罗拉维修中心
 2200 Galvin Drive
 Elgin, IL 60123
 1-800-422-4210 (美国和加拿大)
 1-847-538-8023 (全球)

有关维修服务 (EMEA)，请联系以下部门。在将产品寄给该部门进行维修前，请先致电并确认。

摩托罗拉维修中心
 Motorola GmbH
 Customer Care
 Am Borsigturm 130
 13507 Berlin
 Germany
 Tel: +49 30 6686 1555

摩托罗拉认可的电源线

此充电器是为 100 VAC 到 240 VAC, 50 / 60 Hz 应用而设计的，并且使用以下摩托罗拉电源线。

表 3. 摩托罗拉电源线

插头类型	充电器组件	充电器组件 (显示模式)	电源线
无电源线 / 插头	WPLN4211/B	WPLN4218/B	无
美国	WPLN4212/B	WPLN4219/B	3087791G01
欧洲	WPLN4213/B	WPLN4220/B	3087791G04
英国	WPLN4214/B	WPLN4221/B	3087791G07
澳大利亚 / 新西兰	WPLN4215/B	WPLN4222/B	3087791G10
阿根廷	WPLN4216/B	WPLN4223/B	3087791G13
韩国	WPLN4217/B	WPLN4224/B	3087791G16
欧洲、中东和非洲地区	WPLN4237/B	WPLN4238/B	3087791G01
美国 / 北美 1-UP	无	WPLN4239/B	3087791G01
日本	PMLN5256/B	无	无
巴西	WPLN4277/B	WPLN4278/B	3087791G22

摩托罗拉认可的电池

下表列出的电池可以用于表标题所描述的特定用户对讲机。

表 4. 用于专业数字对讲机的标准和IMPRES 电池

组件 (部件编号)	化学特性	FM	IMPRES
PMNN4065	镍氢电池	否	否
PMNN4066	锂电池	否	是
PMNN4069	锂电池	是	是
PMNN4077	锂电池	否	是
PMNN4101	锂电池	否	是
PMNN4102	锂电池	是	是
PMNN4103	锂电池	否	是
PMNN4104	镍氢电池	否	否
PMNN4406	锂电池	否	否
PMNN4407	锂电池	否	是
PMNN4409	锂电池	否	是
PMNN4412	镍氢电池	否	否
PMNN4415	镍氢电池	否	否
PMNN4416	锂电池	否	否
PMNN4417	锂电池	否	是
PMNN4418	锂电池	否	是
PMNN4424	锂电池	否	是
NNTN8128	锂电池	否	是
NNTN8129	锂电池	是	是
NNTN8305	锂电池	否	是

注：
NNTN8305 电池仅与 MUC B 及更高版本兼容。

表 5. 用于 MOTOTRBO 对讲机 (XPR 7550 Ex、DP 4801 Ex、DP 4401 Ex、XiR P8668 Ex、XiR P8608 Ex、DGP 8550 Ex、DGP 8050 Ex) 的标准和 IMPRES 电池

组件 (部件编号)	化学特性	FM	IMPRES
NNTN8359	锂离子	否;ATEX	是

注：如果充电器上的充电指示灯持续显示电池有故障或偏离表 1 中列出的情况，则不允许继续在危险环境中使用该电池。

IMPRES 功能 / 优点介绍

IMPRES 能源解决方案是一套先进的 Tri Chemistry 能源系统，由摩托罗拉公司开发。该能源系统包括 (a) IMPRES 电池，(b) IMPRES 自适应多座充电器和 (c) 能够让 IMPRES 兼容的对讲机与 IMPRES 电池之间进行通信的对讲机硬件 / 软件。

IMPRES 自适应多座充电器与摩托罗拉 IMPRES 电池一起使用时具有以下功能：

1. 通过自动消除记忆影响来延长两次充电之间的使用时间。
2. 通过在慢速充电和快速充电过程中有效降低热聚积效应，最大限度的延长了电池的使用寿命。
3. 无须购买修复设备和对人员进行“管理电池维护任务”的培训。

通过采用这种具有专利权的系统方法，无需对 IMPRES 电池的使用进行追踪和记录，并且无需进行手动修复过程，或者在充电后从充电器上取下电池。

IMPRES 自适应多座充电器监视 IMPRES 电池的使用情况，并将此信息存储在 IMPRES 电池中，然后在需要时执行修复操作。

无论 IMPRES 电池插在充电座中的时间有多长，IMPRES 自适应多座充电器都不会使电池过热。该充电器能够对电池进行监视，并自动根据需要“结束”电池的充电过程。

充电器显示模块 (CDM)

通过增加充电器显示模块 (CDM) 可以增强 IMPRES 自适应多座充电器的功能。您可以订购并安装该模块，其摩托罗拉部件编号为 RLN5382。

一般显示信息

带 CDM 的 IMPRES 自适应多座充电器在进行电池修复和养护时为用户提供了重要信息。在下表中详细介绍了充电器显示的信息和对应的 LED 指示灯。

启动

充电器电源接通

LED	绿灯闪烁一次
第 1 行	IMPRES
第 2 行	

如果充电座中没有电池

LED	关
第 1 行	NO BATTERY (无电池)
第 2 行	

正在读取电池数据

LED	定义的指示
第 1 行	READING (正在阅读)
第 2 行	BATTERY DATA (电池数据)

充电座中插入非 IMPRES 电池

LED	由充电状态决定
第 1 行	NON-IMPRES (非 IMPRES)
第 2 行	BATTERY (电池)

充电座中插入 IMPRES 电池

显示 IMPRES 和软件版本

LED	由充电状态决定
第 1 行	IMPRES
第 2 行	SW xx.yy; aa.bb

注：

xx.yy 表示充电器软件版本，aa.bb 表示 CDM 软件版本。

显示 IMPRES 电池组件编号和序列号

(每个 IMPRES 电池都显示唯一的序列号以便于标识 ID)

LED	由充电状态决定
第 1 行	KIT# -----
第 2 行	SN: -----

显示 IMPRES 电池组件编号 # 和化学特性

LED	由充电状态决定
第 1 行	KIT# -----
第 2 行	----CHEMISTRY (化学特性)

在自动修复前预测的周期数

LED	由充电状态决定
第 1 行	----CYCLES (周期)
第 2 行	TO RECONDITION (完成修复)

* 只有在下一个修复周期前估计的周期数小于 6 时才显示。

因为电池温度较高，充电器等待充电

LED	闪烁的橙色灯
第 1 行	WAITING TO CHG (等待充电)
第 2 行	HOT BATTERY (电池温度过高)

因为电池温度较低，充电器等待充电

LED	闪烁的橙色灯
第 1 行	WAITING TO CHG (等待充电)
第 2 行	COLD BATTERY (电池温度过低)

因为电池电压低，充电器等待充电

LED	闪烁的橙色灯
第 1 行	WAITING TO CHG (等待充电)
第 2 行	LOW VOLTAGE (电池低电压)

注：

不会显示上述所有画面。例如，如果满足条件，将只显示 Waiting to Charge (等待充电) 画面 (电池温度过高、过低、低电压)。

充电器处于快速充电模式

LED	持续的红灯
第 1 行	RAPID CHARGE (快速充电)
第 2 行	

充电器处于慢速充电模式

LED	闪烁的绿灯
第 1 行	TRICKLE CHARGE (慢速充电)
第 2 行	

充电完成

LED	持续的绿灯或闪烁的红灯 / 绿灯
第 1 行	CHARGE COMPLETE (充电完成)
第 2 行	

充电器处于放电 / 修复模式

LED	持续的橙色灯
第 1 行	DISCHARGE (放电)
第 2 行	

充电器正在校准 IMPRES 电池

LED	持续的橙色灯、持续的红灯和闪烁的橙色灯或绿灯
第 1 行	Calibrating (正在校准)
第 2 行	Battery (电池)

充电器正在校准 IMPRES 电池

LED	持续的绿灯
第 1 行	Battery (电池)
第 2 行	Calibrated (已校准)

* 所有的 IMPRES 电池在初次使用前都应当进行校准。IMPRES 充电器将自动对所有的新电池启动校准操作。

电池容量数据显示为“%”（单位为 mA_H），而且只显示 IMPRES 电池的电压

LED	由充电状态决定
第 1 行	---% RATED CAP. (额定容量)
第 2 行	---mA _H --.V

仅对 IMPRES 电池充电后估计的容量

LED	由充电状态决定
第 1 行	EST CAP AFTER (估计的容量)
第 2 行	CHARGE xx% (充电后)

注：

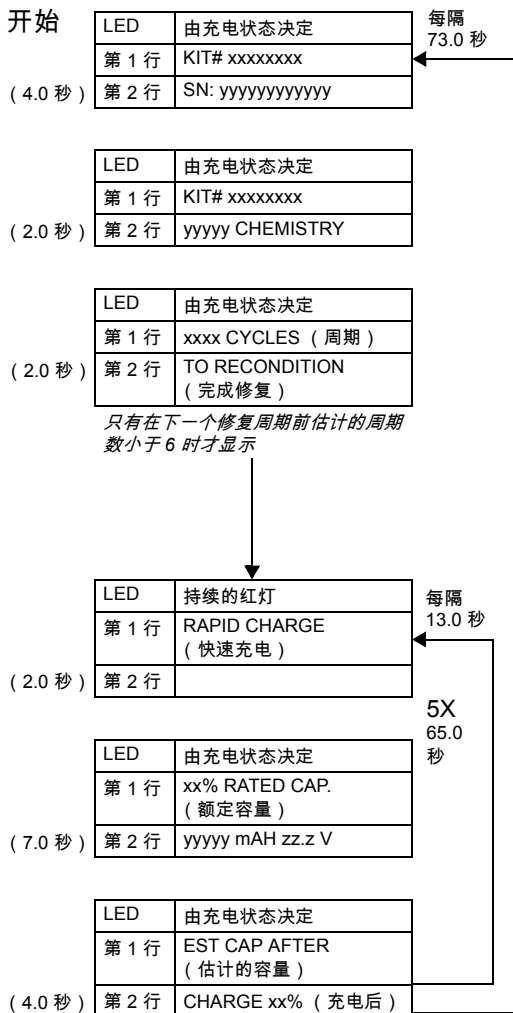
如果将完全充满电的 IMPRES 电池马上插入到不同的充电座中，由于估计中考虑了一些损失，因此电池显示的电量会略微低于初始容量。当电池在新的充电座中充满电时，此充电器将校正此偏差，这一般需要数分钟的时间。

注：

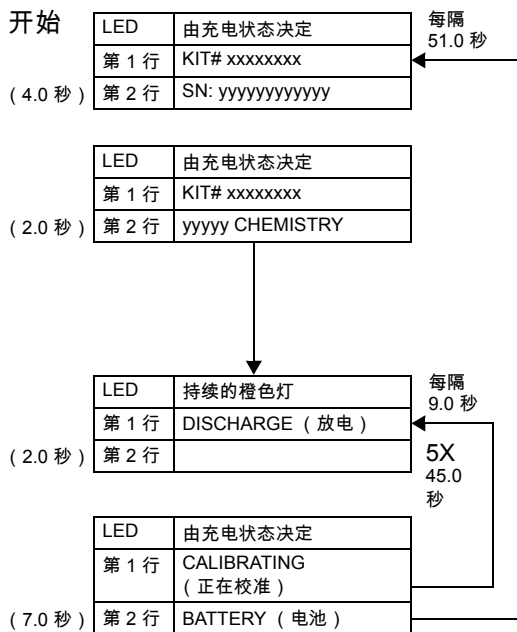
- (1) 估计完成快速充电的时间中包含完成放电需要的时间和完成快速充电需要的时间。
- (2) 对于未校准的电池可能不显示电池容量信息。
- (3) 使用 IMPRES 电池和非 IMPRES 充电器会影响容量和充电时间的准确性。
- (4) 使用未校准的 IMPRES 电池组会影响充电时间的准确性。

IMPRES 电池的顺序图

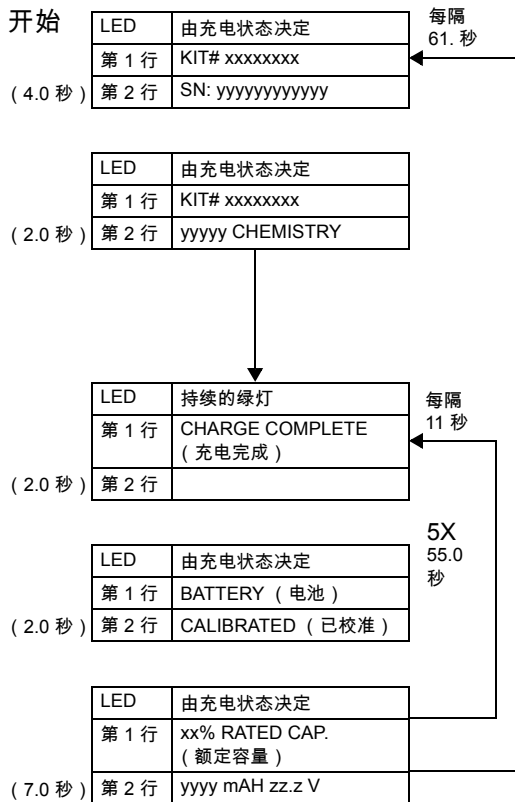
IMPRES 锂电池显示顺序



校准前：



校准后：



显示文字方向

为了能够采用桌面安装或墙壁安装的方式来安装 IMPRES 自适应多座充电器，CDM 带有一种能将显示文字“旋转”180 度的功能。要实现此功能，将一个大别针插入与桌面垂直的显示屏下方的小孔中。一声“咔哒”声表示已启动切换按钮，这样就可将文字旋转 180 度。

DAFTAR ISI

Petunjuk Penting Mengenai Keselamatan	2
Pedoman Keselamatan untuk Penggunaan Produk	3
Petunjuk Penggunaan	4
Prosedur Pengisian Baterai	4
Inisialisasi	6
Pemulihan Secara Otomatis	6
Menghentikan Proses Pemulihan secara Manual	7
Memulai Proses Pemulihan secara Manual	7
Penanggulangan Masalah	8
Perbaikan	8
Kabel Resmi Motorola	10
Baterai Resmi Motorola	10
Keterangan Fitur / Keunggulan IMPRES	11
Modul Tampilan Pengisi Baterai (CDM)	13
Informasi Umum Tampilan	13
Diagram Urut untuk Baterai IMPRES	17
Orientasi Teks Tampilan	20

PETUNJUK PENTING MENGENAI KESELAMATAN SIMPANLAH PETUNJUK INI

Dokumen ini berisi petunjuk penting mengenai keselamatan dan penggunaan produk. Bacalah petunjuk ini dengan saksama dan simpanlah sebagai referensi.

Sebelum menggunakan pengisi baterai, bacalah semua petunjuk dan tanda peringatan yang terdapat pada (1) pengisi baterai, (2) baterai, dan (3) radio yang menggunakan baterai.



PERINGATAN

1. Untuk mengurangi risiko cedera, gunakan hanya baterai isi ulang resmi Motorola yang tercantum di dalam Tabel 4. Baterai yang lain dapat meledak dan menyebabkan cedera atau kerusakan.
2. Penggunaan aksesoris yang tidak disarankan oleh Motorola dapat mengakibatkan kebakaran, sengatan listrik, atau cedera.
3. Untuk mengurangi risiko terjadinya kerusakan steker dan kabel, tariklah kepala steker listrik bila ingin melepaskan pengisi baterai.
4. Jangan menggunakan kabel perpanjangan kecuali amat terpaksa. Penggunaan kabel perpanjangan secara tidak benar dapat mengakibatkan kebakaran dan sengatan listrik. Jika terpaksa menggunakan kabel perpanjangan, pastikan ukuran kabel adalah 18 AWG untuk panjang sampai dengan 100 kaki (30,48 m), dan 16 AWG untuk panjang sampai dengan 150 kaki (45,72m).
5. Untuk mengurangi risiko kebakaran, sengatan listrik, atau cedera, jangan menggunakan pengisi baterai bila pengisi baterai rusak atau cacat. Bawalah pengisi baterai ke perwakilan servis Motorola yang resmi.
6. Pengisi Adaptif Multibaterai IMPRES hanya dapat diperbaiki oleh teknisi resmi Motorola yang terlatih. Pelanggaran kebijakan ini dapat membatalkan garansi produk.



PERINGATAN

7. Untuk mengurangi risiko sengatan listrik, lepaskan pengisi baterai dari stopkontak listrik sebelum melakukan tindakan pemeliharaan atau pembersihan.

8. Untuk penggantian sekring, gunakan hanya sekring dengan jenis dan spesifikasi yang sama dengan yang tertera pada label pengisi baterai. Ganti sekring hanya dengan Cooper-Bussman GDC-3.15 atau yang disetujui setara. Suku cadang berikut dapat dipesan dari Motorola Radio Products and Services Division (1-800-422-4210 [US dan Canada] atau 1-847-538-8023 [Internasional]):

Sekring 6571489S01
Penutup 0987739G01

9. Ini merupakan produk kelas A. Karena produk ini dapat menimbulkan interferensi radio di lingkungan tempat tinggal, pengguna harus melakukan tindakan pencegahan yang memadai.

PEDOMAN KESELAMATAN UNTUK PENGGUNAAN PRODUK

- Matikan pesawat radio sewaktu mengisi baterai.
- Peralatan ini tidak cocok untuk digunakan di luar ruangan. Gunakan hanya di lokasi / kondisi yang kering.
- Hubungkan alat ke catu daya listrik yang dilengkapi sekring dan rangkaian yang baik dengan voltase yang sama (seperti yang tertera pada produk).
- Putuskan hubungan dengan catu daya listrik dengan melepaskan steker dari stopkontak.
- Stopkontak listrik yang akan digunakan untuk alat ini sebaiknya cukup dekat dan mudah dicapai.
- Untuk peralatan yang menggunakan sekring, penggantian harus sesuai dengan tipe dan spesifikasi yang tertera di dalam petunjuk alat.

- Suhu sekitar maksimum di daerah pengisi baterai tidak boleh melebihi 40 °C (104 °F).
- Pastikan posisi kabel tidak akan mengganggu sehingga tidak akan terinjak, menyebabkan orang tersandung, terkena air, mengalami kerusakan atau regangan yang berlebihan.
- Alat ini menggunakan dudukan dinding yang sama dengan Pengisi Multibaterai NTN4796. Nomor suku cadang dudukan dinding adalah NLN7967.

PETUNJUK PENGGUNAAN

Sistem Pengisi Adaptif Baterai IMPRES merupakan sebuah sistem otomatis penuh untuk pemeliharaan baterai. Pengguna hanya perlu mengikuti langkah-langkah sederhana berikut:

1. Letakkan radio / baterai IMPRES di dalam pengisi baterai.
2. Keluarkan radio / baterai IMPRES bila sudah terisi penuh (LED menyala HIJAU tanpa berkedip).

Lubang-lubang dudukan baterai dapat diisi oleh pesawat radio dengan baterai IMPRES terpasang atau baterai IMPRES itu sendiri. **Sebelum mengisi ulang pesawat radio dengan baterai IMPRES terpasang, matikan pesawat radio terlebih dahulu.** Pengisian baterai paling baik dilakukan pada suhu ruang.

Prosedur Pengisian Baterai

1. Hubungkan ujung pengisi baterai dari kabel listrik ke dalam soket di bagian belakang pengisi baterai.
2. Hubungkan ujung stopkontak dari kabel listrik ke stopkontak listrik yang sesuai spesifikasi. Penyambungan yang baik ke catu daya listrik ditandai oleh indikator pada pengisi baterai yang **BERKEDIP HIJAU SATU KALI**.

3. Masukkan baterai IMPRES atau pesawat radio dengan baterai IMPRES terpasang (**radio dalam keadaan dimatikan**) ke dalam lubang dudukan baterai dengan:
 - a. Menjajarkan alur pada sisi-sisi baterai dengan rel-rel pasangannya di sisi-sisi lubang dudukan baterai.
 - b. Mendorong baterai ke arah belakang lubang dudukan.
 - c. Menggeser baterai ke dalam lubang dudukan baterai, dan memastikan kontak antara pengisi baterai dan baterai sudah baik.

4. Untuk mengeluarkan pesawat radio atau baterai IMPRES dari pengisi baterai, gunakan dua tangan - satu tangan untuk memegang dan menahan pengisi baterai, dan tangan yang satunya untuk mengeluarkan pesawat radio atau baterai.

Setelah posisi baterai IMPRES di dalam lubang dudukan sudah benar, indikator pengisian akan menyala untuk menandakan bahwa pengisi baterai mendeteksi adanya baterai di dalam lubang dudukan. Lihat keterangan indikator pengisian di dalam Tabel 1.

Tabel 1. Indikator Pengisian Baterai IMPRES

Indikator Pengisian	Keterangan
<i>Berkedip Hijau Satu Kali</i>	Pengisi baterai sudah menyala.
<i>Merah Tanpa Kedip</i>	Baterai berada dalam mode pengisian cepat.
<i>Hijau Berkedip</i>	Baterai sudah keluar dari mode pengisian cepat (kapasitas sudah >90%). Baterai berada dalam mode pengisian Top-Off (pengisian lambat).
<i>Hijau Tanpa Kedip</i>	Baterai sudah selesai diisi dan dalam keadaan terisi penuh.
<i>Oranye Berkedip</i>	Baterai terdeteksi oleh pengisi baterai tetapi menunggu untuk diisi. (Voltase baterai terlalu rendah atau suhu baterai terlalu rendah atau terlalu tinggi untuk melakukan pengisian. Setelah kondisi ini berlalu, baterai akan mulai diisi secara otomatis.)
<i>Merah Berkedip</i>	Baterai tidak dapat diisi atau baterai belum terpasang dengan benar.

Tabel 1. Indikator Pengisian Baterai IMPRES (lanjutan)

Indikator Pengisian	Keterangan
<i>Oranye Tanpa Kedip</i>	(Fitur ini berlaku hanya untuk baterai IMPRES) Baterai berada dalam mode pemulihan atau inisialisasi. Lamanya waktu pengisi baterai berada dalam mode ini tergantung pada keadaan semula isi baterai saat baterai dimasukkan. (Baterai yang terisi penuh membutuhkan waktu lebih banyak untuk pemulihan – 8 sampai 12 jam atau lebih – dibandingkan baterai yang kosong sama sekali.)
<i>Merah / Hijau Berkedip</i>	(Fitur ini berlaku hanya untuk baterai IMPRES) Baterai sudah selesai diisi dan dalam keadaan terisi penuh. Baterai tetap dapat digunakan, namun mungkin akhir umur pakai baterai sudah dekat.

INISIALISASI

Agar fitur baterai IMPRES Motorola dan Sistem Pengisian Adaptif tersedia secara penuh, data di dalam baterai IMPRES Motorola harus diinisialisasi oleh pengisi baterai saat pertama kali baterai diisi. Proses ini ditandai oleh lampu **ORANYE TANPA BERKEDIP** pada indikator pengisian (sama seperti bila baterai sedang dipulihkan). Proses ini dilakukan secara otomatis, termasuk pemulihan awal dari baterai, dan akan mulai melakukan pengisian begitu inisialisasi selesai. Proses inisialisasi baterai membutuhkan cukup banyak waktu. Oleh karena itu, baterai sebaiknya dibiarkan di dalam pengisi baterai selama kira-kira 12 jam. Jangan mengeluarkan baterai dari pengisi baterai sampai lampu menyala **HIJAU TANPA BERKEDIP**.

PEMULIHAN SECARA OTOMATIS

Pengisi Adaptif Baterai IMPRES Motorola, bila digunakan bersama dengan baterai IMPRES Motorola, memiliki kemampuan untuk menentukan waktu yang tepat untuk melakukan pemulihan baterai (menghilangkan masalah memori di dalam baterai IMPRES).

Saat baterai IMPRES dimasukkan ke dalam pengisi baterai dengan benar, pengisi baterai akan menentukan apakah baterai perlu dipulihkan. Jika baterai perlu dipulihkan, indikator pengisi baterai akan

menyala **ORANYE TANPA BERKEDIP**. Proses ini dapat memakan waktu sampai dengan 12 jam, tergantung pada keadaan isi dan kapasitas dari baterai saat dimasukkan.

Perlu diperhatikan, agar proses ini efektif, baterai IMPRES harus diizinkan menyelesaikan proses pemulihan / pengisian ulang. Biarkan baterai di dalam pengisi baterai sampai indikator pengisi baterai menyala **HIJAU TANPA BERKEDIP**.

Setelah selesai siklus pemulihan, pengisi baterai akan mengisi ulang baterai IMPRES secara otomatis.

Menghentikan Proses Pemulihan secara Manual

Selama proses pemulihan baterai IMPRES Motorola (indikator **ORANYE TANPA BERKEDIP**), pemulihan dapat dihentikan setiap saat dengan mengeluarkan dan memasukkan kembali baterai ke dalam pengisi baterai dalam waktu 5 detik. Ini akan menyebabkan pengisi baterai menghentikan proses pemulihan dan memulai proses pengisian. Indikator pengisi baterai akan berubah menjadi **MERAH TANPA BERKEDIP**. Pengisi baterai akan berusaha melakukan pemulihan baterai pada kesempatan berikutnya.

Memulai Proses Pemulihan secara Manual

Dalam waktu 2 1/2 menit setelah baterai IMPRES dimasukkan (indikator **MERAH TANPA BERKEDIP**), keluarkan dan masukkan kembali baterai dalam waktu 5 detik untuk menjalankan proses pemulihan. Indikator pengisi baterai akan berubah dari **MERAH TANPA BERKEDIP** menjadi **ORANYE TANPA BERKEDIP**. Ini akan memaksa pengisi baterai untuk melakukan pemulihan dan mengisi baterai secara otomatis. Ini merupakan fitur yang berguna jika baterai IMPRES telah disimpan selama beberapa bulan atau lebih. Dua atau tiga siklus pemulihan manual mungkin diperlukan untuk memulihkan baterai, akibat kondisi penyimpanan jangka panjang.

PENANGGULANGAN MASALAH

Bila ingin menemukan dan mengatasi masalah pengisian baterai, selalu perhatikan warna dari LED.

Tabel 2. Penanggulangan Masalah

Masalah	Artinya...	Yang harus dilakukan...
Indikator tidak menyala	1a. Kontak antara baterai dan pengisi baterai kurang baik. 1b. Tidak ada daya listrik ke pengisi baterai.	1a. Pastikan bahwa pesawat radio dengan baterai, atau baterainya sendiri, sudah dimasukkan dengan benar. 1b. Pastikan bahwa kabel listrik sudah dihubungkan ke pengisi baterai dan stopkontak listrik yang sesuai spesifikasi, dan ada aliran listrik pada stopkontak listrik tersebut.
Merah Berkedip	2a. Kontak antara baterai dan pengisi baterai kurang baik. 2b. Baterai tidak dapat diisi ulang.	2a. <ul style="list-style-type: none">• Keluarkan baterai dari pengisi baterai dan masukkan kembali ke pengisi baterai.• Pastikan bahwa baterai adalah baterai resmi Motorola yang tercantum di dalam Tabel 4. Baterai yang lain mungkin tidak dapat diisi ulang dengan alat ini.• Lepaskan pengisi baterai dari stopkontak listrik dan dengan menggunakan kain bersih yang kering, bersihkan kontak-kontak berwarna emas pada baterai dan pengisi baterai. 2b. Ganti baterai.
Oranye Berkedip	3. Baterai menunggu untuk diisi ulang. Suhu baterai mungkin kurang dari 5 °C (41 °F) atau lebih dari 40 °C (104 °F) atau tegangan baterai lebih rendah dari batas minimum untuk pengisian cepat.	3. Setelah kondisi ini berlalu, baterai akan mulai diisi secara otomatis (LED Merah Tanpa Berkedip).

PERBAIKAN

Pengisi Adaptif Multibaterai IMPRES hanya dapat diperbaiki oleh teknisi resmi Motorola yang terlatih. Pelanggaran kebijakan ini akan membatalkan garansi produk. Untuk keterangan lebih lanjut mengenai perbaikan Pengisi Multibaterai dan Modul Tampilan Pengisi Baterai, lihat manual perbaikan pengisi baterai, 6871357L01.

Untuk tindakan perbaikan di Amerika Serikat, hubungi depot berikut. Hubungi depot melalui telepon dan konfirmasi pengembalian produk Anda sebelum mengirim produk ke depot untuk perbaikan.

Motorola Service Center

2200 Galvin Drive
Elgin, IL 60123
1-800-422-4210 (US & Canada)
1-847-538-8023 (Internasional)

Untuk tindakan perbaikan (EMEA), hubungi depot berikut. Hubungi depot melalui telepon dan konfirmasi pengembalian produk Anda sebelum mengirim produk ke depot untuk perbaikan.

Motorola Service Center

Motorola GmbH
Customer Care
Am Borsigturm 130
13507 Berlin
Germany
Tel: +49 30 6686 1555

KABEL RESMI MOTOROLA

Pengisi baterai ini dirancang untuk penggunaan 100 VAC sampai 240 VAC, 50 / 60 Hz dan menggunakan kabel Motorola berikut.

Tabel 3. Kabel Listrik Motorola

Tipe Steker	Kit Pengisi Baterai	Kit Pengisi Baterai (Model Tampilan)	Kabel Listrik
Tanpa kabel / steker listrik	WPLN4211/B	WPLN4218/B	Tidak ada
U.S.	WPLN4212/B	WPLN4219/B	3087791G01
Euro	WPLN4213/B	WPLN4220/B	3087791G04
U.K.	WPLN4214/B	WPLN4221/B	3087791G07
Australia / Selandia Baru	WPLN4215/B	WPLN4222/B	3087791G10
Argentina	WPLN4216/B	WPLN4223/B	3087791G13
Korea	WPLN4217/B	WPLN4224/B	3087791G16
EMEA Hybrid	WPLN4237/B	WPLN4238/B	3087791G01
US / NA 1-UP	Tidak ada	WPLN4239/B	3087791G01
Jepang	PMLN5256/B	Tidak ada	Tidak ada
Brazil	WPLN4277/B	WPLN4278/B	3087791G22

BATERAI RESMI MOTOROLA

Di dalam tabel-tabel berikut terdapat baterai-baterai yang dapat digunakan dengan radio pelanggan tertentu yang tercantum di dalam judul tabel.

Tabel 4. Baterai Standar & IMPRES untuk Pesawat Radio Digital Profesional

Kit (PN)	Jenis (Kimiawi)	FM	IMPRES
PMNN4065	NiMH	Tidak	Tidak
PMNN4066	Li-Ion	Tidak	Ya
PMNN4069	Li-Ion	Ya	Ya
PMMN4077	Li-Ion	Tidak	Ya
PMNN4101	Li-Ion	Tidak	Ya

Tabel 4. Baterai Standar & IMPRES untuk Pesawat Radio Digital Profesional

Kit (PN)	Jenis (Kimiawi)	FM	IMPRES
PMNN4102	Li-Ion	Ya	Ya
PMNN4103	Li-Ion	Tidak	Ya
PMNN4104	NiMH	Tidak	Tidak
PMNN4406	Li-Ion	Tidak	Tidak
PMNN4407	Li-Ion	Tidak	Ya
PMNN4409	Li-Ion	Tidak	Ya
PMNN4412	NiMH	Tidak	Tidak
PMNN4415	NiMH	Tidak	Tidak
PMNN4416	Li-Ion	Tidak	Tidak
PMNN4417	Li-Ion	Tidak	Ya
PMNN4418	Li-Ion	Tidak	Ya
PMNN4424	Li-Ion	Tidak	Ya
NNTN8128	Li-Ion	Tidak	Ya
NNTN8129	Li-Ion	Ya	Ya
NNTN8305	Li-Ion	Tidak	Ya

Catatan: Baterai NNTN8305 hanya kompatibel dengan MUC Revisi B dan yang lebih baru.

Tabel 5. Baterai Standar & IMPRES untuk Radio MOTOTRBO (XPR 7550 Ex, DP 4801 Ex, DP 4401 Ex, XiR P8668 Ex, XiR P8608 Ex, DGP 8550 Ex, DGP 8050 Ex)

Kit (PN)	Jenis (Kimiawi)	FM	IMPRES
NNTN8359	Li-Ion	Tidak; ATEX	Ya

Catatan: Jika lampu indikator isi daya pada pengisi daya secara konsisten menunjukkan baterai rusak atau tidak sesuai dengan yang tercantum di Tabel 1, baterai tidak boleh digunakan di lingkungan berbahaya lagi.

KETERANGAN FITUR / KEUNGGULAN IMPRES

Solusi energi IMPRES merupakan sistem energi canggih untuk tiga jenis baterai (Tri-Chemistry) yang dikembangkan oleh Motorola yang mencakup (a) baterai IMPRES, (b) Pengisi Adaptif Multibaterai IMPRES, dan (c) perangkat keras / lunak pesawat radio yang memungkinkan pesawat radio yang kompatibel dengan IMPRES berkomunikasi dengan baterai IMPRES.

Pengisi Adaptif Multibaterai IMPRES, bila digunakan bersama baterai IMPRES Motorola akan:

1. Memaksimalkan waktu kerja antara siklus pengisian dengan menghilangkan efek memori secara otomatis.
2. Memaksimalkan umur baterai dengan mengurangi panas secara signifikan selama siklus pengisian lambat dan setelah selesai mengisi baterai.
3. Menghilangkan kebutuhan akan peralatan pemulihan baterai dan pelatihan staf untuk “mengelola kegiatan pemeliharaan baterai.”

Dengan pendekatan sistem unik yang sudah dipatenkan ini, tidak diperlukan lagi pencatatan dan pelacakan penggunaan baterai IMPRES, pelaksanaan siklus pemulihan secara manual, atau melepaskan baterai dari pengisi baterai setelah selesai mengisi baterai.

Pengisi Adaptif Multibaterai IMPRES akan memantau pola penggunaan baterai IMPRES, menyimpan informasi tersebut di dalam baterai IMPRES, dan menjalankan siklus pemulihan hanya bila dibutuhkan.

Pengisi Adaptif Multibaterai IMPRES tidak akan menyebabkan panas berlebih pada baterai IMPRES meskipun ditinggalkan di dalam lubang dudukan baterai untuk waktu yang lama. Pengisi baterai akan memantau baterai dan mengisi baterai dengan mode pengisian lambat (top off) secara otomatis sesuai keperluan.

MODUL TAMPILAN PENGISI BATERAI (CDM)

Pengisi Adaptif Multibaterai IMPRES dapat disempurnakan dengan penambahan sebuah modul tampilan pengisi baterai (CDM). Pesan dan pasang no. suku cadang Motorola RLN5382.

Informasi Umum Tampilan

Pengisi Adaptif Multibaterai IMPRES dengan CDM memberikan informasi yang berharga bagi pengguna saat menjalankan perawatan dan pemeliharaan baterai. Informasi yang ditampilkan pengisi baterai dan indikator LED yang berkaitan dijelaskan di dalam tabel-tabel berikut.

Penyalan

Saat Penyalan Pengisi Baterai

LED	BERKEDIP HIJAU SATU KALI
Baris 1	IMPRES
Baris 2	

Jika Tidak Ada Baterai di dalam Lubang Dudukan

LED	PADAM
Baris 1	TIDAK ADA BATERAI
Baris 2	

Membaca Data Baterai

LED	Indikasi Penyalan
Baris 1	PEMBACAAN
Baris 2	DATA BATERAI

Baterai non-IMPRES di dalam Lubang Dudukan

LED	Ditentukan oleh Keadaan Isi Baterai
Baris 1	NON-IMPRES
Baris 2	BATERAI

Baterai IMPRES di dalam Lubang Dudukan

IMPRES dan Versi Perangkat Lunak Ditampilkan

LED	Ditentukan oleh Keadaan Isi Baterai
Baris 1	IMPRES
Baris 2	SW xx.yy; aa.bb

CATATAN:

xx.yy menyatakan versi perangkat lunak dari pengisi baterai, dan aa.bb menyatakan versi perangkat lunak dari CDM.

*# Kit Baterai IMPRES dan # Seri Ditampilkan
(Masing-masing baterai IMPRES menampilkan # seri yang berbeda untuk memudahkan pengenalan)*

LED	Ditentukan oleh Keadaan Isi Baterai
Baris 1	KIT# -----
Baris 2	SN: -----

Kit Baterai IMPRES dan Jenis (Kimiawi) Ditampilkan

LED	Ditentukan oleh Keadaan Isi Baterai
Baris 1	KIT# -----
Baris 2	----JENIS

Prakiraan # Siklus Sebelum Pemulihan Otomatis

LED	Ditentukan oleh Keadaan Isi Baterai
Baris 1	----SIKLUS
Baris 2	SEBELUM PEMULIHAN

** Ditampilkan hanya jika jumlah siklus sebelum siklus pemulihan berikutnya diperkirakan kurang dari enam kali.*

Pengisi Baterai Menunggu untuk Diisi, Baterai Panas

LED	ORANYE Berkedip
Baris 1	MENUNGGU DIISI
Baris 2	BATERAI PANAS

Pengisi Baterai Menunggu untuk Diisi, Baterai Dingin

LED	ORANYE Berkedip
Baris 1	MENUNGGU DIISI
Baris 2	BATERAI DINGIN

Pengisi Baterai Menunggu untuk Diisi, Voltase Rendah

LED	ORANYE Berkedip
Baris 1	MENUNGGU DIISI
Baris 2	VOLTASE RENDAH

CATATAN:

Tidak semua layar di atas akan ditampilkan. Misalnya, tampilan Menunggu untuk Diisi (baterai panas, dingin, voltase rendah) hanya akan ditampilkan jika situasi tersebut terjadi.

Pengisi Baterai dalam Mode Pengisian Cepat

LED	MERAH tanpa kedip
Baris 1	PENGISIAN CEPAT
Baris 2	

Pengisi Baterai dalam Mode Pengisian Lambat

LED	HIJAU Berkedip
Baris 1	PENGISIAN LAMBAT
Baris 2	

Pengisian Selesai

LED	HIJAU tanpa kedip atau MERAH / HIJAU berkedip
Baris 1	PENGISIAN SELESAI
Baris 2	

Pengisi Baterai dalam Mode Pengosongan / Pemulihan

LED	ORANYE Tanpa Kedip
Baris 1	PENGOSONGAN
Baris 2	

Pengisi Baterai Mengkalibrasi Baterai IMPRES

LED	ORANYE tanpa kedip, MERAH tanpa kedip, & ORANYE atau HIJAU berkedip
Baris 1	Kalibrasi
Baris 2	Baterai

Pengisi Baterai Mengkalibrasi Baterai IMPRES

LED	HIJAU Tanpa Kedip
Baris 1	Baterai
Baris 2	Kalibrasi selesai

* Semua baterai IMPRES sebaiknya dikalibrasi sebelum digunakan untuk pertama kali. Pengisi baterai IMPRES akan memulai kalibrasi secara otomatis untuk semua baterai yang baru.

Data Kapasitas Baterai ditampilkan sebagai “%” dalam mA_H, dan Voltase khusus untuk Baterai IMPRES

LED	Ditentukan oleh Keadaan Isi Baterai
Baris 1	KAP. ----%
Baris 2	----mA _H --,-V

Estimasi Kapasitas Setelah Pengisian khusus untuk Baterai IMPRES

LED	Ditentukan oleh Keadaan Isi Baterai
Baris 1	EST KAP SETELAH
Baris 2	ISI xx%

CATATAN:

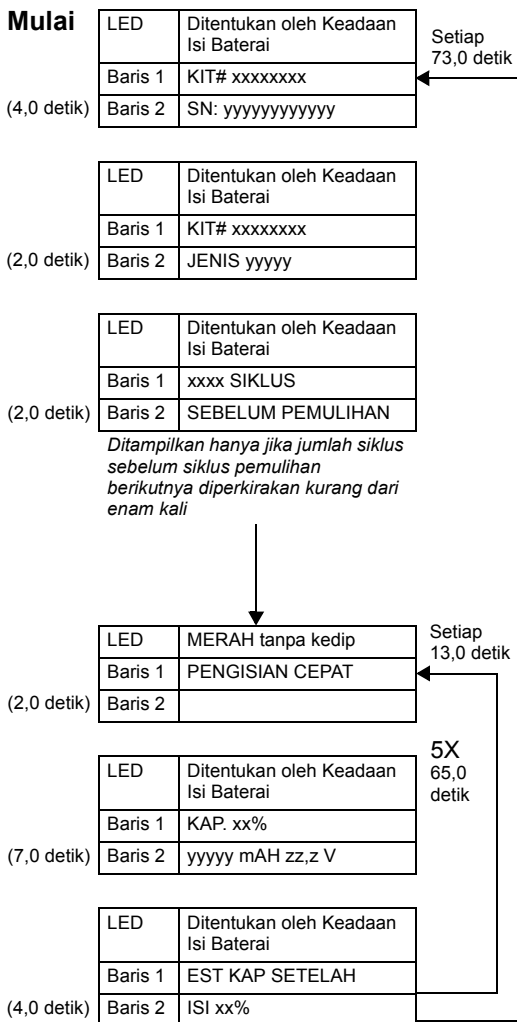
Baterai IMPRES yang terisi penuh tetapi langsung dimasukkan ke lubang dudukan yang lain dapat menunjukkan kapasitas yang sedikit lebih rendah akibat perhitungan perkiraan rugi-rugi di dudukan tersebut. Pengisi baterai akan memperbaiki nilai deviasi ini setelah baterai mencapai isi penuh di lubang dudukan yang baru, biasanya dalam beberapa menit saja.

CATATAN:

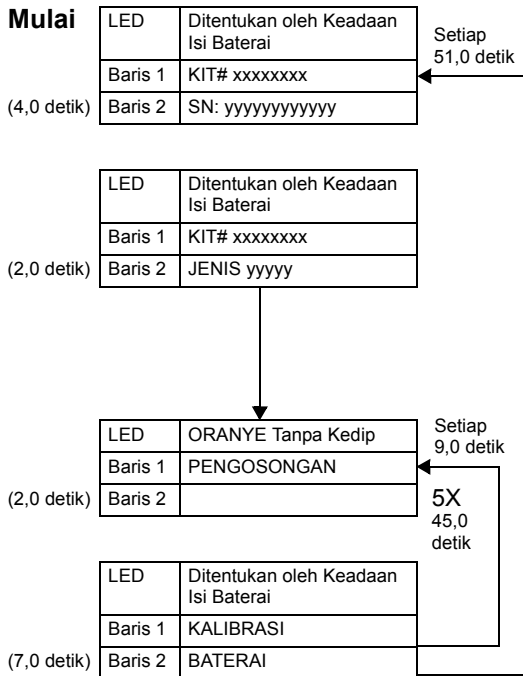
- (1)Perkiraan waktu untuk menyelesaikan pengisian cepat dapat mencakup waktu sisa yang diperlukan untuk menyelesaikan siklus pengosongan ditambah waktu yang diperlukan untuk menyelesaikan siklus pengisian cepat.
- (2)Informasi kapasitas baterai mungkin tidak akan ditampilkan untuk baterai yang belum dikalibrasi.
- (3)Penggunaan baterai IMPRES dengan pengisi baterai non-IMPRES dapat mempengaruhi ketepatan kapasitas dan waktu pengisian.
- (4)Penggunaan baterai IMPRES yang belum dikalibrasi dapat mempengaruhi ketepatan waktu pengisian.

Diagram Urut untuk Baterai IMPRES

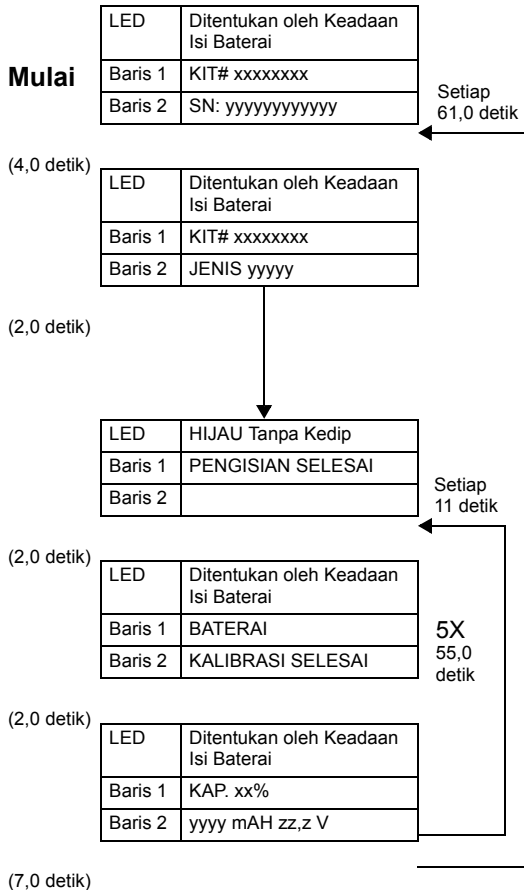
Urutan Tampilan Baterai Li-Ion IMPRES



Sebelum Kalibrasi:



Setelah Kalibrasi:



Orientasi Teks Tampilan

Agar Pengisi Adaptif Multibaterai IMPRES dapat dipasang di atas meja atau di dinding, CDM dilengkapi dengan kemampuan untuk “memutar” teks yang ditampilkan 180 derajat.

Untuk melakukan hal ini, masukkan klip kertas yang besar secara tegak lurus terhadap permukaan meja ke dalam lubang kecil yang berada di bawah tampilan. Bunyi “klik” menandakan bahwa tombol sudah ditekan dan teks akan diputar 180 derajat.

MOTOROLA, MOTO, MOTOROLA SOLUTIONS dan logo Stylized M adalah merek dagang atau merek dagang terdaftar Motorola Trademark Holdings, LLC dan digunakan berdasarkan lisensi. Semua merek dagang lainnya adalah properti dari masing-masing pemilik.

© 2007, 2010 – 2012 Motorola Solutions, Inc. Semua hak dilindungi undang-undang.

INHALTSVERZEICHNIS 1

Sicherheitsrichtlinien für den Betrieb	4
Bedienungsanleitung	5
Laden eines Akkus	5
Initialisierung	7
Automatische Rekonditionierung	7
Manuelles Beenden des Rekonditionierungsprozesses	8
Manuelles Einleiten des Rekonditionierungsprozesses	8
Fehlersuche	8
Service	10
Von Motorola zugelassene Netzkabel	11
Von Motorola zugelassene Akkus	12
Beschreibung der Merkmale und Leistungen des IMPRES-Ladegeräts.....	13
Ladegerät mit Displaymodul (CDM)	14
Allgemeine Informationen zum Display	14
Sequenzdiagramme für IMPRES Akku	18
Ausrichtung des Anzeigetextes	21

WICHTIGE SICHERHEITSHINWEISE BEWAHREN SIE DIESE HINWEISE AUF

Dieses Dokument enthält wichtige Sicherheits- und Bedienungshinweise. Bitte lesen Sie diese Hinweise sorgfältig durch und heben Sie das Handbuch auf, damit Sie sie später jederzeit nachschlagen können.

Lesen Sie alle Hinweise und Warnungen (1) am Ladegerät und (2) am Akku sowie (3) an dem Handsprechfunkgerät, in das der Akku eingesetzt wird.



ACHTUNG

1. Um die Verletzungsgefahr zu verringern, dürfen nur die in Tabelle 4 aufgeführten, von der Firma Motorola zugelassenen Akkus aufgeladen werden. Andere Akkus können beim Aufladen explodieren und Verletzungen bzw. Sachschäden verursachen.
2. Bei Verwendung von Zubehörteilen, die nicht von der Firma Motorola freigegeben sind, besteht Feuer-, Stromschlag- und Verletzungsgefahr.
3. Ziehen Sie den Stecker niemals am Kabel aus der Steckdose, wenn Sie die Stromversorgung des Ladegeräts unterbrechen möchten, um Beschädigungen des Netzkabels und des Steckers zu vermeiden.
4. Verwenden Sie nach Möglichkeit kein Verlängerungskabel. Bei Verwendung eines ungeeigneten Verlängerungskabels besteht Brand- und Stromschlaggefahr. Wenn der Einsatz eines Verlängerungskabels unbedingt erforderlich ist, muss auf die richtigen Kabeldurchmesser geachtet werden. Diese lauten wie folgt: Kabelgröße 18 AWG für Kabellängen bis zu 30,48 Meter und 16 AWG für Kabellängen bis zu 45,72 Meter.
5. Bei Verwendung schadhafter Ladegeräte besteht Feuer-, Stromschlag- und Verletzungsgefahr. Lassen Sie daher bitte beschädigte Ladegeräte vom Motorola-Kundendienst reparieren.
6. Das IMPRES-Mehrfachladegerät darf nur von einem von Motorola autorisierten qualifizierten Servicetechniker repariert werden. Bei Nichtbeachten dieses Hinweises kann die Garantie für das Gerät ungültig werden.



ACHTUNG

7. Bevor Sie das Ladegerät warten oder reinigen, sollten Sie den Netzstecker abziehen, um einem Stromschlag vorzubeugen.

8. Sicherungen dürfen nur durch Sicherungen desselben Typs und Bemessungsstroms ersetzt werden. Als Ersatzsicherungen sind Cooper-Bussman GDC-3.15 oder geprüfte gleichwertige Sicherungen zu verwenden. Die folgenden Teile können über die Motorola Radio Products and Services Division (1-800-422-4210 [USA und Kanada] bzw. 1-847-538-8023 [International]) bestellt werden:

Sicherung 6571489S01
Abdeckung 0987739G01

9. Dies ist ein als Klasse A eingestuftes Produkt. In häuslicher Umgebung kann dieses Produkt Funkstörungen verursachen. In diesem Fall obliegt es dem Benutzer, entsprechende Maßnahmen zu ergreifen.

SICHERHEITSRICHTLINIEN FÜR DEN BETRIEB

- Schalten Sie das Handsprechfunkgerät zum Laden eines Akkus ab.
- Das Ladegerät ist nicht für den Einsatz im Freien ausgelegt und darf nur in trockenen Räumen betrieben werden.
- Schließen Sie das Ladegerät nur an eine ordnungsgemäß gesicherte und verkabelte Steckdose an, die die richtige Spannung aufweist (siehe Etikett am Ladegerät).
- Ziehen Sie den Netzstecker ab, wenn das Ladegerät von der Netzspannung isoliert werden soll.
- Die Steckdose für das Ladegerät muss in der Nähe befindlich und leicht erreichbar sein.
- In Geräten mit Überspannungsschutz dürfen nur solche Sicherungen verwendet werden, die dem in der Bedienungsanleitung angegebenen Typ entsprechen.
- Das Ladegerät darf bei Umgebungstemperaturen über 40°C nicht eingesetzt werden.
- Achten Sie darauf, dass Sie das Kabel so verlegen, dass niemand darauf treten oder darüber stolpern kann. Außerdem darf es nicht mit Wasser in Berührung kommen, Zugkräften ausgesetzt werden oder beschädigt werden.
- Die Wandhalterung für dieses Gerät ist die gleiche wie die des Mehrfachladegeräts NTN4796 (Teilnummer NLN7967).

BEDIENUNGSANLEITUNG

Das IMPRES-Ladegerätsystem ist ein vollautomatisches Akku-Energie-Management-System. Seine Benutzung ist einfach und erfordert nur die folgenden einfachen Schritte:

1. Setzen Sie das Funkgerät/den IMPRES-Akku in das Ladegerät ein.
2. Nehmen Sie das Funkgerät/den IMPRES-Akku aus dem Ladegerät, wenn es/er voll aufgeladen ist (LED leuchtet ununterbrochen GRÜN).

Die Ladeschalen des Ladegeräts nehmen jeweils entweder ein Funkgerät mit daran angebrachtem IMPRES-Akku oder einen IMPRES-Akku allein auf. **Schalten Sie das Funkgerät aus, bevor Sie es samt seinem IMPRES-Akku aufladen.** Akkus werden am besten bei Raumtemperatur geladen.

Laden eines Akkus

1. Stecken Sie den Ladegerätstecker des Netzkabels in die Buchse an der Rückseite des Ladegeräts.
2. Stecken Sie den Netzstecker des Stromkabels in die entsprechende Netzsteckdose. Ein erfolgreicher Einschaltvorgang wird durch **EINMALIGES GRÜNES AUFBLINKEN** der Ladeanzeige angezeigt.
3. Setzen Sie einen IMPRES-Akku bzw. ein Funkgerät samt IMPRES-Akku (**Funkgerät ist ausgeschaltet**) wie folgt in die Ladeschale des Ladegeräts ein:
 - a. Richten Sie die Rinne an jeder Seite des Akkus auf die entsprechende Schiene an jeder Seite der Ladeschale aus.
 - b. Drücken Sie den Akku zur Rückseite der Ladeschale.
 - c. Schieben Sie den Akku in die Ladeschale. Achten Sie dabei darauf, dass die Kontakte des Ladegeräts die Kontakte des Akkus berühren.
4. Zum Entnehmen eines Funkgeräts bzw. eines IMPRES-Akkus aus dem Ladegerät halten Sie das Ladegerät mit einer Hand fest. Mit der anderen Hand nehmen Sie das Funkgerät bzw. den Akku aus der Ladeschale.

Wenn der IMPRES-Akku richtig in die Ladeschale eingesetzt wird, leuchtet die Ladeanzeige und zeigt dadurch an, dass das Ladegerät den Akku erfasst hat; siehe Ladeanzeigen in Tabelle 1.

Tabelle 1: IMPRES-Akkuladeanzeigen

Ladeanzeige	Beschreibung
<i>Einmaliges grünes Aufblinken</i>	Ladegerät wurde erfolgreich eingeschaltet
<i>Rot</i>	Akku ist im Schnellladungsbetrieb.
<i>Grün blinkend</i>	Schnellladung des Akkus beendet (>90 % verfügbare Kapazität). Akku wird mit Erhaltungsstromstärke fertig geladen.
<i>Grün</i>	Ladevorgang des Akkus ist abgeschlossen. Der Akku ist vollständig geladen.
<i>Gelb blinkend</i>	Akku wird vom Ladegerät erfasst, wartet aber noch auf die Ladung (entweder ist die Akkuspannung zu niedrig oder der Akku ist zu kalt oder zu heiß zum Laden. Der Ladezyklus beginnt automatisch, wenn dieser Zustand korrigiert worden ist).
<i>Rot blinkend</i>	Akku kann nicht geladen werden oder Kontakt zwischen Akku und Ladekontakten ist nicht einwandfrei.
<i>Gelb</i>	(Nur für IMPRES-Akkus) Akku ist im Rekonditionierungs- oder Initialisierungsmodus. Wie lange das Ladegerät in dieser Betriebsart bleibt, hängt vom Ladezustand des Akkus beim Einsetzen in das Ladegerät ab (bei vollständig geladenen Akkus dauert die Rekonditionierung länger – 8 Stunden oder mehr – als bei vollständig entladenen Akkus).
<i>Rot/grün blinkend</i>	(Nur für IMPRES-Akkus) Ladevorgang des Akkus ist abgeschlossen. Der Akku ist vollständig aufgeladen. Akku ist noch verwendbar, nähert sich aber eventuell dem Ende seiner nutzbaren Lebensdauer.

Deutsch

INITIALISIERUNG

Damit die Leistungsmerkmale der Motorola IMPRES-Akkus und des adaptiven Ladesystems uneingeschränkt zur Verfügung stehen, müssen die in Motorola IMPRES-Akkus enthaltenen Daten bei der Erstladung des Akkus vom Ladegerät initialisiert werden. Dieser Initialisierungsprozess wird durch **GELBES** Leuchten der Ladeanzeige angezeigt (wie beim Rekonditionieren des Akkus). Der Prozess ist automatisch. Er schließt eine anfängliche Rekonditionierung des Akkus ein, an die sich das Laden des Akkus anschließt. Dieser Prozess benötigt eine gewisse Zeit zum Initialisieren des Akkus. Der Akku muss deshalb etwa 12 Stunden lang im Ladegerät bleiben, wenn er das erste Mal in das Ladegerät gesteckt wird. Der Akku sollte erst dann aus dem Ladegerät genommen werden, wenn die **GRÜNE** Leuchte ununterbrochen leuchtet.

AUTOMATISCHE REKONDITIONIERUNG

Beim Einsatz zusammen mit einem Motorola IMPRES-Akku kann das IMPRES-Ladegerät von Motorola bestimmen, wann eine Rekonditionierung des Akkus angebracht ist (zum Beseitigen von Speicherproblemen bei IMPRES-Akkus erforderlich).

Wenn ein IMPRES-Akku ordnungsgemäß in das Ladegerät gesteckt wird, bestimmt das Ladegerät, ob der Akku rekonditiert werden sollte. Ist eine Rekonditionierung erforderlich, leuchtet die Ladeanzeige **GELB**. Dieser Rekonditionierungsprozess kann bis zu 12 Stunden und länger dauern, je nach Ladezustand und Nennkapazität des Akkus beim Einsetzen in das Ladegerät.

Wichtig: Damit dieser Prozess effektiv sein kann, muss der Rekonditionierungs-/Nachladevorgang des IMPRES-Akkus vollständig ablaufen können. Lassen Sie den Akku deshalb im Ladegerät, bis die Ladeanzeige **GRÜN** leuchtet.

Nach Beendigung des Rekonditionierungszyklus lädt das Ladegerät den IMPRES-Akku automatisch nach.

Manuelles Beenden des Rekonditionierungsprozesses

Während des Rekonditionierungsprozesses eines Motorola IMPRES-Akkus (**GELBE** Anzeige) kann die Rekonditionierung jederzeit unterbrochen werden, indem der Akku aus dem Ladegerät genommen und innerhalb von 5 Sekunden wieder in das Ladegerät eingesetzt wird. Das bewirkt, dass das Ladegerät den Rekonditionierungsprozess beendet und den Ladeprozess beginnt. Die Ladeanzeige zeigt dann **ROT** an. Wenn der Akku das nächste Mal in das Ladegerät eingesetzt wird, versucht das Ladegerät erneut, ihn zu rekonditionieren.

Manuelles Einleiten des Rekonditionierungsprozesses

Zum manuellen Einleiten der Rekonditionierung gehen Sie innerhalb von 2 ½ Minuten nach dem ersten Einsetzen eines IMPRES-Akkus in das Ladegerät (**ROTE** Anzeige) wie folgt vor: Nehmen Sie den Akku aus dem Ladegerät und setzen Sie ihn innerhalb von 5 Sekunden wieder ein. Die Ladeanzeige wechselt von **ROT** auf **GELB**. Dies bewirkt, dass das Ladegerät den Akku rekonditioniert und automatisch auflädt. Dieses Merkmal des Ladegeräts ist besonders nützlich, wenn IMPRES-Akkus mehrere Monate oder noch länger eingelagert waren. Auf Grund von Langzeitlagerungsbedingungen werden zum Auffrischen der Akkus eventuell zwei oder mehr Rekonditionierungs-zyklen benötigt.

FEHLERSUCHE

Beobachten Sie bei der Fehlersuche immer die Ladeanzeige des Ladegeräts.

Tabelle 2: Fehlerbehebung

Problem	Fehlfunktion	Abhilfemaßnahme
Keine Ladeanzeige	1a. Kontakt mit dem Ladegerät nicht hergestellt. 1b. Stromversorgung zum Ladegerät besteht nicht.	1a. Prüfen Sie, ob der Akku bzw. das Handsprechfunkgerät samt Akku richtig in die Ladeschale gesteckt wurde. 1b. <ul style="list-style-type: none"> • Achten Sie darauf, dass das Netzkabel richtig an das Ladegerät und eine geeignete Netzsteckdose angeschlossen ist und dass die Netzsteckdose Strom führt. • Sicherung(en) austauschen.

Tabelle 2: Fehlerbehebung

Deutsch

Problem	Fehlfunktion	Abhilfemaßnahme
Anzeige blinkt rot	<p>2a. Kontakt mit dem Ladegerät nicht hergestellt.</p> <p>2b. Batterie ist nicht aufladbar.</p>	<p>2a.</p> <ul style="list-style-type: none"> • Nehmen Sie den Akku aus dem Ladegerät und setzen Sie ihn wieder ein. • Prüfen Sie nach, ob der Akku ein in Tabelle 4 genannter, von Motorola zugelassener Akku ist. Andere Akkus werden evtl. nicht geladen. • Trennen Sie das Ladegerät von der Stromversorgung und reinigen Sie die goldfarbenen Ladekontakte am Akku und am Ladegerät mit einem sauberen trockenen Tuch. <p>2b. Ersetzen Sie den Akku.</p>
Anzeige blinkt orange	<p>3. Akku wartet auf Ladung. Es kann sein, dass die Akkutemperatur unter 5°C oder über 40°C liegt oder die Akkuspannung niedriger ist als der vorbestimmte Schwellenwert für die Schnellladung.</p>	<p>3. Wenn dieser Zustand korrigiert worden ist, wird der Akku geladen.</p>

SERVICE

Das IMPRES-Mehrfachladegerät kann nur von einem von Motorola autorisierten, qualifizierten Servicetechniker repariert werden. Bei Nichtbeachten dieser Vorschrift wird die Garantie ungültig. Weitere Angaben über die Wartbarkeit des Mehrfachladegeräts und des Ladegerät-Displaymoduls sind der Wartungsanleitung für das Ladegerät, 6871357L01, zu entnehmen.

Für Wartung/Service in den USA wenden Sie sich an das folgende Center. Bestätigen Sie die Rücksendung des Geräts bitte telefonisch, bevor Sie es zur Wartung an das Center zurücksenden.

Motorola Service Center

2200 Galvin Drive
Elgin, IL 60123
1-800-422-4210 (US & Kanada)
1-847-538-8023 (International)

Für Wartung/Service (EMEA) wenden Sie sich an das folgende Center. Bestätigen Sie die Rücksendung des Geräts bitte telefonisch, bevor Sie es zur Wartung an das Center zurücksenden.

Motorola Service Center

Motorola GmbH
Customer Care
Am Borsigturm 130
13507 Berlin
Deutschland

Tel: +49 30 6686 1555

VON MOTOROLA ZUGELASSENE NETZKABEL

Dieses Ladegerät ist für Anwendungen mit 100 V bis 240 V Wechselstrom, 50/60 Hz, ausgelegt und mit den folgenden Motorola Netzkabeln zu verwenden:

Tabelle 3: Motorola Netzkabel

Steckertyp	Ladegerät-Kit	Ladegerät-Kit (Modell mit Display)	Netzkabel
Kein Kabel/Stecker	WPLN4211/B	WPLN4218/B	Kein Netzkabel
US	WPLN4212/B	WPLN4219/B	3087791G01
Europa	WPLN4213/B	WPLN4220/B	3087791G04
GB	WPLN4214/B	WPLN4221/B	3087791G07
Australien/Neuseeland	WPLN4215/B	WPLN4222/B	3087791G10
Argentinien	WPLN4216/B	WPLN4223/B	3087791G13
Korea	WPLN4217/B	WPLN4224/B	3087791G16
EMEA Hybrid-Stecker	WPLN4237/B	WPLN4238/B	3087791G01
US/NA 1-UP	Kein Netzkabel	WPLN4239/B	3087791G01
Japan	PMLN5256/B	Kein Netzkabel	Kein Netzkabel
Brazil	WPLN4277/B	WPLN4278/B	3087791G22

VON MOTOROLA ZUGELASSENE AKKUS

Die folgende Tabelle enthält die Akkus, die mit den spezifischen, in den Spaltenüberschriften angegebenen Teilnehmerfunkgeräten verwendet werden können.

Tabelle 4: Standard- und IMPRES-Akkus für Professionelle Digitalfunkgeräte

Kit (PN)	Akkutyp	FM	IMPRES
PMNN4065	NiMH	Nein	Nein
PMNN4066	Li-Ion	Nein	Ja
PMNN4069	Li-Ion	Ja	Ja
PMNN4077	Li-Ion	Nein	Ja
PMNN4101	Li-Ion	Nein	Ja
PMNN4102	Li-Ion	Ja	Ja
PMNN4103	Li-Ion	Nein	Ja
PMNN4104	NiMH	Nein	Nein
PMNN4406	Li-Ion	Nein	Nein
PMNN4407	Li-Ion	Nein	Ja
PMNN4409	Li-Ion	Nein	Ja
PMNN4412	NiMH	Nein	Nein
PMNN4415	NiMH	Nein	Nein
PMNN4416	Li-Ion	Nein	Nein
PMNN4417	Li-Ion	Nein	Ja
PMNN4418	Li-Ion	Nein	Ja
PMNN4424	Li-Ion	Nein	Ja
NNTN8128	Li-Ion	Nein	Ja
NNTN8129	Li-Ion	Ja	Ja
NNTN8305	Li-Ion	Nein	Ja

HINWEIS:

Der Akku NNTN8305 ist nur mit Mehrfachladegeräten ab Revision B kompatibel.

Tabelle 5. Standard- und IMPRES-Akkus für MOTOTRBO-Funkgeräte (XPR 7550 Ex, DP 4801 Ex, DP 4401 Ex, XiR P8668 Ex, XiR P8608 Ex, DGP 8550 Ex, DGP 8050 Ex)

Kit (PN)	Akkutyp	FM	IMPRES
NNTN8359	Li-Ion	Nein; ATEX	Ja

Hinweis: Wenn die Ladeanzeigeleuchten am Ladegerät permanent einen Defekt des Akkus anzeigen oder von den in Tabelle 1 aufgelisteten Anzeigen abweichen, darf der Akku nicht mehr in Gefahrenbereichen eingesetzt werden.

BESCHREIBUNG DER MERKMALE UND LEISTUNGEN DES IMPRES-LADEGERÄTS

Die Energie-Management-Lösung IMPRES von Motorola ist ein modernes Energiesystem für drei verschiedene Akkutypen. Zum System gehören: (a) IMPRES-Akku, (b) das IMPRES-Mehrfachladegerät und (c) Funkgerät-Hardware/Software, über die der Datenaustausch zwischen IMPRES-kompatiblen Sprechfunkgeräten und IMPRES-Akkus möglich ist.

Die Verwendung des IMPRES-Mehrfachladegeräts zusammen mit IMPRES-Akku bietet die folgenden Vorzüge:

1. Die Betriebszeit zwischen Ladezyklen wird maximiert, da der Memory-Effekt automatisch eliminiert wird.
2. Die Akku-Lebensdauer wird maximiert, da wesentlich weniger Wärme während der Erhaltungsladezyklen und der an das Laden anschließenden Zyklen entsteht.
3. Der Kauf von zusätzlichen Rekonditionierungsgeräten wird überflüssig, ebenso die Schulung von Personal in „Akkuwartungsaufgaben“.

Mit diesem einzigartigen patentierten Systemkonzept gehören das Kontrollieren und Protokollieren der IMPRES-Akkunutzung, das Durchführen manueller Rekonditionierungszyklen und die Notwendigkeit, Akkus nach dem Aufladen aus dem Ladegerät nehmen zu müssen, der Vergangenheit an.

Das IMPRES-Mehrfachladegerät überwacht das Nutzungsmuster des IMPRES-Akkus, speichert diese Informationen im IMPRES-Akku und führt nur dann einen Rekonditionierungszyklus durch, wenn es erforderlich ist.

Im IMPRES-Mehrfachladegerät wird der IMPRES-Akku nie zu heiß, ganz gleich, wie lange er in der Ladeschale steckt. Das Ladegerät überwacht den Akku und hält ihn durch Erhaltungsladung im voll geladenen Zustand.

LADEGERÄT MIT DISPLAYMODUL (CDM)

Die Funktionalität des IMPRES Mehrfachladegeräts kann durch Hinzufügen eines Ladegerät-Displaymoduls (CDM) noch weiter verbessert werden. Bestellen und installieren Sie Motorola Teil-Nr. RLN5382.

Allgemeine Informationen zum Display

Das IMPRES Mehrfachladegerät mit CDM bietet dem Benutzer während der Wartung und Pflege des Akkus nützliche Informationen. Die vom Ladegerät angegebenen Informationen und die zugehörigen LED-Anzeigen werden in den folgenden Tabellen detailliert angeführt.

Inbetriebnahme

Bei Inbetriebnahme des Ladegeräts

LED	LEUCHTET EINMAL GRÜN AUF
Zeile 1	IMPRES
Zeile 2	

Wenn kein Akku in der Schale steckt

LED	OFF (AUS)
Zeile 1	NO BATTERY (KEIN AKKU)
Zeile 2	

Akkudaten werden gelesen

LED	Beliebige vordefinierte Anzeige
Zeile 1	READING (AKKUDATEN)
Zeile 2	BATTERY DATA (WERDEN GELESEN)

Kein IMPRES Akku in der Ladeschale

LED	Je nach Ladezustand
Zeile 1	NON-IMPRES (KEIN IMPRES)
Zeile 2	BATTERY (AKKU)

IMPRES Akku in der Ladeschale

IMPRES und Softwareversionen werden angezeigt

LED	Je nach Ladezustand
Zeile 1	IMPRES
Zeile 2	SW xx.yy; aa.bb

HINWEIS:

xx.yy bezeichnet Ladegerät-SW-Version, während aa.bb die CDM-SW-Version angibt.

Kit-Nr. und Seriennummer des IMPRES-Akkus werden angezeigt (jeder IMPRES-Akku weist eine eindeutige Seriennummer (SN) zur einfachen Erkennung auf).

LED	Je nach Ladezustand
Zeile 1	KIT# ----- (KIT-NR)
Zeile 2	----CHEMISTRY (CHEM. EIGENSCH.)

IMPRES Akku-Kit-Nr. und chem. Eigenschaften werden angezeigt

LED	Je nach Ladezustand
Zeile 1	KIT# ----- (KIT-NR)
Zeile 2	----CHEMISTRY (CHEM. EIGENSCH.)

Voraussichtliche Zahl der Zyklen bis zur automatischen Rekonditionierung

LED	Je nach Ladezustand
Zeile 1	----CYCLES (ZYKLEN)
Zeile 2	TO RECONDITION (BIS REKONDITIONIERUNG)

** Wird nur angezeigt, wenn die Anzahl der Zyklen bis zum nächsten Rekonditionierungszyklus schätzungsweise weniger als 6 beträgt.*

Ladegerät wartet auf Ladebeginn, Akku ist heiss

LED	ORANGE blinkend
Zeile 1	WAITING TO CHG (WARTEN AUF LADEN)
Zeile 2	HOT BATTERY (AKKU HEISS)

Ladegerät wartet auf Ladebeginn, Akku ist kalt

LED	ORANGE blinkend
Zeile 1	WAITING TO CHG (WARTEN AUF LADEN)
Zeile 2	COLD BATTERY (AKKU KALT)

Ladegerät wartet auf Ladebeginn, Spannung niedrig

LED	ORANGE blinkend
Zeile 1	WAITING TO CHG (WARTEN AUF LADEN)
Zeile 2	LOW VOLTAGE (SPANNUNG NIEDRIG)

HINWEIS:

Es werden nicht alle der oben angeführten Hinweise angezeigt. Die Anzeigen 'Warten auf Laden' (Akku heiss, kalt; Spannung niedrig) werden nur angezeigt, wenn der entsprechende Zustand gegeben ist.

Ladegerät ist im Schnellladungsbetrieb

LED	ROT
Zeile 1	RAPID CHARGE (SCHNELLADUNG)
Zeile 2	

Ladegerät arbeitet im Erhaltungsladungsbetrieb

LED	GRÜN blinkend
Zeile 1	TRICKLE CHARGE (ERHALTUNGSLADUNG)
Zeile 2	

Laden abgeschlossen

LED	Ununterbrochen GRÜN oder ROT / GRÜN blinkend
Zeile 1	CHARGE COMPLETE (LADEN ABGESCHLOSSEN)
Zeile 2	

Ladegerät arbeitet im Entlade- / Rekonditionierungsbetrieb

LED	Ununterbrochen ORANGE
Zeile 1	DISCHARGE (ENTLADEN)
Zeile 2	

Ladegerät kalibriert einen IMPRES Akku

LED	Ununterbrochen ORANGE, ununterbrochen ROT und ORANGE oder GRÜN blinkend
Zeile 1	Calibrating (wird kalibriert)
Zeile 2	Battery (Akku)

LED	Ununterbrochen GRÜN
Zeile 1	Battery (Akku)
Zeile 2	Calibrated (kalibriert)

* Alle IMPRES Akkus sind vor der Erstverwendung zu kalibrieren. Das IMPRES Ladegerät kalibriert jeden neuen Akku automatisch.

Akkuleistungsdaten werden als „%“ in mAH und als Spannung nur für IMPRES-Akku angezeigt.

LED	Je nach Ladezustand
Zeile 1	---% RATED CAP. (Nennleistung)
Zeile 2	---mAH --.-V

Geschätzte Leistung nach Ladung nur für IMPRES-Akku

LED	Je nach Ladezustand
Zeile 1	EST CAP AFTER (Geschätzte Leistung nach)
Zeile 2	CHARGE xx% (Ladung xx%)

HINWEIS:

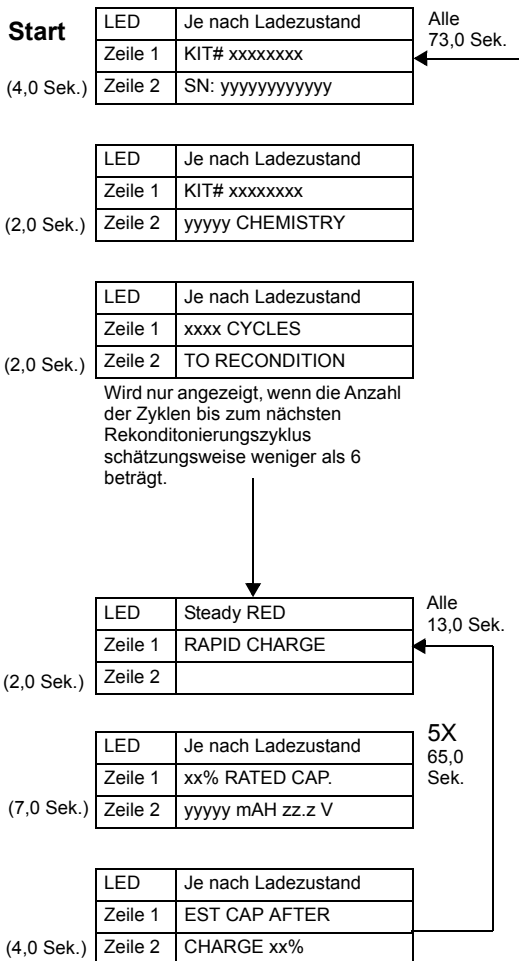
Wenn voll aufgeladene IMPRES-Akkus sofort in eine andere Ladeschale im Ladegerät eingesetzt werden, wird auf Grund von Standverlustschätzungen eventuell eine etwas niedrigere Anfangsleistung angezeigt. Das Ladegerät korrigiert diese Abweichung, wenn der Akku in der neuen Ladeschale seine volle Ladung erreicht, gewöhnlich innerhalb einiger Minuten.

HINWEIS:

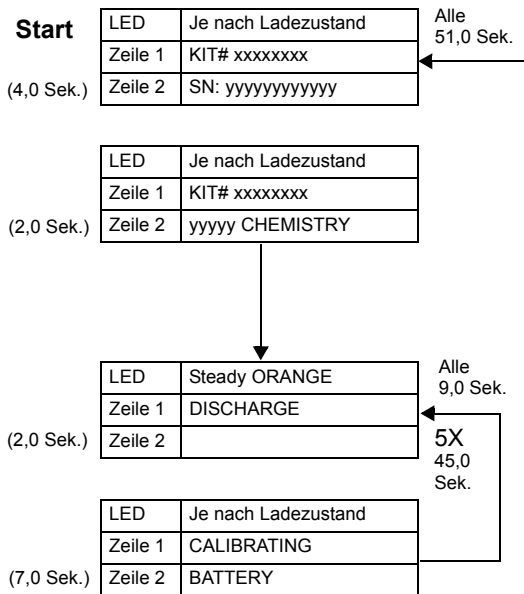
- (1) Die geschätzte Zeit bis zur vollständigen Schnellladung kann eventuell die zum Beenden eines Entladungszyklus sowie die zum Durchführen eines Schnellladungszyklus erforderliche Zeit beinhalten.
- (2) Bei nicht kalibrierten Akkus werden die Akkukapazitätsdaten eventuell nicht angezeigt.
- (3) Das Laden von IMPRES Akkus in anderen als IMPRES Ladegeräten kann die Genauigkeit der Angaben bezüglich Kapazität und Ladezeiten beeinflussen.
- (4) Der Einsatz von unkalibrierten IMPRES-Akkus kann die Genauigkeit der Angaben bezüglich Ladezeiten beeinträchtigen.

Sequenzdiagramme für IMPRES Akku

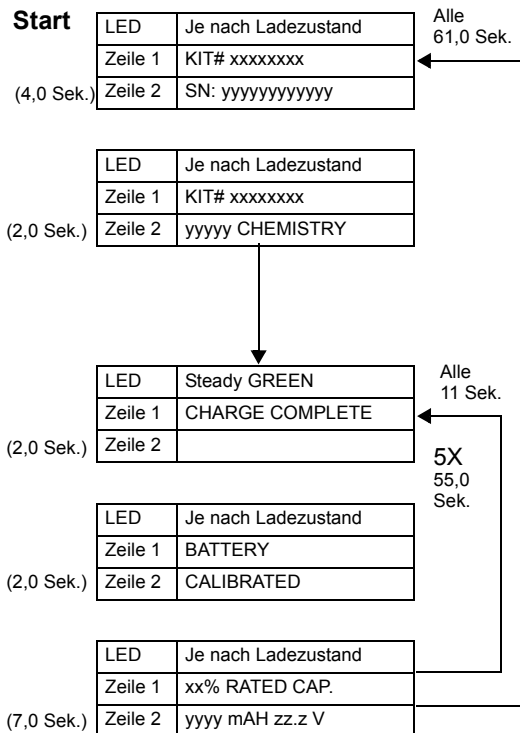
Anzeigesequenz bei IMPRES Lilon-Akku



Vor der Kalibrierung:



Nach der Kalibrierung:



Ausrichtung des Anzeigetextes

Der Text auf dem CDM kann um 180 Grad gedreht werden, sodass das IMPRES Mehrfachladegerät nach Wunsch auf einem Tisch oder an einer Wand montiert werden kann.

Zum Drehen der Anzeige eine große Büroklammer in das Loch unterhalb des Displays senkrecht zum Tisch stecken. Ein Klickgeräusch zeigt an, dass die Umschaltung aktiviert und der Anzeigetext um 180 Grad gedreht wurde.

TABLE DES MATIÈRES

Instructions de sécurité pour l'utilisation	4
Instructions d'utilisation	5
Procédure de chargement	5
Initialisation	7
Reconditionnement automatique	7
Pour terminer manuellement un reconditionnement.....	7
Pour lancer manuellement un reconditionnement	8
Dépannage	8
Entretien	9
Cordons d'alimentation agréés Motorola	10
Batteries agréées Motorola	11
Description des caractéristiques / avantages IMPRES	12
Module d'affichage pour chargeur (CDM)	12
Informations générales affichées.....	12
Diagrams de Séquences pour les Batteries IMPRES	18
Orientation du texte affiché.....	21

INSTRUCTIONS DE SECURITE IMPORTANTES CONSERVEZ CES INSTRUCTIONS

Ce document contient d'importantes instructions de sécurité et d'utilisation. Veuillez lire attentivement ces instructions et conservez-les pour pouvoir les consulter à nouveau à titre de référence.

Avant d'utiliser le chargeur, lisez toutes les instructions, les avertissements et les informations sur (1) le chargeur, (2) la batterie et (3) le poste.



AVERTISSEMENT

1. Pour réduire les risques de blessure, ne chargez que des batteries rechargeables agréées Motorola et répertoriées dans le Tableau 4. D'autres batteries peuvent exploser, provoquer des blessures ou des dégâts matériels.
2. L'utilisation d'accessoires non agréés par Motorola peut présenter un risque d'incendie, d'électrocution ou de blessure.
3. Pour ne jamais risquer d'endommager la prise et le câble électriques, tirez toujours sur la prise et jamais sur le câble pour débrancher le chargeur.
4. Sauf dans les cas où cela est absolument indispensable, il est préférable de ne jamais utiliser de rallonge électrique pour brancher le chargeur. Un câble d'extension électrique défectueux peut introduire un risque d'incendie ou d'électrocution. Si une rallonge est indispensable, vous devez utiliser un câble 18 AWG pour toutes les longueurs inférieures à 30 m et un câble 16 AWG toutes les longueurs inférieures à 45 m.
5. Pour réduire le risque d'incendie, d'électrocution ou de blessure, n'utilisez jamais un chargeur endommagé ou présentant un quelconque défaut. Confiez-le à un agent de maintenance Motorola agréé.
6. Un chargeur multiple adaptatif IMPRES peut uniquement être réparé par un technicien spécialisé agréé par Motorola. Toute violation de cet avertissement peut annuler la garantie.
7. Pour réduire le risque d'électrocution, débranchez l'alimentation électrique c.a. du chargeur avant d'effectuer toute opération d'entretien ou de nettoyage.

AVERTISSEMENTS (suite)



AVERTISSEMENT

8. Pour remplacer le fusible, utilisez uniquement un fusible ayant les caractéristiques indiquées sur l'étiquette du chargeur. Utilisez uniquement des fusibles Cooper-Bussman GDC-3.15 ou un équivalent agréé. Les composants suivants peuvent être commandés auprès de la division Motorola Radio Products & Services (1-800-422-4210 [US & Canada] ou 1-847-538-8023 [International]) :

Fusible	6571489S01
Cache	0987739G01

9. Ce produit appartient à la Classe A. Dans un contexte domestique, ce produit est susceptible de causer des interférences radio, auquel cas l'utilisateur devra prendre des mesures appropriées.

INSTRUCTIONS DE SÉCURITÉ POUR L'UTILISATION

- Eteignez le poste lorsque vous voulez charger sa batterie.
- Cet équipement n'est pas conçu pour être utilisé à l'extérieur. Utilisez-le uniquement dans des endroits secs et des conditions sans humidité.
- Connectez uniquement l'équipement avec un câble d'alimentation protégé par un fusible à une source dont la tension a été vérifiée et égale à celle indiquée sur le produit.
- Pour débrancher l'appareil de la source d'alimentation, retirez la prise secteur.
- La prise d'alimentation à laquelle l'équipement est connecté doit être proche et facilement accessible.
- Si l'appareil est doté d'un fusible, le fusible de remplacement doit être identique en type et en valeur nominale aux spécifications indiquées dans les instructions fournies avec cet appareil.
- La température ambiante maximale autour de l'équipement ne doit pas dépasser 40 °C (104 °F).
- Vérifiez que le câble est placé de façon à ce que personne ne puisse marcher dessus ou s'y prendre les pieds, pour qu'il ne reçoive aucune projection d'eau, ni risque d'être endommagé ou étiré.
- Cette unité utilise le même système de fixation murale que le chargeur multiple NTN4796. Le numéro de référence de ce système est NLN7967.

INSTRUCTIONS D'UTILISATION

Un chargeur adaptatif IMPRES est un système de maintenance pour batteries entièrement automatisé. L'utilisateur doit seulement suivre les simples instructions suivantes :

1. Placer le poste / la batterie IMPRES dans le chargeur.
2. Sortir le poste / la batterie IMPRES après la fin du chargement signalé par le témoin vert fixe.

Chaque compartiment du chargeur peut recevoir un poste contenant une batterie IMPRES ou une batterie IMPRES seule. Pour charger une batterie installée dans un poste, ce poste doit être éteint. Les batteries se chargent mieux à la température ambiante intérieure.

Procédure de chargement

1. Branchez la prise du cordon d'alimentation au connecteur situé au dos du chargeur.
2. Branchez l'autre extrémité du cordon d'alimentation à la prise secteur CA. La mise sous tension correcte du système est signalée par un **SEUL ÉCLAT VERT** du témoin lumineux du chargeur.
3. Insérez une batterie IMPRES ou un poste contenant une batterie IMPRES (**le poste étant éteint**), dans le chargeur :
 - a. Alignez la rainure de chaque côté de la batterie avec le rail correspondant de chaque côté du compartiment du chargeur.
 - b. Poussez la batterie vers le fond du compartiment.
 - c. En faisant glisser la batterie dans son compartiment, vérifiez la bonne connexion des contacts du chargeur et de la batterie.
4. Pour sortir le poste ou la batterie IMPRES du compartiment du chargeur, vous devez utiliser les deux mains – une main pour retenir et soutenir le chargeur, l'autre main pour retirer le poste ou la batterie.

Lorsque la batterie IMPRES est correctement positionnée dans le compartiment, le témoin du chargeur s'allume pour signaler qu'il a détecté la présence de la batterie. Voir les indicateurs de charge dans le Tableau 1.

Tableau 1. Indicateurs de charge

Indicateur de charge	Description
<i>Un éclat vert</i>	La mise sous tension du chargeur s'est correctement effectuée.
<i>Rouge fixe</i>	La batterie est en charge rapide.
<i>Vert clignotant</i>	La charge rapide est terminée (>90 % de la capacité totale). La batterie est en charge d'appoint.
<i>Vert fixe</i>	Le processus de charge est terminé. La batterie est totalement chargée.
<i>Orange clignotant</i>	Le chargeur a détecté la présence de la batterie, mais la procédure de charge est mise en attente (soit la tension de la batterie est trop basse, soit sa température est trop haute ou trop basse). Dès que cet état sera corrigé, la procédure de charge débutera automatiquement.
<i>Rouge clignotant</i>	La batterie ne peut pas être chargée ou n'est pas en contact avec les bornes du chargeur.
<i>Orange fixe</i>	Caractéristique spécifique des batteries IMPRES uniquement. La batterie est en mode de reconditionnement ou d'initialisation. La durée de ce mode dépend de l'état de charge de la batterie. (Une batterie pleine nécessite un reconditionnement plus long qu'une batterie vide – 8 à 12 heures ou plus.)
<i>Vert / rouge clignotant</i>	Caractéristique spécifique aux batteries IMPRES uniquement. La procédure de charge est terminée et la batterie est pleine. La batterie est utilisable, mais approche de sa fin de vie.

INITIALISATION

Pour que les caractéristiques des batteries IMPRES Motorola et du système de chargement adaptatif soient totalement opérationnelles, les données des batteries IMPRES doivent être initialisées par le chargeur lors de leur première charge. Cette procédure automatique est signalée par un témoin *ORANGE FIXE* sur le chargeur (comme pendant le reconditionnement d'une batterie). Elle inclut un reconditionnement initial de la batterie, dont l'exécution commence dès que ce processus a été achevé. L'initialisation est une opération longue. La batterie doit rester dans le chargeur pendant environ 12 heures. Ne retirez pas la batterie du chargeur avant de voir le témoin *VERT FIXE* allumé.

RECONDITIONNEMENT AUTOMATIQUE

Le chargeur adaptatif IMPRES Motorola (lorsqu'il est utilisé avec une batterie IMPRES Motorola) peut déterminer si la batterie nécessite ou non un reconditionnement (cette opération sert à éliminer les effets mémoires des batteries IMPRES).

Lorsqu'une batterie IMPRES est correctement positionnée dans le compartiment, le chargeur détermine si un reconditionnement est nécessaire. Si tel est le cas, le reconditionnement débute et le témoin *ORANGE FIXE* du chargeur s'allume. Il peut nécessiter jusqu'à 12 heures, selon l'état de charge et la capacité de la batterie.

Remarque importante: Le reconditionnement ne peut être efficace que s'il n'est pas interrompu et s'il se termine correctement. Vous devez donc laisser la batterie dans le chargeur jusqu'à ce que le témoin du chargeur soit *VERT FIXE*.

Après le reconditionnement, le chargeur recharge la batterie IMPRES.

Pour terminer manuellement un reconditionnement

La procédure de reconditionnement peut être annulée à tout instant (témoin *ORANGE FIXE*). Pour cela, retirez la batterie de son compartiment et réintroduisez-la immédiatement ou en moins de 5 secondes. Le chargeur annule alors le reconditionnement et lance le chargement de la batterie. Le témoin du chargeur passe au *ROUGE FIXE*. Le reconditionnement de cette batterie sera effectué lors sa prochaine insertion dans le chargeur.

Pour lancer manuellement un reconditionnement

Après un délai de deux minutes et demie après l'insertion initiale d'une batterie IMPRES (témoin *ROUGE FIXE*), retirez et réinsérez la batterie dans un intervalle inférieur à 5 secondes pour déclencher la procédure de reconditionnement. Le témoin du chargeur passe de *ROUGE FIXE* à *ORANGE FIXE*. Cette manipulation simple force le chargeur à reconditionner puis à charger automatiquement la batterie. Cette fonction est très utile lorsque des batteries IMPRES ont été stockées pendant plusieurs mois ou plus. Selon la durée du stockage, deux ou trois cycles de reconditionnement manuels peuvent être nécessaires pour redonner aux batteries toute leur capacité.

DÉPANNAGE

Pour le dépannage, observez attentivement la couleur du témoin lumineux.

Tableau 2. Dépannage

Problème	Signification	Action
Le témoin lumineux est éteint.	1a. Absence de contact. 1b. Aucune alimentation électrique.	1a. Vérifiez que le poste contenant la batterie, ou la batterie seule, est correctement inséré dans le chargeur. 1b. <ul style="list-style-type: none">• Vérifiez que le câble d'alimentation est correctement branché au chargeur et au secteur, et qu'il n'y a pas de coupure de courant.• Remplacez le(s) fusible(s).
Rouge clignotant	2a. Absence de contact. 2b. La batterie ne peut pas être chargée.	2a. <ul style="list-style-type: none">• Retirez la batterie et réinsérez-la dans le chargeur.• Vérifiez que la batterie est agréée par Motorola (Tableau 4). La charge d'autres batteries peut être impossible.• Débranchez le chargeur de son alimentation électrique. A l'aide d'un chiffon sec et propre, nettoyez les broches de contact de la batterie et du chargeur. 2b. Réinsérez la batterie dans le chargeur.

Tableau 2. Dépannage

Problème	Signification	Action
Le témoin Orange clignote	3. En attente du début du cycle de charge. La température de la batterie peut être inférieure à 5 °C (41 °F) ou supérieure à 40 °C (104 °F) ou la tension de la batterie peut être inférieure à celle du seuil minimal nécessaire à la charge rapide.	3. Dès que cette condition est rectifiée, la charge de la batterie débutera.

ENTRETIEN

Un chargeur multiple adaptatif IMPRES peut uniquement être réparé par un technicien spécialisé agréé par Motorola. Toute violation de cet avertissement peut annuler la garantie. Pour obtenir d'autres informations sur l'entretien et la réparation d'un chargeur multiple et d'un module d'affichage pour chargeur, consultez le manuel d'entretien pour chargeur 6871357L01.

Pour la maintenance aux États-Unis, contactez le centre indiqué ci-dessous. Veuillez appeler pour confirmer votre référence de renvoi de produit avant d'expédier votre produit.

Motorola Service Center
2200 Galvin Drive
Elgin, IL 60123
1-800-422-4210 (US & Canada)
1-847-538-8023 (International)

Pour la maintenance dans la région EMEA, contactez le centre indiqué ci-dessous. Veuillez appeler pour confirmer votre référence de renvoi de produit avant d'expédier votre produit.

Motorola Service Center
Motorola GmbH
Customer Care
Am Borsigturm 130
13507 Berlin
Allemagne.

Tél: +49 30 6686 1555

CORDONS D'ALIMENTATION AGRÉÉS MOTOROLA

Ce chargeur est conçu pour fonctionner avec une alimentation de 100 V CA à 240 V CA, 50 / 60 Hz. Il utilise les cordons d'alimentation Motorola suivants :

Tableau 3: Cordons d'alimentation Motorola

Type de prise	Kit de chargeur	Kit de chargeur (modèle avec afficheur)	Câble d'alimentation
Aucun câble ou prise	WPLN4211/B	WPLN4218/B	Aucun
U.S.	WPLN4212/B	WPLN4219/B	3087791G01
Euro	WPLN4213/B	WPLN4220/B	3087791G04
R.U.	WPLN4214/B	WPLN4221/B	3087791G07
Australie / NZ	WPLN4215/B	WPLN4222/B	3087791G10
Argentine	WPLN4216/B	WPLN4223/B	3087791G13
Corée	WPLN4217/B	WPLN4224/B	3087791G16
Hybride EMEA	WPLN4237/B	WPLN4238/B	3087791G01
US / NA 1-UP	Aucun	WPLN4239/B	3087791G01
Japon	PMLN5256/B	Aucun	Aucun
Brazil	WPLN4277/B	WPLN4278/B	3087791G22

BATTERIES AGRÉÉES MOTOROLA

Les tableaux suivants répètent les batteries qui peuvent être utilisées dans les modèles de radios spécifiquement identifiés.

Tableau 4: Batteries Standard & IMPRES pour radios numériques professionnelles

Kit (PN)	Chimie	FM	IMPRES
PMNN4065	NiMH	Non	Non
PMNN4066	Li-Ion	Non	Oui
PMNN4069	Li-Ion	Oui	Oui
PMNN4077	Li-Ion	Non	Oui
PMNN4101	Li-Ion	Non	Oui
PMNN4102	Li-Ion	Oui	Oui
PMNN4103	Li-Ion	Non	Oui
PMNN4104	NiMH	Non	Non
PMNN4406	Li-Ion	Non	Non
PMNN4407	Li-Ion	Non	Oui
PMNN4409	Li-Ion	Non	Oui
PMNN4412	NiMH	Non	Non
PMNN4415	NiMH	Non	Non
PMNN4416	Li-Ion	Non	Non
PMNN4417	Li-Ion	Non	Oui
PMNN4418	Li-Ion	Non	Oui
PMNN4424	Li-Ion	Non	Oui
NNTN8128	Li-Ion	Non	Oui
NNTN8129	Li-Ion	Oui	Oui
NNTN8305	Li-Ion	Non	Oui

REMARQUE :

la batterie NNTN8305 est uniquement compatible avec le chargeur pour unités multiples (MUC) Révision B ou ultérieure.

Tableau 5. Batteries standard et IMPRES pour radios MOTOTRBO (XPR 7550 Ex, DP 4801 Ex, DP 4401 Ex, XiR P8668 Ex, XiR P8608 Ex, DGP 8550 Ex, DGP 8050 Ex)

Kit (PN)	Chimie	FM	IMPRES
NNTN8359	Li-Ion	Non; ATEX	Oui

Remarque : si le voyant de chargement du chargeur indique de manière constante que la batterie est défectueuse ou ne correspond à aucune indication répertoriée dans le Table 1, la batterie ne peut plus être utilisée dans une zone dangereuse.

DESCRIPTION DES CARACTÉRISTIQUES / AVANTAGES IMPRES

La solution d'alimentation électrique IMPRES utilise une triple technologie chimique avancée, développée par Motorola. Elle se compose (a) des batteries IMPRES, (b) du chargeur multiple adaptatif IMPRES, (c) des composants matériels et logiciels du poste de radio. Elle offre une fonctionnalité de communication entre les radios IMPRES compatibles et les batteries IMPRES.

Utilisé avec des batteries Motorola IMPRES, le Chargeur Conditionneur Multiple IMPRES :

1. Maximise la durée de fonctionnement entre les chargements en éliminant automatiquement tout effet mémoire.
2. Maximise la durée de vie de la batterie en réduisant considérablement la chaleur pendant les cycles de charge d'entretien et d'appoint.
3. Élimine toute nécessité d'acheter un appareil de reconditionnement des batteries et élimine le besoin de former les personnels aux tâches de maintenance des batteries.

Grâce à ce système breveté unique, vous n'avez pas besoin de suivre et de noter l'utilisation de chaque batterie IMPRES, ni de lancer manuellement des cycles de reconditionnement, ou de retirer du chargeur les batteries pleines.

Le chargeur multiple adaptatif IMPRES analyse l'utilisation des batteries IMPRES, enregistre ces informations dans chaque batterie IMPRES, et exécute un cycle de reconditionnement uniquement lorsqu'il est nécessaire.

Le chargeur multiple adaptatif IMPRES ne peut pas surchauffer une batterie IMPRES, quelle que soit la durée de son séjour dans le chargeur. Le chargeur surveille l'état de la batterie et applique automatiquement une charge d'appoint, si nécessaire.

MODULE D’AFFICHAGE POUR CHARGEUR (CDM)

Le chargeur multiple adaptif IMPRES peut être amélioré par l’adjonction d’un module d’affichage (CDM – Charger Display Module). Commandez et installez la pièce Motorola No. RLN5382.

Informations générales affichées

Le chargeur multiple reconditionneur IMPRES avec l’afficheur CDM donne à l’utilisateur des informations importantes pendant les opérations de maintenance de ses batteries. Ces informations et les indications du témoin lumineux sont décrites dans les tableaux suivants.

Démarrage

À la mise sous tension du chargeur

Témoin	UN ÉCLAT VERT
Ligne 1	IMPRES
Ligne 2	

S’il n’y a pas de batterie dans la case

Témoin	OFF (DÉSACTIVÉ)
Ligne 1	NO BATTERY (SANS BATTERIE)
Ligne 2	

Lecture des données de la batterie

Témoin	toute indication
Ligne 1	READING (LECTURE EN COURS)
Ligne 2	BATTERY DATA (DONNÉES DE LA BATTERIE)

La batterie dans la case du chargeur n'est pas du type IMPRES

Témoin	Défini par l'état de charge
Ligne 1	NON-IMPRES
Ligne 2	BATTERY (BATTERIE)

La batterie dans la case du chargeur est du type IMPRES

IMPRES and Software Versions are Displayed

Témoin	Défini par l'état de charge
Ligne 1	IMPRES
Ligne 2	SW xx.yy; aa.bb

REMARQUE :

xx.yy indique la version du logiciel et aa.bb indique la version de l'afficheur CDM.

Le numéro du kit de la batterie IMPRES # et son numéro de série # sont affichés. (chaque batterie IMPRES a un numéro de série unique # pour faciliter son identification)

Témoin	Défini par l'état de charge
Ligne 1	KIT# ----- (No. du Kit # -----)
Ligne 2	SN: ----- (No. de série : -----)

Le numéro de référence du kit batterie IMPRES et sa catégorie chimique sont affichés

Témoin	Défini par l'état de charge
Ligne 1	KIT# ----- (KIT No. -----)
Ligne 2	----CHEMISTRY (----CHIMIE)

Nombre de cycles prévus avant le reconditionnement automatique

Témoin	Défini par l'état de charge
Ligne 1	----CYCLES (----CYCLES)
Ligne 2	TO RECONDITION (RECONDITIONNER)

* Uniquement affiché lorsque le nombre de cycles antérieurs au prochain reconditionnement est inférieur à six.

Le chargeur est en attente. La batterie est chaude

Témoin	ORANGE clignotant
Ligne 1	WAITING TO CHG (ATTENTE CHARGE)
Ligne 2	HOT BATTERY (BATTERIE CHAUDE)

Le chargeur est en attente. La batterie est froide

Témoin	ORANGE clignotant
Ligne 1	WAITING TO CHG (ATTENTE CHARGE)
Ligne 2	COLD BATTERY (BATTERIE FROIDE)

Le chargeur est en attente. Tension faible

Témoin	ORANGE clignotant
Ligne 1	WAITING TO CHG (ATTENTE CHARGE)
Ligne 2	LOW VOLTAGE (TENSION FAIBLE)

REMARQUE :

Tous les écrans indiqués ci-dessus ne sont pas affichés. Par exemple, Attente de charge (batterie chaude, froide, tension faible) n'apparaît que lorsque la situation l'exige.

La batterie est en charge rapide.

Témoin	ROUGE fixe
Ligne 1	RAPID CHARGE (CHARGE RAPIDE)
Ligne 2	

Le chargeur est en mode Charge d'appoint

Témoin	VERT clignotant
Ligne 1	TRICKLE CHARGE (CHARGE D'APPOINT)
Ligne 2	

Charge terminée

Témoin	VERT fixe ou ROUGE / VERT clignotant
Ligne 1	CHARGE COMPLETE (CHARGE TERMINÉE)
Ligne 2	

Le chargeur est en mode Décharge / reconditionnement

Témoin	ORANGE fixe
Ligne 1	DISCHARGE
Ligne 2	

Le chargeur calibre une batterie IMPRES

Témoin	ORANGE fixe, ROUGE fixe, & ORANGE ou VERT clignotant
Ligne 1	Calibrating (Calibrage)
Ligne 2	Battery (Batterie)

Témoin	VERT fixe
Ligne 1	Battery (Batterie)
Ligne 2	Calibrated (Calibrée)

** Toutes les batteries IMPRES doivent être calibrées avant d'être utilisées. Un chargeur IMPRES lance automatiquement la calibration chaque fois qu'une batterie neuve est insérée.*

Les données de la capacité de la batterie sont affichées sous la forme : “%” en mAH, et en Volts – uniquement avec une batterie IMPRES

Témoin	Défini par l'état de charge
Ligne 1	----% RATED CAP. (----% CAP. NORM.)
Ligne 2	----mAH --.-V

Capacité estimée après recharge – uniquement avec une batterie IMPRES

Témoin	Défini par l'état de charge
Ligne 1	EST CAP AFTER (CAP. EST. APRÈS)
Ligne 2	CHARGE xx%

REMARQUE :

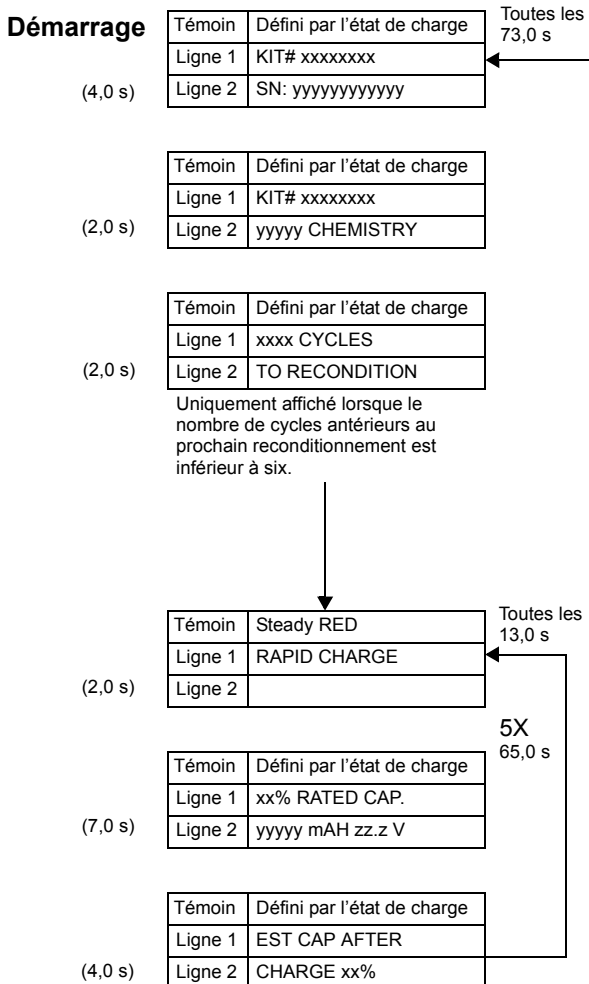
Lorsque vous insérez une batterie IMPRES dans un autre compartiment immédiatement après la fin d'une recharge complète, la capacité indiquée peut être légèrement inférieure à la charge pleine. Cela est dû aux estimations des pertes hors utilisation. Le chargeur corrigera cette déviation lorsque la batterie retrouvera sa charge maximale dans ce compartiment, après quelques minutes.

REMARQUE :

- (1) La durée estimée d'une charge rapide peut inclure un cycle de décharge plus le cycle de charge rapide complet.
- (2) Les informations relatives à la capacité de la batterie peuvent ne pas être affichées lorsque la batterie n'a pas été calibrée.
- (3) L'utilisation de batteries IMPRES avec des chargeurs non-IMPRES peut affecter la capacité et la précision de la durée de chargement.
- (4) L'utilisation de batteries IMPRES non calibrées peut affecter la précision de la durée de charge.

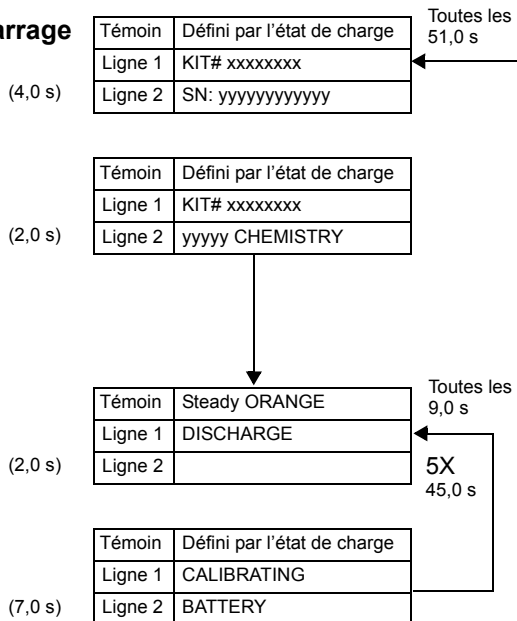
Diagrams de Séquences pour les Batteries IMPRES

Séquence d'affichage pour les batteries IMPRES Li-Ion

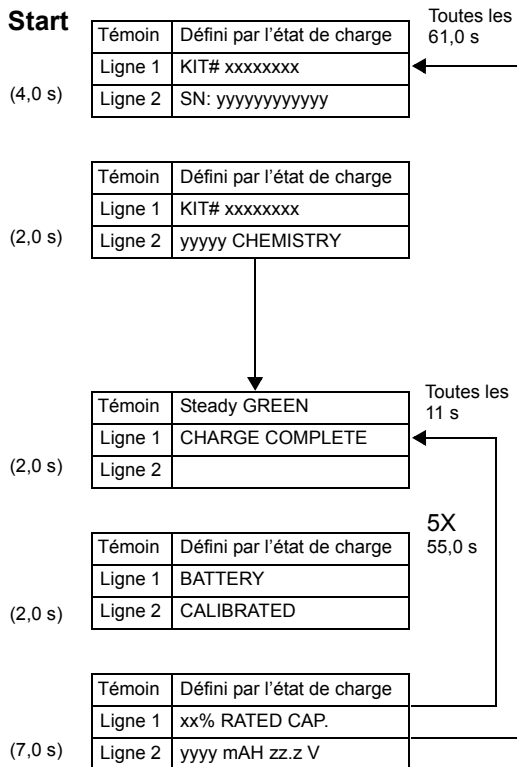


Avant calibration :

Démarrage



Après Calibration:



Orientation du texte affiché

Pour une installation de bureau ou murale du chargeur multiple adaptatif IMPRES, l'afficheur CDM est équipé d'une fonction d'inversion du texte à 180 degrés.

Pour l'activer, insérez l'extrémité d'un trombone à papier dans le petit orifice sous l'affichage et perpendiculairement à la surface du bureau. Un son "clic" confirme le changement (activé / désactivé) et que l'affichage a été inversé à 180 degrés.

ÍNDICE

Directrices de seguridad	3
Instrucciones de funcionamiento	4
Procedimiento de carga.....	4
Configuración inicial	6
Reacondicionamiento automático	6
Finalización manual del proceso de reacondicionamiento	7
Inicio manual del proceso de reacondicionamiento.....	7
Solución de problemas	8
Mantenimiento	9
Cables de alimentación autorizados por Motorola	10
Baterías autorizadas por Motorola	11
Descripción de características y ventajas de IMPRES.....	12
Módulo de pantalla para cargadores (CDM)	13
Información general de la pantalla	13
Diagramas de secuenciación para las baterías IMPRES.....	17
Orientación del texto en la pantalla	20

INSTRUCCIONES DE SEGURIDAD IMPORTANTES GUARDE ESTAS INSTRUCCIONES

Este documento contiene instrucciones de seguridad y funcionamiento importantes. Lea estas instrucciones detenidamente y guárdelas para futura referencia.

Antes de utilizar el cargador de baterías, lea la totalidad de las instrucciones y las señales de precaución que aparecen en (1) el cargador, (2) la batería y (3) la radio que utiliza la batería.



ADVERTENCIA

1. Para reducir el riesgo de lesiones, cargue únicamente las baterías recargables autorizadas por Motorola que aparecen en la tabla 4. Otras baterías distintas a las especificadas podrían explotar, lo que causaría lesiones y daños personales.
2. El uso de accesorios no recomendados por Motorola puede provocar riesgo de incendio, descarga eléctrica o lesiones.
3. Al desconectar el cargador, tire del enchufe y nunca del cable a fin de reducir el riesgo de daños en el enchufe y el cable de alimentación.
4. No utilice un cable alargador a menos que sea absolutamente necesario. El uso de un cable alargador inadecuado podría ocasionar un incendio o descargas eléctricas. En caso de utilizar un cable alargador, asegúrese de que el grosor del cable es de 18 AWG para longitudes superiores a 30,48 m (100 pies), y de 16 AWG para longitudes superiores a 45,72 m (150 pies).
5. Para reducir el riesgo de incendio, descarga eléctrica o lesiones, no manipule el cargador si está roto o dañado. Llévelo a un representante cualificado del servicio técnico de Motorola.
6. Sólo un técnico de servicio cualificado autorizado por Motorola, podrá reparar el cargador múltiple adaptable IMPRES. Cualquier violación de estas instrucciones anulará la garantía.
7. Para reducir el riesgo de descarga eléctrica, desenchufe el cargador de la toma de alimentación de CA antes de proceder a su mantenimiento o limpieza.

ADVERTENCIAS (cont.)



ADVERTENCIA

8. En caso de que tenga que reponer los fusibles, utilice únicamente fusibles del mismo tipo y gama que los que se encuentran en la etiqueta del cargador. Reponga sólo fusibles que cuenten con la aprobación Cooper-Bussman GDC-3.15 o equivalente. Los siguientes componentes pueden solicitarse a la División de servicios y productos de radioteléfonos de Motorola (1-800-422-4210 [Estados Unidos y Canadá] o 1-847-538-8023 [Internacional]):

Fusible	6571489S01
Cubierta	0987739G01

9. Este es un producto de clase A. En un entorno doméstico, este producto puede producir interferencias de radio, en cuyo caso el usuario deberá tomar las medidas correctivas necesarias.

DIRECTRICES DE SEGURIDAD

- Cuando cargue la batería, apague la radio.
- Este equipo no está diseñado para su uso al aire libre. Utilícelo sólo en lugares secos.
- Conecte el equipo sólo a una fuente de alimentación del voltaje adecuado protegida por fusible y cableada correctamente (como se especifica en el producto).
- Desconecte el cargador de la red desenchufándolo de la toma de alimentación.
- La toma de alimentación a la que se conecte este equipo debe estar cerca y ser fácilmente accesible.
- En el caso de equipos que utilicen fusibles, los repuestos deben ser del tipo y régimen nominal especificados en las instrucciones del equipo.
- La temperatura ambiente a la que se encuentre el cargador no debe ser superior a 40 °C (104 °F).
- Asegúrese de que el cable no se encuentre en un lugar en el que se pueda pisar, ni esté sometido a humedad, daños o tensión.
- Esta unidad utiliza la misma unidad de montaje mural que el cargador múltiple NTN4796. El número de referencia de dicha unidad de montaje mural es NLN7967.

INSTRUCCIONES DE FUNCIONAMIENTO

El sistema del cargador adaptable IMPRES es un sistema de cuidado de las baterías totalmente automatizado. Todo lo que tiene que hacer es seguir estos sencillos pasos:

1. Coloque el radioteléfono o la batería IMPRES en el cargador.
2. Extraiga el radioteléfono o la batería IMPRES una vez que se hayan cargado por completo (el indicador LED se vuelve VERDE fijo).

Los receptáculos del cargador permiten cargar tanto un radioteléfono conectado a una batería IMPRES como una batería IMPRES sola. **Antes de cargar un radioteléfono con una batería IMPRES, apague el radioteléfono.** Las baterías se cargan mejor a temperatura ambiente.

Procedimiento de carga

1. Enchufe el extremo del cargador del cable de alimentación en el receptáculo de corriente situado en la parte trasera del cargador.
2. Enchufe el extremo del cable de alimentación que va a la pared en una toma de corriente alterna adecuada. Si el cargador se enciende correctamente aparecerá una luz **VERDE INTERMITENTE SENCILLA** en el indicador de carga.
3. Inserte una batería IMPRES o un radioteléfono con batería IMPRES **(el radioteléfono debe estar apagado)** en el receptáculo del cargador de la siguiente forma:
 - a. Alineando las ranuras de ambos lados de la batería con el raíl correspondiente (uno a cada lado del receptáculo del cargador).
 - b. Empujando la batería hacia la parte trasera del receptáculo.
 - c. Deslizando la batería en el receptáculo del cargador para asegurar un contacto completo entre el cargador y los contactos de la batería.
4. Utilice las dos manos para extraer un radioteléfono o una batería IMPRES del receptáculo del cargador; una para sujetar el cargador y la otra para extraer el radioteléfono o la batería.

Cuando la batería IMPRES esté correctamente colocada en el receptáculo del cargador, el indicador de carga se iluminará para indicar que ha reconocido la presencia de una batería. Consulte los indicadores de carga en la tabla 1.

Tabla 1: Indicadores de carga de la batería IMPRES

Indicador de carga	Descripción
<i>Verde intermitente sencillo</i>	El cargador se ha encendido correctamente.
<i>Rojo fijo</i>	La batería está en el modo de carga rápida.
<i>Verde intermitente</i>	La batería ha completado la carga rápida (>90 % de la capacidad total). La batería está en carga completa (carga lenta).
<i>Verde fijo</i>	La batería ha completado la carga y se ha cargado por completo.
<i>Naranja intermitente</i>	El cargador ha reconocido la batería, pero está esperando para iniciar la carga. (Puede que el voltaje de la batería sea demasiado bajo o que la temperatura de la batería sea demasiado baja o demasiado alta para realizar la carga. La batería comenzará a cargarse automáticamente cuando se corrijan estas condiciones.)
<i>Rojo intermitente</i>	La batería no puede cargarse o no está colocada correctamente.
<i>Naranja fijo</i>	(Esta función es exclusiva de las baterías IMPRES) la batería está en el modo de reacondicionamiento o inicio. El espacio de tiempo durante el que el cargador permanece en este modo depende del estado de carga restante en la batería en el momento de su inserción. (Las baterías completamente cargadas requieren más tiempo de reacondicionamiento – de ocho a doce horas o más – que las baterías totalmente descargadas).
<i>Rojo / verde intermitente</i>	(Esta función es exclusiva de las baterías IMPRES) la batería ha completado la carga y se ha cargado por completo. Puede seguir utilizándose la batería, pero puede estar a punto de finalizar su vida útil.

CONFIGURACIÓN INICIAL

Para habilitar las funciones de las baterías IMPRES de Motorola y del sistema de carga adaptable, el cargador deberá iniciar los datos contenidos en las baterías IMPRES de Motorola la primera vez que se carguen. Durante este proceso, aparecerá una luz **NARANJA FIJA** en el indicador de carga (como si la batería estuviese en proceso de reacondicionamiento). El proceso es automático, incluye un reacondicionamiento inicial de la batería y comienza con la carga hasta completar el proceso. Este proceso requiere tiempo para iniciar la batería; por tanto, debería dejarse ésta en el cargador unas 12 horas para que se complete el proceso. No extraiga la batería del cargador hasta que se encienda la luz **VERDE FIJA**.

REACONDICIONAMIENTO AUTOMÁTICO

Siempre que se utilicen baterías IMPRES de Motorola, el cargador adaptable IMPRES de Motorola puede determinar el momento adecuado para proceder al reacondicionamiento de la batería (necesario para eliminar problemas de memoria en las baterías IMPRES).

Siempre que las baterías IMPRES se inserten correctamente en el cargador, éste determinará si es apropiado reacondicionarla. Si es necesario reacondicionar la batería, aparecerá una luz **NARANJA FIJA** automáticamente. Este proceso puede tardar hasta 12 horas en completarse, según el estado de carga y la capacidad de la batería en el momento de su inserción.

Es importante advertir que el usuario deberá dejar que se completen los procesos de carga y reacondicionamiento de la batería IMPRES para conseguir una mayor eficacia. Deje la batería en el cargador hasta que aparezca una luz **VERDE FIJA** en el indicador de carga.

Cuando se haya completado el ciclo de reacondicionamiento, el cargador cargará la batería IMPRES automáticamente.

Finalización manual del proceso de reacondicionamiento

En cualquier momento durante el proceso de reacondicionamiento de las baterías IMPRES de Motorola (luz **NARANJA FIJA**), puede interrumpir este proceso extrayendo y volviendo a insertar las baterías en el cargador en los siguientes cinco segundos. Esto provocará que el cargador interrumpa el proceso de reacondicionamiento y comience el de carga. La luz del indicador de carga se cambiará entonces a **ROJA FIJA**. El cargador intentará reacondicionar la batería la próxima vez que se inserte.

Inicio manual del proceso de reacondicionamiento

Durante los dos minutos y medio posteriores a la inserción inicial de las baterías IMPRES (luz **ROJA FIJA**), extraiga la batería y vuelva a insertarla en los cinco próximos segundos para forzar manualmente el reacondicionamiento. La luz del indicador de carga pasará de **ROJA FIJA** a **NARANJA FIJA**. De este modo, se fuerza al cargador a realizar un reacondicionamiento y cargar la batería automáticamente. Esta función es especialmente útil cuando las baterías IMPRES han estado en desuso durante varios meses o un periodo más largo. Puede que sea necesario realizar dos o tres ciclos de reacondicionamiento manual para rejuvenecer las baterías, debido a las condiciones del desuso prolongado.

SOLUCIÓN DE PROBLEMAS

Cuando intente solucionar un problema, tenga siempre en cuenta el color del indicador LED.

Tabla 2: Solución de problemas

Problema	Significado...	Acción...
Sin indicación en el cargador	1a. No hay contacto en el cargador. 1b. Cargador sin alimentación.	1a. Compruebe que la radio con la batería, o la propia batería, están insertadas correctamente. 1b. <ul style="list-style-type: none">• Asegúrese de que el cable de alimentación está bien conectado al cargador y a la toma de CA adecuada, así como de que la toma tenga energía.• Cambie el fusible.
Indicador en Rojo intermitente	2a. No hay contacto en el cargador. 2b. La batería no es recargable.	2a. <ul style="list-style-type: none">• Retire la batería del cargador y vuélvala a insertar en el cargador.• Compruebe que la batería está autorizada por Motorola y aparece en la tabla 4. Es posible que no puedan cargarse otro tipo de baterías.• Desconecte la alimentación del cargador de baterías y, con ayuda de un paño limpio y seco, limpie los contactos dorados metálicos de carga de la batería y el cargador. 2b. Sustituya la batería.
Luz naranja intermitente	3. La batería está esperando para cargar. La temperatura de la batería puede estar por debajo de 5 °C (41 °F) o por encima de 40 °C (104 °F), o bien el voltaje de la batería puede ser inferior al nivel de umbral especificado para la carga rápida.	3. Una vez solucionada esta situación, la batería comenzará la carga.

MANTENIMIENTO

Sólo un técnico de servicio cualificado autorizado por Motorola podrá reparar el cargador múltiple adaptable IMPRES. Cualquier violación de estas instrucciones anulará la garantía. Si desea obtener más información sobre la utilización del cargador múltiple y del módulo de pantalla para cargadores, consulte el *Manual de mantenimiento del cargador*, 6871357L01.

Para solicitar mantenimiento en Estados Unidos, póngase en contacto con el departamento siguiente. Póngase en contacto y confirme sus datos antes de enviar la unidad al departamento de mantenimiento.

Centro de mantenimiento de Motorola

2200 Galvin Drive

Elgin, IL 60123

1-800-422-4210 (Estados Unidos y Canadá)

1-847-538-8023 (Internacional)

Para solicitar mantenimiento en la zona de EMEA (Europa, Oriente Medio y África), póngase en contacto con el departamento siguiente. Póngase en contacto y confirme sus datos antes de enviar la unidad al departamento de mantenimiento.

Centro de mantenimiento de Motorola

Motorola GmbH

Atención al cliente

Am Borsigturm 130

13507 Berlin

Alemania.

Tel: +49 30 6686 1555

CABLES DE ALIMENTACIÓN AUTORIZADOS POR MOTOROLA

Este cargador está diseñado para su uso en instalaciones de entre 100 y 240 V de corriente alterna y 50 / 60 Hz, y utiliza los siguientes cables de alimentación de Motorola.

Tabla 3: Cables de alimentación de Motorola

Tipo de enchufe	Kit cargador	Kit cargador (Modelo con pantalla)	Cable de alimentación
Nº del cable / enchufe de alimentación	WPLN4211/B	WPLN4218/B	Ninguno
EE.UU	WPLN4212/B	WPLN4219/B	3087791G01
Europa	WPLN4213/B	WPLN4220/B	3087791G04
Reino Unido	WPLN4214/B	WPLN4221/B	3087791G07
Australia / Nueva Zelanda	WPLN4215/B	WPLN4222/B	3087791G10
Argentina	WPLN4216/B	WPLN4223/B	3087791G13
Corea	WPLN4217/B	WPLN4224/B	3087791G16
EMEA híbrido	WPLN4237/B	WPLN4238/B	3087791G01
EE.UU. o Norteamérica 1-UP	Ninguno	WPLN4239/B	3087791G01
Japón	PMLN5256/B	Ninguno	Ninguno
Brazil	WPLN4277/B	WPLN4278/B	3087791G22

BATERÍAS AUTORIZADAS POR MOTOROLA

Las tablas siguientes incluyen una lista de las baterías que pueden utilizarse con los radioteléfonos abonados específicos que aparecen en los encabezados de las tablas.

Tabla 4: Baterías estándar e IMPRES para los radioteléfonos digitales profesionales

Número de referencia del kit	Composición química	FM	IMPRES
PMNN4065	NiMH	No	No
PMNN4066	Li-Ion	No	Si
PMNN4069	Li-Ion	Si	Si
PMNN4077	Li-Ion	No	Si
PMNN4101	Li-Ion	No	Si
PMNN4102	Li-Ion	Si	Si
PMNN4103	Li-Ion	No	Si
PMNN4104	NiMH	No	No
PMNN4406	Li-Ion	No	No
PMNN4407	Li-Ion	No	Si
PMNN4409	Li-Ion	No	Si
PMNN4412	NiMH	No	No
PMNN4415	NiMH	No	No
PMNN4416	Li-Ion	No	No
PMNN4417	Li-Ion	No	Si
PMNN4418	Li-Ion	No	Si
PMNN4424	Li-Ion	No	Si
NNTN8128	Li-Ion	No	Si
NNTN8129	Li-Ion	Si	Si
NNTN8305	Li-Ion	No	Si

NOTA:

la batería NNTN8305 solo es compatible con la revisión B del cargador para varias unidades y posterior.

Tabla 5. Baterías estándar e IMPRES para radios MOTOTRBO
(XPR 7550 Ex, DP 4801 Ex, DP 4401 Ex, XiR P8668 Ex, XiR P8608 Ex, DGP 8550 Ex, DGP 8050 Ex)

Número de referencia del kit	Composición química	FM	IMPRES
NNTN8359	Ion-litio	No; ATEX	Sí

Nota: si el indicador de carga del cargador indica continuamente que existe una batería defectuosa o que no se encuentra entre las indicadas en la Tabla 1, no podrá utilizar la batería en el entorno peligroso.

DESCRIPCIÓN DE CARACTERÍSTICAS Y VENTAJAS DE IMPRES

La solución que propone IMPRES es un avanzado sistema energético de triple composición química desarrollado por Motorola que incluye (a) baterías IMPRES, (b) un cargador múltiple adaptable IMPRES y (c) software y hardware para radiotelefonos, que posibilita que los radiotelefonos compatibles con IMPRES se comuniquen con las baterías IMPRES.

Al utilizar el cargador adaptable múltiple IMPRES junto con las baterías IMPRES de Motorola:

1. Aumentará el tiempo de funcionamiento entre ciclos de carga al eliminar automáticamente el efecto memoria.
2. Aumentará la vida de la batería al reducir de forma significativa el calor durante los ciclos de carga lenta y posterior a la carga.
3. Eliminará la necesidad de adquirir equipos de reacondicionamiento y de formar al personal para "llevar a cabo las tareas de mantenimiento de las baterías."

Gracias a este sistema patentado único, no será necesario controlar ni registrar el uso de las baterías IMPRES, realizar ciclos de reacondicionamiento manual ni extraer las baterías del cargador una vez se hayan cargado.

El cargador múltiple adaptable IMPRES supervisa el patrón de utilización de las baterías IMPRES, almacena dicha información en las baterías IMPRES y realiza ciclos de reacondicionamiento sólo cuando es necesario.

El cargador múltiple adaptable IMPRES no sobrecalienta la batería IMPRES independientemente del tiempo que pase en el receptáculo del cargador. El cargador supervisa la batería y la «completa» automáticamente según sea necesario.

MÓDULO DE PANTALLA PARA CARGADORES (CDM)

El cargador múltiple adaptable IMPRES puede reforzarse añadiendo un módulo de pantalla para cargadores (CDM). Encargue e instale la pieza de Motorola número RLN5382.

Información general de la pantalla

El cargador múltiple adaptable IMPRES con CDM ofrece valiosa información al tiempo que facilita el cuidado y mantenimiento de las baterías. La información que muestra el cargador y los indicadores correspondientes (LED) se detallan en las tablas siguientes.

Inicio

Encendido del cargador

LED	VERDE INTERMITENTE SENCILLO
Línea 1	IMPRES
Línea 2	

Sin baterías en los receptáculos

LED	OFF (APAGADO)
Línea 1	NO BATTERY (SIN BATERÍA)
Línea 2	

Lectura de datos de las baterías

LED	Cualquier luz definida
Línea 1	READING (LEYENDO)
Línea 2	BATTERY DATA (DATOS DE LAS BATERÍAS)

Sin baterías IMPRES en el receptáculo

LED	Definido por el estado de carga
Línea 1	NON-IMPRES (DISTINTA DE IMPRES)
Línea 2	BATTERY (BATERÍA)

Baterías IMPRES en los receptáculos

IMPRES y versiones de software son mostradas

LED	Definido por el estado de carga
Línea 1	IMPRES
Línea 2	SW xx.yy; aa.bb

NOTA:

xx.yy hace referencia a la version del software y aa.bb, a la version del software del CDM.

En la pantalla aparece el número del kit de baterías IMPRES y el número de serie (Cada batería IMPRES muestra un número de serie único para un fácil reconocimiento)

LED	Definidos por el estado de carga
Línea 1	KIT# ----- (N.º KIT)
Línea 2	SN: (N.º SERIE) -----

N.º de kit de baterías IMPRES y composición química

LED	Definido por el estado de carga
Línea 1	KIT# ----- (KIT N.º -----)
Línea 2	----CHEMISTRY (COMPOSICIÓN QUÍMICA)

Número de ciclos previsto antes del reacondicionamiento automático

LED	Definido por el estado de carga
Línea 1	---CYCLES (CICLOS)
Línea 2	TO RECONDITION (PARA REACONDICIONAR)

** Aparece sólo cuando se calcula que el número de ciclos que quedan para proceder al siguiente ciclo de reacondicionamiento es menor de seis.*

Cargador en espera para comenzar la carga, la batería está caliente

LED	NARANJA intermitente
Línea 1	WAITING TO CHG (EN ESPERA PARA COMENZAR LA CARGA)
Línea 2	HOT BATTERY (BATERÍA CALIENTE)

Cargador en espera para comenzar la carga, la batería está fría

LED	NARANJA intermitente
Línea 1	WAITING TO CHG (EN ESPERA PARA COMENZAR LA CARGA)
Línea 2	COLD BATTERY (BATERÍA FRÍA)

Cargador en espera para comenzar la carga, voltaje bajo

LED	NARANJA intermitente
Línea 1	WAITING TO CHG (EN ESPERA PARA COMENZAR LA CARGA)
Línea 2	LOW VOLTAGE (VOLTAJE BAJO)

NOTA:

No se mostrarán todas las pantallas mencionadas anteriormente. Por ejemplo, las pantallas de En espera para comenzar la carga (batería caliente, fría, voltaje bajo) aparecerán exclusivamente si la situación lo merece.

El cargador está en el modo de carga rápida

LED	ROJO fijo
Línea 1	RAPID CHARGE (CARGA RÁPIDA)
Línea 2	

Cargador en el modo de carga lenta

LED	VERDE intermitente
Línea 1	TRICKLE CHARGE (CARGA LENTA)
Línea 2	

Se ha completado la carga

LED	VERDE fija o ROJA / VERDE intermitente
Línea 1	CHARGE COMPLETE (CARGA COMPLETADA)
Línea 2	

El cargador está en el modo de descarga / reacondicionamiento

LED	NARANJA fija
Línea 1	DISCHARGE (DESCARGA)
Línea 2	

Calibración de baterías IMPRES

LED	NARANJA fija, ROJA fija y NARANJA o VERDE intermitentes
Línea 1	Calibrating (Calibrando)
Línea 2	Battery (Batería)

LED	VERDE fija
Línea 1	Battery (Batería)
Línea 2	Calibrated (Calibrada)

* Todas las baterías IMPRES deben calibrarse antes de utilizarlas por primera vez. Los cargadores IMPRES comenzarán la calibración automáticamente con todas las baterías nuevas.

Los datos de capacidad de la batería aparecen en la pantalla como “%” en mA_H, y el voltaje para las baterías IMPRES solamente

Indicador LED	Definidos por el estado de carga
Línea 1	----% RATED CAP. (CAPACIDAD NOMINAL)
Línea 2	----mA _H --.-V

Capacidad estimada después de la carga para baterías IMPRES solamente

Indicador LED	Definida por el estado de carga
Línea 1	EST CAP AFTER (CAPACIDAD ESTIMADA DESPUÉS DE)
Línea 2	CHARGE xx% (CARGA xx%)

NOTA:

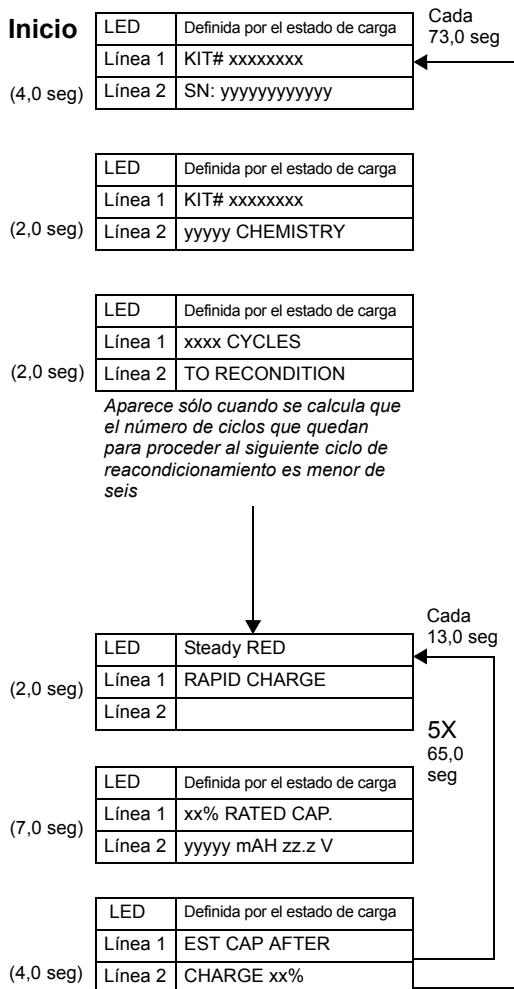
Puede que las baterías IMPRES completamente cargadas que se inserten en un receptáculo diferente muestren una capacidad inicial un poco menor debido a una estimación errónea. El cargador la corregirá cuando la batería se cargue completamente en el nuevo receptáculo, lo que generalmente ocurre en pocos minutos.

NOTA:

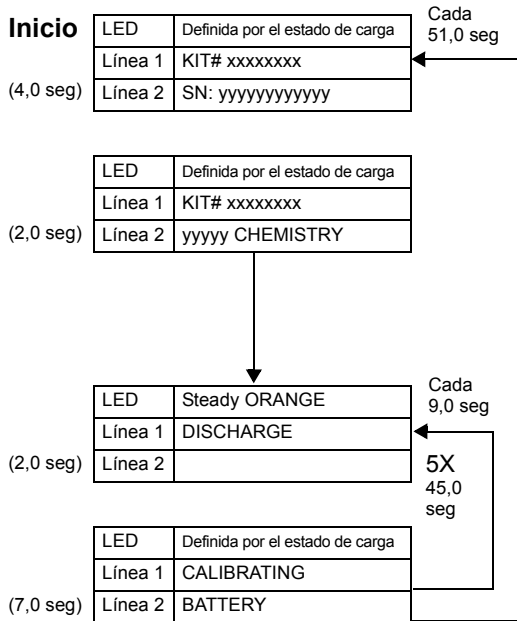
- (1) El tiempo estimado para completar la carga rápida puede incluir el tiempo restante para completar el ciclo de descarga más el tiempo necesario para completar el ciclo de carga rápida.
- (2) La información sobre la capacidad de la batería no aparecerá en aquellas baterías que no se hayan calibrado.
- (3) El uso de baterías IMPRES con cargadores distintos de IMPRES pueden afectar a la capacidad y la precisión del tiempo de carga.
- (4) El uso de paquetes de baterías IMPRES que no se hayan calibrado puede afectar a la precisión del tiempo de carga.

Diagramas de secuenciación para las baterías IMPRES

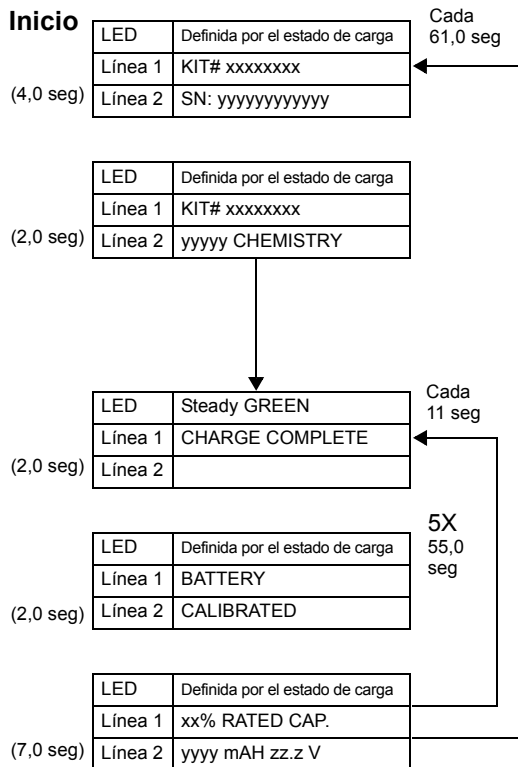
Secuencia de la pantalla con baterías Li-Ion IMPRES



Antes de la calibración:



Después de la calibración:



Orientación del texto en la pantalla

Para permitir el montaje mural o de sobremesa del cargador múltiple adaptable IMPRES, el CDM está equipado para «girar» 180 grados el texto de la pantalla.

Si desea hacerlo, introduzca un clip grande en el agujero que se encuentra en la parte inferior de la pantalla, perpendicular a la sobremesa. El sonido de un «clic» indicará que se ha accionado el botón alterno y, por tanto, el texto se ha girado 180 grados.

INDICE 1

Precauzioni per il funzionamento sicuro	4
Istruzioni per l'uso	5
Carica della batteria	5
Inizializzazione	7
Ricondizionamento automatico 7	
Interruzione manuale del processo di ricondizionamento	8
Avvio manuale del processo di ricondizionamento	8
Diagnostica	9
Manutenzione	10
Cavi di alimentazione approvati da Motorola	11
Batterie approvate da Motorola	12
Descrizione delle caratteristiche e dei benefici di IMPRES	13
Caricatori dotati di modulo display (CDM)	14
Informazioni generali sul display	14
Diagrammi di Sequenze delle Batterie IMPRES	19
Orientazione del testo sul display.....	21

INFORMAZIONI IMPORTANTI SULLA SICUREZZA

CONSERVARE QUESTE ISTRUZIONI

Nel presente documento sono riportate informazioni importanti sulla sicurezza e l'utilizzo. Leggere con attenzione queste istruzioni e conservarle per riferimento futuro.

Prima di utilizzare il caricatore, leggere con attenzione tutte le istruzioni e le avvertenze relative (1) al caricatore, (2) alla batteria e (3) alla radio in cui è inserita la batteria.



AVVERTENZA

1. Per ridurre il rischio di lesioni, caricare solo le batterie ricaricabili, approvate da Motorola, elencate nella Tabella 4. L'uso di altre batterie può comportare pericolo di esplosioni, che potrebbero causare lesioni personali o danni.
2. L'uso di accessori non consigliati da Motorola può comportare rischio d'incendio, scosse elettriche o lesioni.
3. Per ridurre il rischio di danni alla spina elettrica o al cavo, scollegare il caricatore staccando la spina e non tirando il cavo.
4. Non utilizzare prolunghie salvo che non sia assolutamente necessario. L'uso di una prolunga non idonea può comportare rischio di incendio e scosse elettriche. Se è necessario utilizzare una prolunga, accertarsi che il cavo sia del diametro di 18 AWG per le prolunghie fino a 30,48 m e di 16 AWG per quelle fino a 45,72 m.
5. Per ridurre il rischio d'incendio, scosse elettriche o lesioni, non utilizzare il caricatore se è rotto o danneggiato. Portarlo a un centro assistenza Motorola qualificato e autorizzato.
6. Il caricatore adattivo a più unità IMPRES può essere riparato solo da tecnici specializzati, autorizzati da Motorola. La mancata osservanza di questo requisito renderà nulla la garanzia dell'unità.

AVVERTENZE (continua)



AVVERTENZA

7. Per ridurre il rischio di scosse elettriche, scollegare il caricatore dalla presa di rete prima di eseguire la manutenzione o di pulirlo.

8. Sostituire i fusibili solo con quelli dello stesso tipo e taratura elencati sull'etichetta del caricatore. Sostituire i fusibili con quelli Cooper-Bussman GDC-3.15 o di tipo equivalente. Le seguenti parti possono essere ordinate presso Motorola Radio Products and Services Division (1-800-422-4210 [USA e Canada] o 1-847-538-8023 [Internazionale]):

Fusibile 6571489S01
Coperchio 0987739G01

9. Questo prodotto appartiene alla classe A. In ambiente residenziale, questo prodotto può causare interferenze radio; in questo caso è necessario adottare misure adeguate.

PRECAUZIONI PER IL FUNZIONAMENTO SICURO

- Spegnerne la radio quando si carica la batteria.
- L'apparecchio non è adatto per essere utilizzato all'aperto. Utilizzare solo in ambienti asciutti.
- Collegare l'apparecchio a una presa dotata di salvavita e con la tensione corretta, come specificato sul prodotto.
- Scollegare dalla tensione di rete staccando la spina dalla presa.
- La presa di rete cui l'apparecchio è collegato deve essere vicina e di facile accesso.
- Negli apparecchi dotati di fusibili, quelli di ricambio devono essere di tipo e taratura uguali alle specifiche riportate nelle istruzioni che accompagnano l'apparecchio.
- La temperatura ambiente massima nell'area circostante l'alimentatore non deve superare i 40 °C.

- Verificare che il cavo sia posizionato in modo che non venga calpestato, che non intralci il passaggio o che non venga bagnato, danneggiato o sia soggetto a sollecitazioni.
- Questo caricatore utilizza la stessa unità di montaggio a muro del caricatore a più unità NTN4796; il codice parte dell'unità di montaggio a muro è NLN7967.

ISTRUZIONI PER L'USO

Il sistema di caricatori adattivi IMPRES è un sistema per la manutenzione delle batterie completamente automatizzato. L'utente deve solo eseguire queste semplici operazioni:

1. Inserire la radio / la batteria IMPRES nel caricatore
2. Rimuovere la radio / la batteria IMPRES a carica ultimata (il LED verde RESTA ACCESO)

I vani del caricatore possono alloggiare la radio con la batteria IMPRES inserita oppure la sola batteria IMPRES. **Prima di caricare la batteria IMPRES inserita nella radio, spegnere la radio.** Per una carica ottimale, utilizzare il caricatore a temperatura ambiente.

Carica della batteria

1. Inserire lo spinotto del cavo di alimentazione nella presa sulla parte posteriore del caricatore.
2. Inserire la spina del cavo di alimentazione nella presa di rete appropriata. Se l'accensione avviene correttamente, l'indicatore **VERDE** del caricatore **lampeggia una sola volta.**

3. Inserire la batteria IMPRES o la radio con la batteria IMPRES (**con la radio spenta**) nel vano del caricatore:
 - a. allineando la scanalatura su ciascun lato della batteria alla rispettiva rotaia in rilievo su ciascun lato del vano del caricatore
 - b. spingendo la batteria verso la parte posteriore del vano
 - c. facendo scivolare la batteria nel vano del caricatore, verificando che i contatti del caricatore e della batteria vengano a contatto.

4. Rimuovere la radio o la batteria IMPRES dal vano del caricatore con entrambe le mani: tenere saldo il caricatore con una mano e rimuovere la radio o la batteria con l'altra.

Quando la batteria IMPRES è alloggiata correttamente nel vano, l'indicatore del caricatore si illumina, per segnalare che ne ha rilevato la presenza. Per gli indicatori di carica, vedere la Tabella 1.

Tabella 1: Indicatori di carica per le batterie IMPRES

Indicatore di carica	Descrizione
<i>Verde lampeggiante una sola volta</i>	Accensione corretta del caricatore.
<i>Rosso</i>	La batteria è nella modalità di caricamento rapido.
<i>Verde lampeggiante</i>	Il ciclo di carica rapida è stato completato (>90 % della capacità disponibile). La batteria passa alla carica di mantenimento.
<i>Verde</i>	Il ciclo di carica è completato e la batteria è completamente carica.
<i>Arancione lampeggiante</i>	La batteria è stata rilevata dal caricatore, ma è in attesa di essere caricata. (La tensione della batteria è troppo bassa oppure la sua temperatura è troppo bassa o troppo alta per consentire il processo di carica. Questo avrà inizio non appena le condizioni si saranno normalizzate.)
<i>Rosso lampeggiante</i>	La batteria non può essere caricata o non ha un buon contatto con il caricatore.

Tabella 1: Indicatori di carica per le batterie IMPRES

Indicatore di carica	Descrizione
<i>Arancione</i>	(Questa funzione è disponibile solo con le batterie IMPRES) La batteria è nella modalità di ricondizionamento o inizializzazione. Il periodo per il quale il caricatore resta in questa modalità dipende dallo stato di carica restante nella batteria al momento del suo inserimento nel vano. (Il tempo di ricondizionamento di batterie completamente cariche – 8 o più ore – è maggiore del tempo richiesto per batterie completamente scariche.)
<i>Rosso e verde lampeggiante</i>	(Questa funzione è disponibile solo con le batterie IMPRES) Il ciclo di carica è completato e la batteria è completamente carica. La batteria continua ad essere utilizzabile, ma è vicina al termine del suo normale ciclo di vita.

INIZIALIZZAZIONE

Affinché le funzioni delle batterie IMPRES e del sistema di carica adattivo di Motorola siano completamente disponibili, il caricatore deve inizializzare i dati contenuti nelle batterie IMPRES quando vengono caricate per la prima volta. Questo processo viene segnalato dall'accensione dell'indicatore **ARANCIONE** (come avviene per il processo di ricondizionamento). Il processo è automatico e comprende un primo ricondizionamento della batteria, al termine del quale ha inizio la carica. Poiché l'inizializzazione della batteria richiede del tempo, essa va lasciata nel caricatore per circa 12 ore quando la si carica per la prima volta. Non rimuovere la batteria dal caricatore finché l'indicatore non passa dall'arancione al **VERDE**.

RICONDIZIONAMENTO AUTOMATICO

Il caricatore adattivo IMPRES, utilizzato assieme alla batteria IMPRES Motorola, è in grado di determinare quando la batteria deve essere ricondizionata (questo processo è necessario per rimuovere i problemi di memoria in questo tipo di batterie).

Se la batteria IMPRES è alloggiata correttamente, il caricatore determina se il ricondizionamento è necessario, nel qual caso, il caricatore inizia automaticamente il processo di ricondizionamento, segnalato dall'accensione dell'indicatore **ARANCIONE**. Il processo può impiegare fino a 12 ore, a seconda dello stato di carica e della capacità della batteria al momento dell'inserimento nel caricatore.

È importante ricordare che, affinché questo processo sia efficace, la batteria deve poter completare il ciclo di ricondizionamento e di carica. Lasciare la batteria nel caricatore finché l'indicatore non passa dall'arancione al **VERDE**.

Al termine del ciclo di ricondizionamento, il caricatore inizia automaticamente quello di carica.

Interruzione manuale del processo di ricondizionamento

In qualsiasi momento durante il ciclo di ricondizionamento di una batteria IMPRES Motorola (indicatore **ARANCIONE**), è possibile interrompere il ricondizionamento rimuovendo la batteria e reinserendola entro 5 secondi. Questa operazione fa sì che il caricatore termini il processo di ricondizionamento ed inizi quello di carica. L'indicatore passa dall'arancione al **ROSSO**. Il caricatore cercherà di ricondizionare la batteria quando questa verrà inserita in un momento successivo.

Avvio manuale del processo di ricondizionamento

Per ricondizionare manualmente la batteria IMPRES, entro 2 minuti e $\frac{1}{2}$ dall'inserimento iniziale nel caricatore (indicatore **ROSSO**) rimuoverla e quindi reinserirla entro 5 secondi. L'indicatore del caricatore passa dal **ROSSO** all'**ARANCIONE**. Questa operazione forza il ricondizionamento, al termine del quale la batteria verrà caricata automaticamente. Questa caratteristica è particolarmente utile quando le batterie IMPRES sono rimaste in magazzino per più mesi o per periodi più lunghi. È possibile che, per ricondizionare le batterie rimaste in magazzino per periodi prolungati, siano necessari due o tre cicli di ricondizionamento manuale.

DIAGNOSTICA

Quando si esegue questo processo di diagnostica, osservare il colore del LED:

Tabella 2: Diagnostica

Problema	Causa	Azione correttiva
Indicatore spento	1a. Il caricatore e la batteria non sono in contatto. 1b. Non arriva alimentazione al caricatore.	1a. Controllare che la radio con la batteria o la sola batteria sia alloggiata correttamente. 1b. • Verificare che il cavo di alimentazione sia inserito correttamente nel caricatore e nella presa di rete appropriata e che la corrente venga erogata dalla presa di rete. • Sostituire il fusibile (o i fusibili).
Indicatore rosso lampeggiante	2a. Il caricatore e la batteria non sono in contatto. 2b. La batteria non può essere caricata.	2a. • Rimuovere e reinserire la batteria nel caricatore. • Verificare che la batteria sia una batteria approvata da Motorola, come elencato nella Tabella 4. È possibile che altri tipi di batterie non vengano caricati. • Staccare il caricatore dalla presa di rete, quindi pulire i contatti di carica, di metallo dorato, della batteria e del caricatore con un panno pulito ed asciutto. 2b. Sostituire la batteria.
Indicatore arancione lampeggiante	3. La batteria è in attesa di essere caricata. È possibile che la temperatura della batteria sia inferiore a 5 °C o superiore a 40 °C, oppure che la tensione della batteria sia inferiore al livello di soglia predefinito per la carica rapida.	3. La carica della batteria avrà inizio non appena le condizioni si sono normalizzate.

MANUTENZIONE

Il caricatore adattivo a più unità IMPRES può essere riparato solo da tecnici specializzati, autorizzati da Motorola. La mancata osservanza di questo requisito renderà nulla la garanzia dell'unità. Per ulteriori informazioni sulla riparazione dei caricatori a più unità e di quelli dotati di modulo display, consultare il Manuale per la riparazione del caricatore, 6871357L01.

Per la riparazione dell'unità (negli Stati Uniti), rivolgersi al Centro riparazioni riportato di seguito. Prima di restituirla, chiamare il Centro per segnalare la spedizione.

Motorola Service Center

2200 Galvin Drive
Elgin, IL 60123
1-800-422-4210 (USA e Canada)
1-847-538-8023 (Internazionale)

Per la riparazione dell'unità (EMEA), rivolgersi al Centro riparazioni riportato di seguito. Prima di restituirla, chiamare il Centro per segnalare la spedizione.

Motorola Service Center

Motorola GmbH
Customer Care
Am Borsigturm 130
13507 Berlino
Germania.

Tel: +49 30 6686 1555

CAVI DI ALIMENTAZIONE APPROVATI DA MOTOROLA

Questo caricatore è progettato per l'uso con tensioni di rete comprese tra 100 V c.a. e 240 V c.a., 50 / 60 Hz e con i seguenti cavi di alimentazione Motorola.

Tabella 3: Cavi di alimentazione Motorola

Tipo di spina	Kit del caricatore	Kit del caricatore (Modello con display)	Cavo di alimentazione
Nessun cavo / spina	WPLN4211/B	WPLN4218/B	Nessuno
U.S.	WPLN4212/B	WPLN4219/B	3087791G01
Europa	WPLN4213/B	WPLN4220/B	3087791G04
U.K.	WPLN4214/B	WPLN4221/B	3087791G07
Australia/Neozelanda	WPLN4215/B	WPLN4222/B	3087791G10
Argentina	WPLN4216/B	WPLN4223/B	3087791G13
Corea	WPLN4217/B	WPLN4224/B	3087791G16
Ibrido EMEA	WPLN4237/B	WPLN4238/B	3087791G01
USA/America del Nord 1-UP	Nessuno	WPLN4239/B	3087791G01
Giappone	PMLN5256/B	Nessuno	Nessuno
Brazil	WPLN4277/B	WPLN4278/B	3087791G22

BATTERIE APPROVATE DA MOTOROLA

Nelle tabelle che seguono è riportato l'elenco delle batterie che possono essere utilizzate con specifiche radio abbonate, come indicato nell'intestazione delle tabelle.

Tabella 4: Batterie standard e IMPRES per le radio digitali professionali

Kit (PN)	Tipo	FM	IMPRES
PMNN4065	NiMH	No	No
PMNN4066	Li-Ion	No	Sì
PMNN4069	Li-Ion	Sì	Sì
PMNN4077	Li-Ion	No	Sì
PMNN4101	Li-Ion	No	Sì
PMNN4102	Li-Ion	Sì	Sì
PMNN4103	Li-Ion	No	Sì
PMNN4104	NiMH	No	No
PMNN4406	Li-Ion	No	No
PMNN4407	Li-Ion	No	Sì
PMNN4409	Li-Ion	No	Sì
PMNN4412	NiMH	No	No
PMNN4415	NiMH	No	No
PMNN4416	Li-Ion	No	No
PMNN4417	Li-Ion	No	Sì
PMNN4418	Li-Ion	No	Sì
PMNN4424	Li-Ion	No	Sì
NNTN8128	Li-Ion	No	Sì
NNTN8129	Li-Ion	Sì	Sì
NNTN8305	Li-Ion	No	Sì

NOTA:

la batteria NNTN8305 è compatibile solo con MUC revisione B e successive.

Tabella 5. Batterie standard e IMPRES per radio MOTOTRBO (XPR 7550 Ex, DP 4801 Ex, DP 4401 Ex, XiR P8668 Ex, XiR P8608 Ex, DGP 8550 Ex, DGP 8050 Ex)

Kit (PN)	Tipo	FM	IMPRES
NNTN8359	Ioni di litio	No; ATEX	Sì

Nota: se la spia luminosa di ricarica sul caricabatterie indica in modo costante che la batteria è difettosa o che è diversa da quelle riportate nella Tabella 1, ciò significa che la batteria non può più essere utilizzata nell'ambiente pericoloso.

DESCRIZIONE DELLE CARATTERISTICHE E DEI BENEFICI DI IMPRES

La soluzione IMPRES è un sistema avanzato con tre chimiche, concepito da Motorola, che consiste di (a) batterie IMPRES, (b) caricatore adattivo a più unità IMPRES e (c) hardware e software della radio che permette alle radio compatibili con IMPRES di comunicare con le batterie IMPRES.

Se utilizzato con le batterie IMPRES, il caricatore adattivo a più unità IMPRES consente di:

1. massimizzare il tempo operativo tra i cicli di carica, eliminando automaticamente l'effetto memoria;
2. massimizzare la durata della batteria, riducendone notevolmente il riscaldamento durante i cicli di carica di mantenimento e di post-carica;
3. eliminare la necessità di acquistare apparecchi di ricondizionamento e di formare il personale nella "gestione dei compiti di manutenzione delle batterie."

Grazie a questo esclusivo sistema brevettato, non è più necessario tenere le registrazioni dell'uso della batteria, eseguire manualmente i cicli di ricondizionamento né rimuovere le batterie dal caricatore dopo averle caricate.

Il caricatore adattivo a più unità IMPRES controlla le modalità di utilizzo della batteria IMPRES, memorizza in esse i dati ed esegue il ciclo di ricondizionamento solo quando è necessario.

Il caricatore adattivo a più unità IMPRES non surriscalda la batteria, indipendentemente dal tempo in cui rimane nel vano del caricatore. Il caricatore controlla il livello di carica della batteria e, all'occorrenza, passa automaticamente alla carica di mantenimento.

CARICATORI DOTATI DI MODULO DISPLAY (CDM)

Il caricatore adattivo a più unità IMPRES può essere potenziato installando un modulo display per caricatori (CDM). Ordinare e installare il modulo, codice parte Motorola RLN5382.

Informazioni generali sul display

Il caricatore adattivo a più unità IMPRES con CDM consente all'utente di visualizzare dati importanti durante l'esecuzione delle operazioni di manutenzione e ricondizionamento della batteria. I dati visualizzati dal caricatore e i relativi indicatori LED sono riportati nelle tabelle che seguono.

Avvio

All'accensione del caricatore

LED	VERDE, LAMPEGGIA UNA VOLTA
Riga 1	IMPRES
Riga 2	

Nessuna batteria nel vano

LED	OFF
Riga 1	NO BATTERY (NESSUNA BATTERIA)
Riga 2	

Lettura dei dati della batteria

LED	Qualsiasi indicazione definita
Riga 1	READING (LETTURA)
Riga 2	BATTERY DATA (DATI BATTERIA)

Batteria non IMPRES nel vano

LED	Definito dallo stato di carica
Riga 1	NON-IMPRES (NON IMPRES)
Riga 2	BATTERY (BATTERIA)

Batteria IMPRES nel vano

Vengono visualizzati IMPRES e la versione del software

LED	Definito dallo stato di carica
Riga 1	IMPRES
Riga 2	SW xx.yy; aa.bb

NOTA:

xx.yy indica la versione software del caricatore, mentre aa.bb la versione software del CDM.

Vengono visualizzati i numeri di kit e di serie della batteria IMPRES (Ogni batteria IMPRES ha un numero di serie esclusivo per identificarla con facilità)

LED	Definito dallo stato di carica
Riga 1	KIT# ----- (KIT n.-----)
Riga 2	SN: -----

Vengono visualizzati il numero del kit e il tipo di batteria IMPRES

LED	Definito dallo stato di carica
Riga 1	KIT# ----- (KIT n.-----)
Riga 2	----CHEMISTRY (TIPO-----)

Numero di cicli previsti prima del ricondizionamento automatico

LED	Definito dallo stato di carica
Riga 1	----CYCLES (----CICLI)
Riga 2	TO RECONDITION (AL RICONDIZIONAMENTO)

** Visualizzato solo se il numero stimato di cicli prima del ciclo di ricondizionamento successivo è inferiore a sei.*

Il caricatore è in attesa di iniziare la carica: la batteria è calda

LED	ARANCIONE lampeggiante
Riga 1	WAITING TO CHG (IN ATTESA DI CAR)
Riga 2	HOT BATTERY (BATTERIA CALDA)

Il caricatore è in attesa di iniziare la carica: la batteria è fredda

LED	ARANCIONE lampeggiante
Riga 1	WAITING TO CHG (IN ATTESA DI CAR)
Riga 2	COLD BATTERY (BATTERIA FREDDA)

Il caricatore è in attesa di iniziare la carica: tensione bassa

LED	ARANCIONE lampeggiante
Riga 1	WAITING TO CHG (IN ATTESA DI CAR)
Riga 2	LOW VOLTAGE (BASSA TENSIONE)

NOTA:

Non tutte le informazioni summenzionate verranno visualizzate sul display. Ad esempio, quelle relative all'attesa di inizio della carica (batteria calda o fredda, bassa tensione) verranno visualizzate solo quando richiesto dal caso.

Caricatore nella modalità di carica rapida

LED	Steady RED
Riga 1	RAPID CHARGE
Riga 2	

Il caricatore è nella modalità di carica di mantenimento

LED	VERDE lampeggiante
Riga 1	TRICKLE CHARGE (CARICA DI MANTENIMENTO)
Riga 2	

Carica ultimata

LED	VERDE; oppure ROSSO/VERDE lampeggiante
Riga 1	CHARGE COMPLETE (CARICA ULTIMATA)
Riga 2	

Il caricatore è nella modalità di scarica/ricondizionamento

LED	ARANCIONE
Riga 1	DISCHARGE (SCARICA)
Riga 2	

Il caricatore sta calibrando una batteria IMPRES

LED	ARANCIONE, ROSSO, e ARANCIONE o VERDE lampeggiante
Riga 1	Calibrating (Calibrazione)
Riga 2	Battery (Batteria)

LED	VERDE
Riga 1	Battery (Batteria)
Riga 2	Calibrated (Calibrata)

* Calibrare tutte le batterie IMPRES prima di utilizzarle per la prima volta. Il caricatore IMPRES avvierà automaticamente il processo di calibrazione in tutte le batterie nuove.

I dati di capacità della batteria sono visualizzati come "%", mAh e tensione solo per le batterie IMPRES

LED	Definito dallo stato di carica
Riga 1	----% RATED CAP. (----% CAP NOMINALE)
Riga 2	----mAh --.-V

Capacità stimata dopo la carica solo per le batterie IMPRES

LED	Definito dallo stato di carica
Riga 1	EST CAP AFTER (CAP STIM POST)
Riga 2	CHARGE xx% (CARICA xx%)

NOTA:

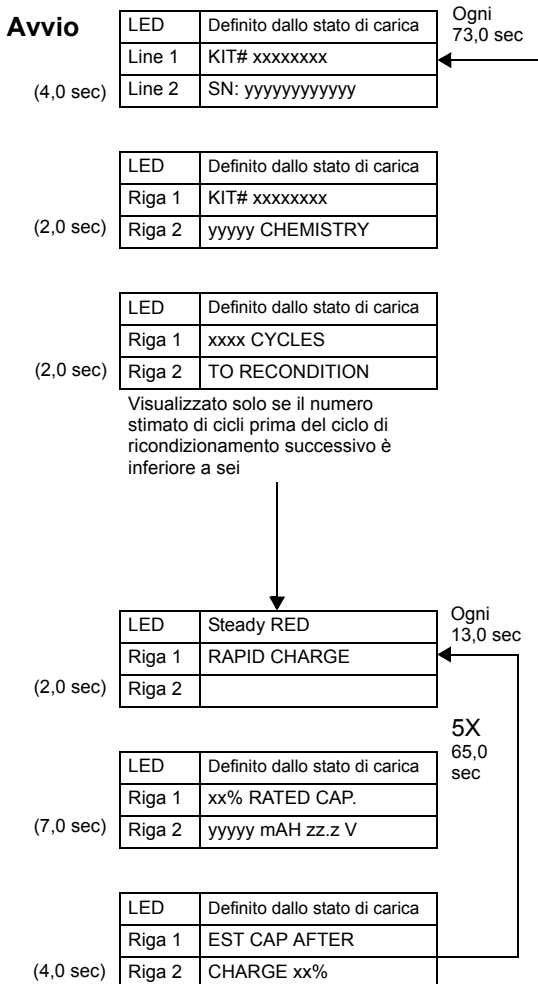
Se le batterie IMPRES completamente cariche vengono inserite immediatamente in un vano diverso, è possibile che venga indicata una capacità iniziale lievemente inferiore, per via della stima di perdita di capacità della batteria stazionaria. Il caricatore correggerà questa deviazione quando la batteria raggiungerà lo stato di carica completa nel nuovo vano, di regola entro pochi minuti.

NOTA:

- (1) La stima del tempo necessario a completare la carica rapida può comprendere il tempo restante per completare un ciclo di scarica più il tempo richiesto per ultimare un ciclo di carica rapida.
- (2) È possibile che i dati di capacità della batteria non vengano visualizzati in caso di batterie non calibrate.
- (3) Se le batterie IMPRES vengono caricate con caricatori non IMPRES, è possibile alterare la precisione della capacità e del tempo di carica.
- (4) L'uso di pacchi batteria IMPRES non calibrati può influenzare l'accuratezza del tempo di carica.

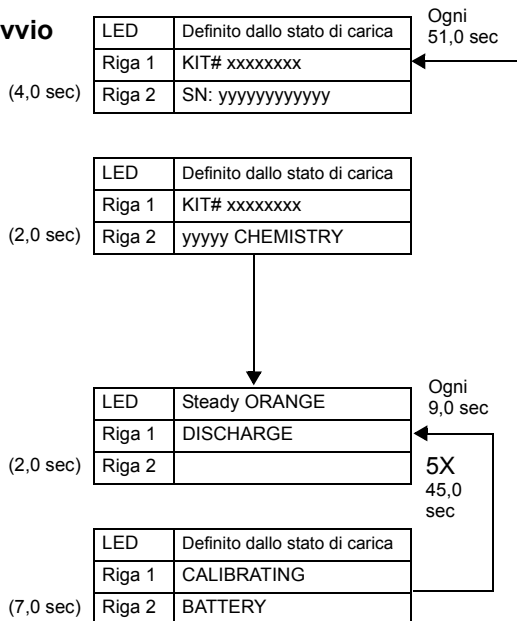
Diagrammi di Sequenze delle Batterie IMPRES

Sequenza di visualizzazione delle batterie IMPRES agli ioni di litio

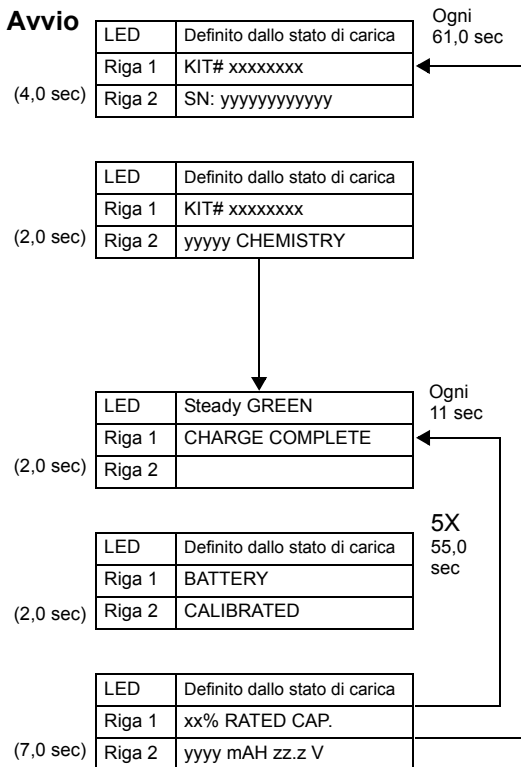


Prima della calibrazione:

Avvio



Dopo la calibrazione:



Orientazione del testo sul display

Per consentire il montaggio del caricatore adattivo a più unità IMPRES su tavolo o su parete, il CDM è dotato della funzione di “rotazione” del testo visualizzato a 180 gradi.

Per ruotare il testo, inserire una grossa graffa nel piccolo foro sottostante il display, in direzione perpendicolare alla superficie del tavolo. Uno scatto segnala l’attivazione del pulsante di selezione della rotazione e il testo viene ruotato di 180 gradi.

ÍNDICE

Directrizes para Funcionamento Seguro	3
Instruções de utilização	4
Procedimento de Carregamento	4
Iniciação	6
Recondicionamento Automático	6
Encerramento Manual do Processo de Recondicionamento	7
Iniciação Manual do Processo de Recondicionamento	7
Deteção e resolução de problemas	8
Assistência	9
Cabos de Alimentação Autorizados pela Motorola.....	10
Baterias Autorizadas pela Motorola.....	11
Descrição de Vantagem / Recurso IMPRES	12
Módulo de Visor para Carregador (CDM).....	13
Informações Gerais do Visor	13
Diagramas Sequenciais de Baterias IMPRES.....	18
Orientação do Texto do Visor.....	20

INSTRUÇÕES IMPORTANTES DE SEGURANÇA GUARDE ESTAS INSTRUÇÕES

Este documento contém instruções importantes de segurança e de utilização. Leia atentamente estas instruções e guarde-as para futura referência.

Antes de utilizar o carregador de baterias, leia todas as instruções e indicações de aviso existentes (1) no carregador, (2) na bateria (3) e no rádio no qual a bateria é utilizada.



AVISO

1. Para reduzir os riscos de ferimentos, carregue apenas as baterias recarregáveis autorizadas pela Motorola, indicadas na Tabela 4. Outros tipos de bateria podem explodir, provocando ferimentos e danos.
2. O uso de acessórios não recomendados pela Motorola poderá resultar em risco de incêndio, choque eléctrico ou ferimentos.
3. Para reduzir o risco de danos na ficha e cabos eléctricos, puxe pela ficha e não pelo cabo para desligar o carregador.
4. Não deve utilizar uma extensão, a menos que seja absolutamente necessária. O uso de uma extensão inadequada poderá resultar em risco de incêndio e choque eléctrico. Se tiver que utilizar uma extensão, certifique-se de que se trata de um cabo 18 AWG para comprimentos até 30,48 m e 16 AWG para comprimentos até 45,72 m.
5. Para reduzir o risco de incêndio, choque eléctrico ou ferimentos, não utilize o carregador se estiver partido ou de alguma forma danificado. Leve-o a um agente técnico qualificado Motorola.
6. O Carregador Multi-Unidades Adaptável IMPRES só pode ser reparado por um técnico de assistência qualificado, autorizado pela Motorola. Qualquer violação destas directrizes pode anular a garantia da unidade.



AVISO

7. Para reduzir o risco de choque eléctrico, retire a ficha do carregador da tomada CA antes de encetar qualquer procedimento de manutenção ou limpeza.

8. Em termos de substituição de fusíveis, utilize apenas os de igual tipo e valor nominal, indicados na etiqueta do carregador. Utilize apenas fusíveis de substituição Cooper-Bussman GDC-3.15 ou um equivalente aprovado. As peças que se seguem podem ser encomendadas em Motorola Radio Products and Services Division (1-800-422-4210 [EUA e Canadá] ou 1-847-538-8023 [Internacional]):

Fusível 6571489S01
Cobertura 0987739G01

9. Este produto pertence à classe A. Num ambiente doméstico, este produto pode causar interferências rádio e, neste caso, pode ser necessário que o utilizador adopte medidas correctivas adequadas.

DIRECTRIZES PARA FUNCIONAMENTO SEGURO

- Desligue o rádio para carregar a bateria.
- Este equipamento não é adequado para a utilização no exterior. Utilize-o apenas em locais / condições isentas de humidade.
- Ligue o equipamento apenas a uma tomada devidamente ligada e equipada com fusível e de tensão correcta (tal como especificado no produto).
- Desligue da tensão de linha, removendo a ficha principal da tomada.
- A tomada, à qual é ligado este equipamento, deve situar-se próxima do mesmo e ser facilmente acessível.
- Para equipamentos que utilizem fusíveis, as substituições devem ser compatíveis com o tipo e valor nominal especificados nas instruções do equipamento.
- A temperatura ambiente máxima à volta do carregador não deve exceder os 40 °C.
- Certifique-se de que o cabo se encontra posicionado de forma a que não seja pisado, trilhado ou fique sujeito a água, danos ou esforço.
- Esta unidade utiliza a mesma unidade de montagem na parede que o carregador múltiplo NTN4796. A referência da unidade de montagem de parede é NLN7967.

INSTRUÇÕES DE UTILIZAÇÃO

O Sistema do Carregador Adaptável IMPRES é um sistema de sustentação de baterias totalmente automático. Tudo o que o utilizador tem de fazer é seguir os simples passos que se seguem.

1. Coloque o rádio / bateria IMPRES no carregador.
2. Remova o rádio / bateria IMPRES quando a carga estiver completa (LED fica VERDE constante).

As cavidades do carregador podem acomodar um rádio com uma bateria IMPRES colocada ou apenas uma bateria IMPRES. **Desligue o rádio antes de carregar uma bateria IMPRES instalada num rádio.** As baterias carregam melhor à temperatura ambiente.

Procedimento de Carregamento

1. Ligue a parte do cabo de alimentação destinada ao carregador à tomada que se encontra na parte de trás do carregador.
2. Ligue a parte do cabo de alimentação destinada à tomada na tomada de CA adequada. Uma sequência de activação bem sucedida é indicada por **VERDE INTERMITENTE ÚNICO** no indicador do carregador.
3. Introduza uma bateria IMPRES ou um rádio equipado com uma bateria IMPRES (**com o rádio desligado**), na cavidade do carregador:
 - a. alinhe os entalhes de cada lado da bateria com as saliências correspondentes em ambos os lados da cavidade do carregador;
 - b. empurre a bateria em direcção à parte de trás da cavidade;
 - c. empurre a bateria para dentro da cavidade do carregador, certificando-se de que existe um contacto total entre o carregador e os contactos da bateria;

4. Para remover um rádio ou uma bateria IMPRES da cavidade do carregador, utilize as mãos para os remover da cavidade, utilizando uma mão para segurar no carregador e a outra para remover o rádio ou a bateria.

Quando a bateria IMPRES estiver devidamente encaixada na cavidade, o indicador do carregador acende-se, indicando que o carregador reconheceu a bateria. Consulte os indicadores de carregamento na Tabela 1.

Tabela 1. Indicadores de Carregamento de Bateria IMPRES

Indicador de carga	Descrição
<i>Verde intermitente único</i>	O carregador foi activado correctamente.
<i>Vermelho constante</i>	A bateria está no modo de carga rápida.
<i>Verde intermitente</i>	A bateria terminou a carga rápida (>90 % de capacidade disponível). A bateria está a completar a carga (carga lenta).
<i>Verde constante</i>	A bateria terminou o carregamento e está totalmente carregada.
<i>Cor-de-laranja intermitente</i>	A bateria é reconhecida pelo carregador mas aguarda o carregamento. (A tensão da bateria pode estar muito reduzida ou a temperatura pode estar muito alta ou baixa para permitir o carregamento. Quando esta condição for corrigida, a bateria inicia o carregamento automaticamente.)
<i>Vermelho intermitente</i>	A bateria não pode ser carregada ou não está a fazer contacto.
<i>Cor-de-laranja constante</i>	(Esta função só se aplica a baterias IMPRES) A bateria está em modo de recondicionamento ou de iniciação. O período de tempo em que o carregador permanece neste modo depende da carga restante na bateria quando esta é inserida. (As baterias com carga completa necessitam de mais tempo para o recondicionamento, 8 a 12 horas ou mais, do que as baterias sem qualquer carga.)
<i>Vermelho / Verde intermitente</i>	(Esta função só se aplica a baterias IMPRES) A bateria terminou o carregamento e está totalmente carregada. A bateria continua a ser utilizável, mas pode estar próxima do fim da vida útil.

INICIAÇÃO

De modo a disponibilizar totalmente as funções das baterias IMPRES Motorola e do Sistema de Carregamento Adaptável, os dados contidos nas baterias IMPRES Motorola têm que ser inicializados pelo carregador no primeiro carregamento. Este processo é indicado por uma luz **COR-DE-LARANJA CONSTANTE** no indicador do carregador (tal como se a bateria estivesse em recondicionamento). O processo é automático, inclui um recondicionamento inicial da bateria e inicia o carregamento depois de iniciado este processo. É necessário algum tempo para que este processo inicie a bateria, pelo que a bateria deve ser deixada no carregador durante cerca de 12 horas para completar o processo. Não retire a bateria do carregador até que se acenda a luz **VERDE CONSTANTE**.

RECONDICIONAMENTO AUTOMÁTICO

O Carregador Adaptável IMPRES Motorola, quando utilizado com uma bateria IMPRES Motorola, consegue determinar quando é apropriado recondicionar a bateria (é necessário remover os problemas de memória nas baterias IMPRES).

Quando uma bateria IMPRES é devidamente inserida no carregador, este determina se é apropriado fazer o recondicionamento da bateria. Se a bateria necessitar de recondicionamento, o carregador automaticamente indica **COR-DE-LARANJA CONSTANTE**. Este processo pode demorar até 12 horas para ficar completo, dependendo do estado da carga e do valor nominal da capacidade da bateria quando é inserida.

É importante ter em atenção que, para este processo ser eficaz, é necessário permitir que a bateria IMPRES complete o processo de recondicionamento / recarregamento. Deixe a bateria no carregador até que este indique **VERDE CONSTANTE**.

Depois de terminado o ciclo de recondicionamento, o carregador carrega automaticamente a bateria IMPRES.

Encerramento Manual do Processo de Recondicionamento

A qualquer momento durante o processo de recondicionamento de uma bateria IMPRES Motorola (indicação **COR-DE-LARANJA CONSTANTE**), o recondicionamento pode ser encerrado através da remoção e reinserção da bateria no carregador no prazo de 5 segundos. Isto fará com que o carregador encerre o processo de recondicionamento e inicie o processo de recarregamento. O indicador do carregador muda para **VERMELHO CONSTANTE**. O carregador tentará recondicionar a bateria quando esta voltar a ser inserida.

Iniciação Manual do Processo de Recondicionamento

No prazo de 2 – 1/2 minutos da primeira inserção de uma bateria IMPRES (indicação **VERMELHO CONSTANTE**), remova e reinsira a bateria no prazo de 5 segundos para forçar manualmente o recondicionamento. O indicador do carregador muda de **VERMELHO CONSTANTE** para **COR-DE-LARANJA CONSTANTE**. Isto obriga o carregador a fazer o recondicionamento e a carregar automaticamente a bateria. Trata-se de uma função útil para quando as baterias IMPRES são guardadas por vários meses ou mais. Podem ser necessários dois ou três ciclos de recondicionamento manual para rejuvenescer as baterias, devido ao armazenamento de longo termo.

DETECÇÃO E RESOLUÇÃO DE PROBLEMAS

Durante a detecção e resolução de problemas, verifique sempre a cor do LED.

Tabela 2. Detecção e resolução de problemas

Problema	O que significa...	O que fazer...
O carregador não fornece qualquer indicação	1a. Não existe contacto com o carregador. 1b. Alimentação para o carregador inexistente.	1a. Verifique se o rádio com bateria ou apenas a bateria se encontram devidamente colocados. 1b. <ul style="list-style-type: none"> • Certifique-se de que o cabo de alimentação está correctamente ligado ao carregador e a uma tomada CA e de que existe corrente para a tomada. • Substituir fusível (eis).
Indicação Vermelho Intermitente	2a. Não existe contacto com o carregador. 2b. A bateria não é carregável.	2a. <ul style="list-style-type: none"> • Retire a bateria do carregador e volte a colocá-la. • Verifique se se trata de uma bateria autorizada pela Motorola, indicada na tabela 4. Outros tipos de bateria poderão não ser carregados. • Desligue o carregador da bateria e, utilizando um pano limpo e seco, limpe os contactos metálicos dourados da bateria e do carregador. 2b. Substitua a bateria.
Indicação cor-de-laranja intermitente	3. A bateria aguarda carregamento. A temperatura da bateria poderá ser inferior a 5 °C ou superior a 40 °C ou a voltagem da mesma poderá ser inferior ao limite pré-definido para um carregamento rápido.	3. Uma vez corrigida esta condição, a bateria iniciará o carregamento.

ASSISTÊNCIA

O Carregador Multi-Unidades Adaptável IMPRES só pode ser reparado por um técnico de assistência qualificado, autorizado pela Motorola. Qualquer violação destas directrizes anula a garantia da unidade. Para obter mais informações sobre a manutenção do Carregador Multi-Unidades e do Módulo de Visor para Carregador, consulte o Manual de Assistência do Carregador, 6871357L01.

Para serviços de assistência em (EUA), contacte o entreposto que se segue. Ligue e confirme a devolução antes de enviar a unidade para manutenção no entreposto.

Centro de Assistência Motorola

2200 Galvin Drive

Elgin, IL 60123

1-800-422-4210 (EUA & Canadá)

1-847-538-8023 (Internacional)

Para serviços de assistência (EMEA), contacte o entreposto que se segue. Ligue e confirme a devolução antes de enviar a unidade para manutenção no entreposto.

Centro de Assistência Motorola

Motorola GmbH

Customer Care

Am Borsigturm 130

13507 Berlim

Alemanha.

Tel: +49 30 6686 1555

CABOS DE ALIMENTAÇÃO AUTORIZADOS PELA MOTOROLA

Este carregador deve ser utilizado em aplicações de 100 VCA até 240 VCA e 50 / 60 Hz e utiliza os cabos de alimentação Motorola que se seguem.

Tabela 3: Cabos de Alimentação Motorola

Tipo de ficha	Kit de carregador	Kit de carregador (Modelo de Visor)	Cabo de alimentação
Cabo de alimentação / ficha inexistentes	WPLN4211/B	WPLN4218/B	n / d
EUA	WPLN4212/B	WPLN4219/B	3087791G01
Europa	WPLN4213/B	WPLN4220/B	3087791G04
Reino Unido	WPLN4214/B	WPLN4221/B	3087791G07
Austrália / Nova Zelândia	WPLN4215/B	WPLN4222/B	3087791G10
Argentina	WPLN4216/B	WPLN4223/B	3087791G13
Coreia	WPLN4217/B	WPLN4224/B	3087791G16
EMEA Hybrid	WPLN4237/B	WPLN4238/B	3087791G01
EUA / AN 1-UP	n / d	WPLN4239/B	3087791G01
Japão	PMLN5256/B	n / d	n / d
Brazil	WPLN4277/B	WPLN4278/B	3087791G22

BATERIAS AUTORIZADAS PELA MOTOROLA

As tabelas seguintes possuem uma lista das baterias que podem ser utilizadas com os rádios específicos, identificados nos cabeçalhos das tabelas.

Tabela 4: Baterias de Série & IMPRES para Rádios Digitais Profissionais

Kit (REF)	Química	FM	IMPRES
PMNN4065	NiMH	Não	Não
PMNN4066	Iões de Lítio	Não	Sim
PMNN4069	Iões de Lítio	Sim	Sim
PMNN4077	Iões de Lítio	Não	Sim
PMNN4101	Iões de Lítio	Não	Sim
PMNN4102	Iões de Lítio	Sim	Sim
PMNN4103	Iões de Lítio	Não	Sim
PMNN4104	NiMH	Não	Não
PMNN4406	Iões de Lítio	Não	Não
PMNN4407	Iões de Lítio	Não	Sim
PMNN4409	Iões de Lítio	Não	Sim
PMNN4412	NiMH	Não	Não
PMNN4415	NiMH	Não	Não
PMNN4416	Iões de Lítio	Não	Não
PMNN4417	Iões de Lítio	Não	Sim
PMNN4418	Iões de Lítio	Não	Sim
PMNN4424	Iões de Lítio	Não	Sim
NNTN8128	Iões de Lítio	Não	Sim
NNTN8129	Iões de Lítio	Sim	Sim
NNTN8305	Iões de Lítio	Não	Sim

NOTA:

a bateria NNTN8305 apenas é compatível com um MUC versão B ou posterior.

Tabela 5. Baterias padrão e IMPRES para rádios MOTOTRBO (XPR 7550 Ex, DP 4801 Ex, DP 4401 Ex, XiR P8668 Ex, XiR P8608 Ex, DGP 8550 Ex, DGP 8050 Ex)

Kit (REF)	Química	FM	IMPRES
NNTN8359	lões de lítio	Não; ATEX	Sim

Observação: se o indicador luminoso de carregamento se acender constantemente, indica uma avaria na bateria ou que esta não está incluída na Tabela 1. A bateria deixa de poder ser utilizada num ambiente perigoso.

DESCRIÇÃO DE VANTAGEM / RECURSO IMPRES

A solução energética IMPRES é um sistema de energia Tri-Chemistry (três tipos de baterias) avançado desenvolvido pela Motorola, sendo composto por (a) baterias IMPRES, (b) Carregador Multi-Unidades Adaptável IMPRES e, (c) hardware / software do rádio, que permite a capacidade de os rádios compatíveis IMPRES comunicarem com as baterias IMPRES.

Quando o carregador auto adaptável múltiplo IMPRES é usado com as baterias Motorola IMPRES:

1. Maximiza o tempo de utilização entre ciclos de carga, eliminando automaticamente o efeito de memória.
2. Maximiza a vida útil da bateria, reduzindo significativamente o calor durante os ciclos de carga lenta e pós carga.
3. Elimina a necessidade de adquirir equipamento de reparação e de formar pessoal para "gerir tarefas de manutenção da bateria".

Com este sistema patenteado único, não é necessário acompanhar e registar a utilização da bateria IMPRES, efectuar ciclos manuais de recondicionamento nem remover as baterias dos carregadores após o carregamento.

O Carregador Multi-Unidades Adaptável IMPRES monitoriza o padrão de utilização da bateria IMPRES, guarda essa informação na bateria IMPRES e efectua um ciclo de recondicionamento, apenas quando é necessário.

O Carregador Multi-Unidades Adaptável IMPRES não provocará o sobreaquecimento da bateria IMPRES, independentemente do tempo que esta ficar na cavidade. O carregador monitoriza a bateria e, quando necessário, "completa-a" automaticamente.

MÓDULO DE VISOR PARA CARREGADOR (CDM)

O Carregador Multi-Unidades Adaptável IMPRES pode ser melhorado com o acréscimo de um módulo de visor para carregadores (CDM). Encomende e instale a referência Motorola RLN5382.

Informações Gerais do Visor

O Carregador Multi-Unidades Adaptável IMPRES com CDM proporciona informações valiosas ao utilizador enquanto executa a manutenção e cuidados da bateria. As informações que o carregador exhibe e os indicadores LED correspondentes estão descritos nas tabelas que se seguem.

Activação

Após Ligação do Carregador

LED	INTERMITÊNCIA SIMPLES VERDE
Linha 1	IMPRES
Linha 2	

Caso Não Haja Bateria na Cavidade

LED	OFF (DESLIGADO)
Linha 1	NO BATTERY (SEM BATERIA)
Linha 2	

A Ler Dados da Bateria

LED	Qualquer Indicação Definida
Linha 1	READING (A LER)
Linha 2	BATTERY DATA (DADOS DA BATERIA)

Bateria de Terceiros na Cavidade

LED	Definido por Estado de Carga
Linha 1	NON-IMPRES (DE TERCEIROS)
Linha 2	BATTERY (BATERIA)

Bateria IMPRES na Cavidade

Visualização das Versões IMPRES e de Software

LED	Definido por Estado de Carga
Linha 1	IMPRES
Linha 2	SW xx.yy; aa.bb

NOTA:

xx.yy indica a versão do software do carregador, aa.bb indica a versão do software do CDM.

Visualização de Kit de Bateria IMPRES # e Número de série # (Cada bateria IMPRES mostra um número de série único # para permitir uma fácil identificação)

LED	Definido por Estado de Carga
Linha 1	KIT# -----
Linha 2	SN: -----

Visualização do # do Kit e Química da Bateria IMPRES

LED	Definido por Estado de Carga
Linha 1	KIT# ----- (# do KIT)
Linha 2	----CHEMISTRY (QUÍMICA)

Previsão do # de Ciclos Anteriores ao Recondicionamento Automático

LED	Definido por Estado de Carga
Linha 1	----CYCLES (CICLOS)
Linha 2	TO RECONDITION (PARA RECONDICIONAMENTO)

* Visualizado apenas quando o número de ciclos anteriores ao ciclo de recondicionamento seguinte é calculado como sendo inferior a seis.

Carregador à Espera de Carregar, a Bateria está Quente

LED	COR-DE-LARANJA Intermitente
Linha 1	WAITING TO CHG (À ESPERA DE CARREGAR)
Linha 2	HOT BATTERY (BATERIA QUENTE)

Carregador à Espera de Carregar, a Bateria está Fria

LED	COR-DE-LARANJA Intermitente
Linha 1	WAITING TO CHG (À ESPERA DE CARREGAR)
Linha 2	COLD BATTERY (BATERIA FRIA)

Carregador à Espera de Carregar, Baixa Tensão

LED	COR-DE-LARANJA Intermitente
Linha 1	WAITING TO CHG (À ESPERA DE CARREGAR)
Linha 2	LOW VOLTAGE (BAIXA TENSÃO)

NOTA:

Nem todos os ecrãs mostrados acima serão exibidos. Por exemplo, os ecrãs À Espera de Carregar (bateria quente, fria, baixa tensão) apenas serão exibidos se a situação se justificar.

O Carregador está no Modo de Carga Rápida

LED	VERMELHO constante
Linha 1	RAPID CHARGE (CARGA RÁPIDA)
Linha 2	

Carregador em Modo de Carga Lenta

LED	VERDE Intermitente
Linha 1	TRICKLE CHARGE (CARGA LENTA)
Linha 2	

A Carga está Completa

LED	VERDE Constante ou VERMELHO / VERDE Intermitente
Linha 1	CHARGE COMPLETE (CARGA COMPLETA)
Linha 2	

Carregador em Modo de Descarga / Recondicionamento

LED	COR-DE-LARANJA Constante
Linha 1	DISCHARGE (DESCARGA)
Linha 2	

Carregador a Calibrar uma Bateria IMPRES

LED	COR-DE-LARANJA Constante, VERMELHO Constante e COR-DE-LARANJA ou VERDE Intermitente
Linha 1	Calibrating (A calibrar)
Linha 2	Battery (Bateria)

LED	VERDE Constante
Linha 1	Battery (Bateria)
Linha 2	Calibrated (Calibrada)

** Todas as baterias IMPRES devem ser calibradas antes da utilização inicial. Um carregador IMPRES iniciará automaticamente a calibragem de todas as baterias novas.*

Os Dados da Capacidade da Bateria são Mostrados como "%" em mAH e em Voltagem para Bateria IMPRES apenas

LED	Definido por Estado de Carga
Linha 1	----% RATED CAP. (----% de POTÊNCIA NOMINAL)
Linha 2	----mAH --.-V

Capacidade Estimada Após a Carga para Bateria IMPRES Apenas

LED	Definido por Estado de Carga
Linha 1	EST CAP AFTER (CAP. EST. APÓS)
Linha 2	CHARGE xx% (CARGA xx%)

NOTA:

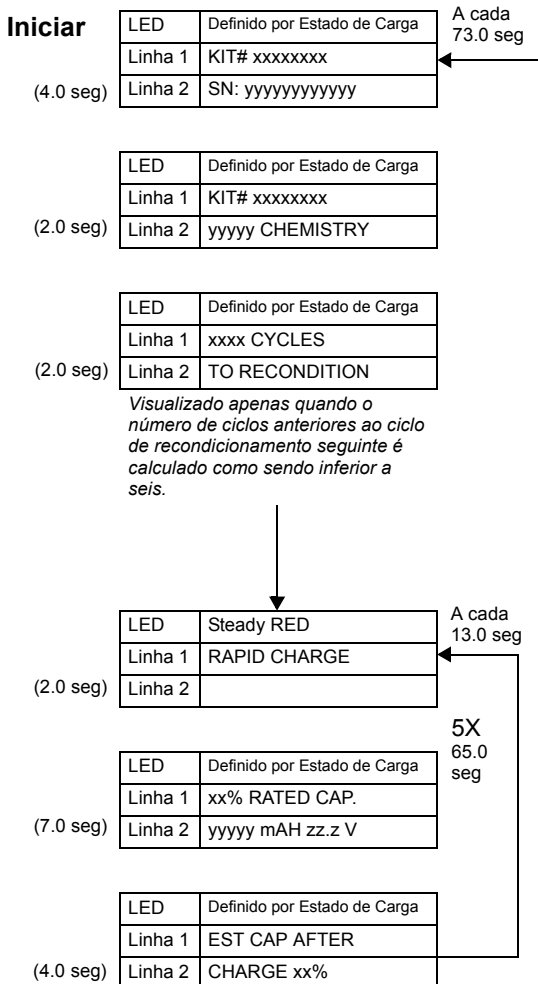
as baterias IMPRES completamente carregadas inseridas imediatamente numa cavidade diferente podem mostrar uma capacidade inicial ligeiramente inferior, devido a estimativas de potência de manutenção. O carregador corrigirá este desvio quando a bateria atingir a carga total na nova cavidade, o que normalmente demora poucos minutos.

NOTA:

- (1) O tempo previsto para completar a carga rápida pode englobar o tempo possivelmente necessário para completar um ciclo de descarga e o tempo necessário para completar um ciclo de carga rápida.
- (2) As informações de capacidade da bateria podem não ser exibidas em baterias descalibradas.
- (3) A utilização de baterias IMPRES com carregadores de terceiros pode afectar a capacidade e a precisão do tempo de carregamento.
- (4) A utilização de baterias IMPRES descalibradas pode afectar a precisão do tempo de carga.

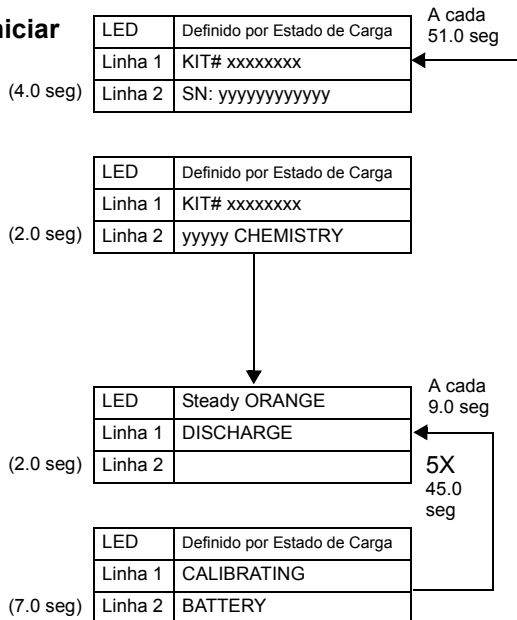
Diagramas Sequenciais de Baterias IMPRES

Sequência do Visor da Bateria de Lões de Lítio IMPRES



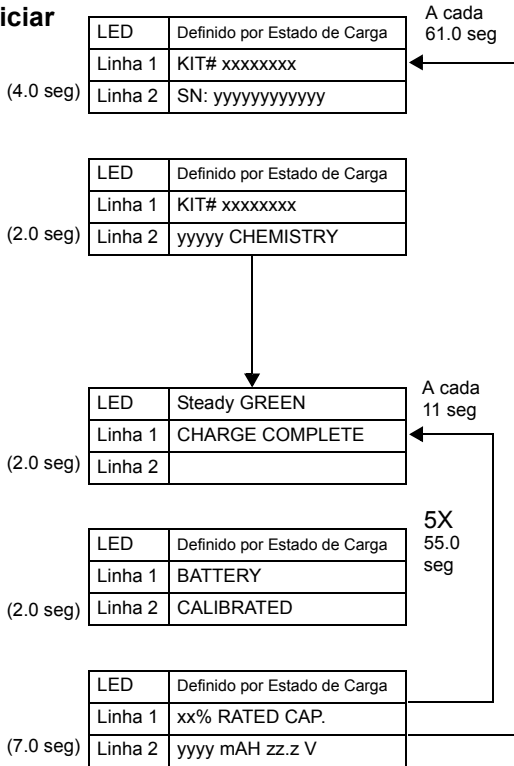
Antes da Calibragem:

Iniciar



Após a Calibragem:

Iniciar



Orientação do Texto do Visor

De forma a permitir a utilização do Carregador Multi-Unidades Adaptável IMPRES na secretária ou na parede, o CDM possui a capacidade de "rodar" o texto do visor em 180 graus.

Para o fazer, insira um clipe grande no furo por baixo do visor perpendicular ao tampo da secretária. Um "estalido" indica que o botão de alternar foi accionado, rodando o texto em 180 graus.

MOTOROLA, MOTO, MOTOROLA SOLUTIONS e o logótipo M Estilizado são marcas comerciais ou marcas comerciais registadas da Motorola Trademark Holdings, LLC e são usadas mediante licença. As restantes marcas comerciais são propriedade dos respectivos proprietários.

© 2007, 2010 – 2012 Motorola Solutions, Inc. Todos os direitos reservados.

INHOUDSOPGAVE

Richtlijnen voor veilig gebruik	4
Bedieningsinstructies	5
Laadprocedure	5
Initialiseren	6
Automatisch reconditioneren	7
Handmatig beëindigen van de reconditioneringsprocedure	7
Handmatig starten van de reconditioneringsprocedure	7
Problemen oplossen	8
Onderhoud	9
Door Motorola goedgekeurde stroomsnoeren	10
Door Motorola goedgekeurde batterijen	11
Beschrijving van functies / voorzieningen van IMPRES	12
Lader met displaymodule (CDM)	13
Algemene informatie op display	13
Procedureschema's voor IMPRES-batterijen	18
Stand van tekst op display	21

BELANGRIJKE VEILIGHEIDSVORSCHRIFTEN BEWAAR DEZE INSTRUCTIES

Dit document bevat belangrijke veiligheidsvoorschriften en instructies voor gebruik. Lees deze instructies aandachtig door en bewaar het document voor toekomstig gebruik.

Lees alle instructies en waarschuwingen op (1) de lader zelf, (2) de batterij en (3) de radio waarin de batterij gebruikt wordt aandachtig door alvorens de lader in gebruik te nemen.



WAARSCHUWING

1. Om het risico van letsel te beperken, mogen alleen door Motorola goedgekeurde oplaadbare batterijen worden opgeladen, zoals vermeld in tabel 4. Andere batterijen kunnen ontploffen en persoonlijk letsel of schade veroorzaken.
2. Gebruik van accessoires die niet zijn aanbevolen door Motorola kan risico van brand, elektrische schokken of persoonlijk letsel veroorzaken.
3. Beperk het risico van beschadiging van de stekker en het stroom snoer door bij het uitschakelen van de lader en verwijderen van het stroom snoer aan de stekker te trekken en nooit aan het stroom snoer zelf.
4. Gebruik geen verlengsnoer tenzij absoluut noodzakelijk. Gebruik van een ongeschikt verlengsnoer veroorzaakt risico van brand en elektrische schokken. Als het gebruik van een verlengsnoer absoluut noodzakelijk is, moet snoermaat 18 AWG worden gebruikt tot maximaal 30,48 m en snoermaat 16 AWG tot maximaal 45,72 m.
5. Beperk het risico van brand, elektrische schokken, of persoonlijk letsel door de lader niet te gebruiken indien deze op enigerlei wijze is gebroken of beschadigd. Breng de lader in dit geval naar een erkend Motorola onderhoudsbedrijf.

WAARSCHUWINGEN (vervolg)



WAARSCHUWING

6. De IMPRES Adaptieve meervoudige lader mag alleen worden gerepareerd door een bevoegd servicemonteur, die door Motorola is goedgekeurd. Bij overtreding van dit voorschrift kan de garantie op het apparaat vervallen.
7. Verwijder de lader altijd eerst uit het stopcontact alvorens onderhoud aan de lader uit te voeren of de lader te reinigen, om het risico van elektrische schokken te beperken.
8. Zekeringen mogen alleen worden vervangen door zekeringen van hetzelfde type en met hetzelfde vermogen als vermeld staat op het etiket van de lader. Gebruik zekeringen van Cooper-Bussman GDC-3.15 of goedgekeurde, soortgelijke zekeringen. De volgende onderdelen kunnen worden besteld bij Motorola Radio Products and Services Division (1-800-422-4210 [VS en Canada] of 1-847-538-8023 [Internationaal]):

Zekering	6571489S01
Stofkap	0987739G01
9. Dit is een product van klasse A. In een huishoudelijke omgeving kan dit apparaat radiostoring veroorzaken; de gebruiker dient zo nodig de benodigde maatregelen te treffen.

RICHTLIJNEN VOOR VEILIG GEBRUIK

- Zet de radio uit wanneer de batterij wordt opgeladen.
- Deze apparatuur is niet geschikt voor gebruik buitenshuis en mag uitsluitend op droge plaatsen / onder droge omstandigheden worden gebruikt.
- Sluit het apparaat uitsluitend aan op een stopcontact met een geschikte zekering en met het juiste voltage (zoals vermeld op het product).
- Ontkoppel het apparaat van lijnspanning door de stekker uit het stopcontact te trekken.
- Het stopcontact waarop het apparaat is aangesloten, dient dichtbij en makkelijk bereikbaar te zijn.
- Voor apparatuur met zekeringen dienen nieuwe zekeringen overeen te komen met het type en toelaatbare vermogen zoals vermeld in de instructies van de apparatuur.
- Maximale omgevingstemperatuur om de lader mag niet hoger zijn dan 40 °C.
- Zorg dat het snoer zodanig is gelegd dat niemand erop kan trappen of erover kan struikelen, en dat het niet kan worden blootgesteld aan water, beschadiging of te strak gespannen wordt.
- Dit apparaat gebruikt dezelfde muursteun als de meervoudige lader NTN4796. Het onderdeelnummer van de muursteun is NLN7967.

BEDIENINGSINSTRUCTIES

Het IMPRES Adaptieve laadsysteem is een volledig geautomatiseerd systeem voor de verzorging van de batterij. De gebruiker hoeft slechts de volgende eenvoudige stappen te volgen:

1. De portofoon / IMPRES-batterij in de lader plaatsen.
2. De portofoon / IMPRES-batterij wanneer deze volledig is geladen (groene lampje brandt), verwijderen.

In de laadvakken van de lader kan ofwel een portofoon met een IMPRES-batterij ofwel alleen een IMPRES-batterij worden geplaatst. **Zet de portofoon uit alvorens een portofoon met IMPRES-batterij op te laden.** Batterijen worden bij kamertemperatuur het beste opgeladen.

Laadprocedure

1. Steek de laderstekker van het stroomsnoer in de daarvoor bestemde ingang aan de achterkant van de lader.
2. Steek de wandstekker van het stroomsnoer in een geschikt stopcontact. Als de opstartprocedure goed verloopt, ziet u een **ENKEL KNIPPEREND GROEN** lampje op de laadindicator.
3. Plaats een IMPRES-batterij, of een portofoon met IMPRES-batterij (**portofoon uitgeschakeld**), als volgt in het laadvak:
 - a. Zet de groef aan elke kant van de batterij parallel met de opstaande rand aan beide zijden van het laadvak.
 - b. Duw de batterij tegen de achterkant van het laadvak.
 - c. Schuif de batterij in het laadvak, waarbij u erop moet letten dat de lader en de batterijcontacten goed contact maken.
4. Gebruik twee handen om de portofoon of IMPRES-batterij uit het laadvak te verwijderen; één hand om de lader vast te houden en de andere hand om de portofoon of batterij uit het laadvak te tillen.

Als de IMPRES-batterij goed in het laadvak is geplaatst, gaat de laadindicator branden om aan te geven dat de lader een batterij in het laadvak heeft geregistreerd. Zie tabel 1 voor de betekenis van de lampjes.

Tabel 1: Laadindicatoren van IMPRES-batterij

Laadindicator	Betekenis
<i>Groen lampje knippert één keer</i>	Opstartprocedure van lader is met succes voltooid.
<i>Constant brandend rood</i>	Batterij werkt in snellaadmodus.
<i>Groen knipperend</i>	Snellaadprocedure is voltooid (>90 % beschikbare capaciteit). Batterij is nu in afrondingsmodus (druppellading).
<i>Constant brandend groen</i>	Opladen is voltooid en de batterij is volledig geladen.
<i>Oranje knipperend</i>	Lader heeft batterij geregistreerd maar wacht op opladen. (De spanning van de batterij is te laag, of de temperatuur van de batterij is te laag of te hoog om geladen te kunnen worden. De batterij wordt opgeladen zodra deze toestand is gecorrigeerd.)
<i>Knipperend rood</i>	Batterij kan niet worden opgeladen of maakt niet goed contact met de lader.
<i>Constant brandend oranje</i>	(Deze functie is uitsluitend voor IMPRES-batterijen) Batterij is in reconditioneringsmodus of wordt geïnitieerd. Hoe lang de batterij in deze modus blijft, is afhankelijk van de lading van de batterij op het moment dat deze in de lader werd geplaatst. (Bij volledig geladen batterijen duurt het reconditioneren langer, 8 tot 12 uur of meer, dan bij batterijen die helemaal leeg zijn.)
<i>Rood / groen knipperend</i>	(Deze functie is uitsluitend voor IMPRES-batterijen) Opladen is voltooid en batterij is volledig geladen. Hoewel de batterij nog kan worden gebruikt, moet deze waarschijnlijk binnenkort worden vervangen.

INITIALISEREN

De functies van de Motorola IMPRES-batterijen en het adaptieve laadsysteem kunnen alleen volledig werken als de gegevens in de Motorola IMPRES-batterijen bij de eerste lading in de lader worden geïnitieerd. Deze procedure wordt aangegeven met een **CONSTANT BRANDEND ORANJE** lampje op de laadindicator (dezelfde indicatie als

wanneer de batterij wordt gereconditioneerd). Deze procedure, die geheel automatisch is, omvat tevens een eerste reconditionering van de batterij. Na voltooiing hiervan wordt de batterij geladen. Het initialiseren neemt enige tijd in beslag en de batterij dient daarom circa 12 uur in de lader te blijven staan om deze procedure te voltooien. De batterij mag pas uit de lader worden gehaald wanneer het **GROENE LAMPJE CONSTANT** brandt.

AUTOMATISCH RECONDITIONEREN

Indien gebruikt in combinatie met een IMPRES-batterij van Motorola, kan de IMPRES Adaptieve lader van Motorola bepalen wanneer het nodig is de batterij te reconditioneren (nodig om problemen met het geheugen van IMPRES-batterijen op te lossen).

Als een IMPRES-batterij goed in de lader is geplaatst, zal de lader bepalen of de batterij gereconditioneerd moet worden. Als de batterij moet worden gereconditioneerd, verschijnt er automatisch een **CONSTANT BRANDEND ORANJE** lampje op de laadindicator. Deze procedure kan maximaal 12 uur duren, afhankelijk van de lading en het vermogen van de batterij wanneer deze in de lader wordt geplaatst.

Voor effectieve werking van deze functie is het belangrijk dat de procedure voor reconditioneren en opladen van de IMPRES-batterij geheel wordt afgerond. Laat de batterij in de lader staan totdat er een **CONSTANT BRANDEND GROEN** lampje op de laadindicator verschijnt.

Als de reconditionering is voltooid, wordt de IMPRES-batterij automatisch opgeladen.

Handmatig beëindigen van de reconditioneringsprocedure

Op elk gewenst moment tijdens de reconditionering van een Motorola IMPRES-batterij (**CONSTANT BRANDEND ORANJE** lampje), kan de reconditionering worden afgebroken door de batterij uit de lader te verwijderen en binnen 5 seconden weer in de lader te plaatsen. Hierdoor zal de lader de reconditionering beëindigen en beginnen met het opladen van de batterij. De laadindicator verandert in een **CONSTANT BRANDEND ROOD** lampje. De volgende keer dat de batterij in de lader wordt geplaatst, zal de lader proberen deze te reconditioneren.

Handmatig starten van de reconditioneringsprocedure

Binnen 2½ minuut nadat een IMPRES-batterij voor het eerst in de lader is geplaatst (**CONSTANT BRANDEND ROOD** lampje), verwijdert u de

batterij en plaatst u deze binnen 5 seconden weer in de lader om handmatige reconditionering te starten. De laadindicator verandert van een **CONSTANT BRANDEND ROOD** lampje in een **CONSTANT BRANDEND ORANJE** lampje. De lader zal de batterij eerst reconditioneren en vervolgens automatisch opladen. Deze functie komt bijvoorbeeld van pas wanneer IMPRES-batterijen enkele maanden of langer waren opgeslagen. Wanneer de batterij lange tijd was opgeslagen, kunnen twee of drie handmatige cycli nodig zijn om batterijen volledig te reconditioneren.

PROBLEMEN OPLOSSEN

Let bij problemen altijd op de kleur van het lampje.

Tabel 2: Problemen en oplossingen

Probleem	Verklaring	Oplossing
Geen laadindicator	<p>1a. Geen contact met de lader.</p> <p>1b. Geen stroom naar de lader.</p>	<p>1a. Controleer of de radio met batterij of de losse batterij goed in de lader is geplaatst.</p> <p>1b. <ul style="list-style-type: none"> • Controleer of de stroomkabel goed is aangesloten op de lader en dat een geschikt stopcontact wordt gebruikt, en dat er stroom staat op het stopcontact. • Vervang de zekering(en). </p>
Knipperend rood lampje	<p>2a. Geen contact met de lader.</p> <p>2b. Batterij kan niet worden geladen.</p>	<p>2a. <ul style="list-style-type: none"> • Verwijder de batterij uit de lader en plaats deze dan weer in de lader. • Controleer of de batterij tot de door Motorola goedgekeurde batterijen behoort, zoals vermeld in tabel 4. Andere batterijen kunnen veelal niet worden geladen. • Verwijder de stroomaansluiting van de lader en reinig de goudmetalen laadcontacten op de batterij en de lader met een schone droge doek. </p> <p>2b. Vervang de batterij.</p>

Tabel 2: Problemen en oplossingen

Probleem	Verklaring	Oplossing
Knipperend oranje lampje	3. Batterij wacht om te worden geladen. De temperatuur van de batterij is misschien lager dan 5 °C of hoger dan 40 °C, of de spanning van de batterij is lager dan de vooringestelde drempelwaarde voor snelladen.	3. Zodra deze toestand is gecorrigeerd, begint de lader met het opladen van de batterij.

ONDERHOUD

De IMPRES Adaptieve meervoudige lader mag alleen worden gerepareerd door een bevoegd servicemonteur, die door Motorola is goedgekeurd. Bij overtreding van dit voorschrift zal de garantie op het apparaat vervallen. Raadpleeg de onderhoudshandleiding van de lader, 6871357L01, voor meer informatie over het onderhoud van de meervoudige lader en de lader met displaymodule.

Voor onderhoud (VS) kunt u contact opnemen met het volgende depot. Bel het depot en spreek een retourdatum met hen af alvorens de eenheid op te sturen.

Motorola Service Center

2200 Galvin Drive
Elgin, IL 60123
1-800-422-4210 (VS & Canada)
1-847-538-8023 (International)

Voor onderhoud (EMEA) kunt u contact opnemen met het volgende depot. Bel het depot en spreek een retourdatum met hen af alvorens de eenheid op te sturen.

Motorola Service Center

Motorola GmbH
Customer Care
Am Borsigturm 130
13507 Berlijn
Duitsland.

Tel: +49 30 6686 1555

DOOR MOTOROLA GOEDGEKEURDE STROOMSNOEREN

Deze lader is bedoeld voor gebruik in toepassingen van 100 volt wisselstroom tot 240 volt wisselstroom, 50 / 60 Hz, en kan worden gebruikt met de volgende stroomsnoeren van Motorola.

Tabel 3: Stroomsnoeren van Motorola

Stekkertype	Lader-kit	Lader-kit (Model met display)	Stroomkabel
Geen stroomkabel / stekker	WPLN4211/B	WPLN4218/B	Geen
VS	WPLN4212/B	WPLN4219/B	3087791G01
Euro	WPLN4213/B	WPLN4220/B	3087791G04
U.K.	WPLN4214/B	WPLN4221/B	3087791G07
Australië / Nieuw Zeeland	WPLN4215/B	WPLN4222/B	3087791G10
Argentinië	WPLN4216/B	WPLN4223/B	3087791G13
Korea	WPLN4217/B	WPLN4224/B	3087791G16
EMEA Hybrid	WPLN4237/B	WPLN4238/B	3087791G01
VS / NOORD-AMERIKA 1-UP	Geen	WPLN4239/B	3087791G01
Japan	PMLN5256/B	Geen	Geen
Brazil	WPLN4277/B	WPLN4278/B	3087791G22

DOOR MOTOROLA GOEDGEKEURDE BATTERIJEN

De onderstaande tabel vermeldt alle batterijen die kunnen worden gebruikt met de specifieke portofoons zoals vermeld boven aan de tabel.

Tabel 4: Standaard en IMPRES-batterijen voor professionele digitale portofoons

Kit (PN)	Chemicaliën	FM	IMPRES
PMNN4065	NiMH	Nee	Nee
PMNN4066	Li-Ion	Nee	Ja
PMNN4069	Li-Ion	Ja	Ja
PMNN4077	Li-Ion	Nee	Ja
PMNN4101	Li-Ion	Nee	Ja
PMNN4102	Li-Ion	Ja	Ja
PMNN4103	Li-Ion	Nee	Ja
PMNN4104	NiMH	Nee	Nee
PMNN4406	Li-Ion	Nee	Nee
PMNN4407	Li-Ion	Nee	Ja
PMNN4409	Li-Ion	Nee	Ja
PMNN4412	NiMH	Nee	Nee
PMNN4415	NiMH	Nee	Nee
PMNN4416	Li-Ion	Nee	Nee
PMNN4417	Li-Ion	Nee	Ja
PMNN4418	Li-Ion	Nee	Ja
PMNN4424	Li-Ion	Nee	Ja
NNTN8128	Li-Ion	Nee	Ja
NNTN8129	Li-Ion	Ja	Ja
NNTN8305	Li-Ion	Nee	Ja

OPMERKING:

de NNTN8305-batterij is alleen compatibel met MUC Revisie B of hoger.

**Tabel 5. Standaard- en IMPRES-accu's voor MOTOTRBO-radio's
(XPR 7550 Ex, DP 4801 Ex, DP 4401 Ex, XiR P8668 Ex, XiR P8608 Ex, DGP 8550 Ex,
DGP 8050 Ex)**

Kit (PN)	Chemicaliën	FM	IMPRES
NNTN8359	Li-ion	Nee; ATEX	Ja

Opmerking: Als het laadindicatorlampje van de oplader consistent een defecte accu aangeeft of afwijkt van de lampjes in Tabel 1, mag de accu niet meer in de gevaarlijke omgeving worden gebruikt.

BESCHRIJVING VAN FUNCTIES / VOORZIENINGEN VAN IMPRES

De IMPRES-lader is een geavanceerd energiesysteem op basis van drie chemicaliën dat is ontwikkeld door Motorola, en bevat het volgende: (a) IMPRES-batterijen, (b) de IMPRES Adaptieve meervoudige lader, en (c) portofoonhardware / -software voor communicatie tussen IMPRES-compatibele portofoons en IMPRES-batterijen.

Indien gebruikt met IMPRES-batterijen van Motorola, biedt de Adaptieve meervoudige lader van IMPRES het volgende:

1. Optimale werkingsduur tussen ladingscycli door automatisch het geheugeneffect te elimineren.
2. Optimale levensduur van de batterij door de warmte tijdens de druppel- en naladingscycli aanzienlijk te verminderen.
3. De noodzaak tot het kopen van reconditioneringsapparatuur en het opleiden van personeel voor beheer van de onderhoudstaken voor batterijen komt hierbij geheel te vervallen.

Met dit unieke gepatenteerde systeem hoeft het gebruik van de IMPRES-batterij niet meer te worden bijgehouden en geregistreerd, zijn handmatige reconditioneringscycli overbodig en hoeven batterijen niet meer uit de laders te worden verwijderd als ze zijn opgeladen.

De IMPRES Adaptieve meervoudige lader volgt het gebruikspatroon van de IMPRES-batterij, slaat deze gegevens op in het geheugen van de IMPRES-batterij en voert alleen wanneer nodig een reconditioneringscyclus uit.

De batterij raakt nooit oververhit in de IMPRES Adaptieve meervoudige lader, ongeacht hoe lang de batterij in het laadvak staat. De lader controleert de batterij en laadt de batterij automatisch bij wanneer noodzakelijk.

LADER MET DISPLAYMODULE (CDM)

De IMPRES Adaptieve meervoudige lader kan worden uitgebreid met een laderdisplaymodule (CDM). Bestel en installeer Motorola-onderdeelnr. RLN5382.

Algemene informatie op display

De IMPRES Adaptieve meervoudige lader met CDM geeft de gebruiker waardevolle informatie tijdens het onderhouden en verzorgen van de batterij. De onderstaande tabellen geven een overzicht van de informatie op het laderdisplay en de betekenis van de lampjes.

Opstarten

Wanneer de lader wordt ingeschakeld

Lampje	ENKEL KNIPPEREND GROEN
Regel 1	IMPRES
Regel 2	

Geen batterij in laadvak

Lampje	UIT
Regel 1	NO BATTERY (GEEN BATTERIJ)
Regel 2	

Batterijgegevens worden gelezen

Lampje	Een van de specifieke aanduidingen
Regel 1	READING (BEZIG MET LEZEN VAN)
Regel 2	BATTERY DATA (BATTERIJGEGEVENS)

Niet-IMPRES batterij in laadvak

Lampje	Afhankelijk van laadstatus
Regel 1	NON-IMPRES (NIET-IMPRES)
Regel 2	BATTERY (BATTERIJ)

IMPRES-batterij in laadvak

IMPRES en softwareversies worden weergegeven

Lampje	Afhankelijk van laadstatus
Regel 1	IMPRES
Regel 2	SW xx.yy; aa.bb

OPMERKING:

xx.yy geeft de softwareversie van de lader aan, en aa.bb de softwareversie van de CDM.

IMPRES-batterijpakketnr. en serienr. worden weergegeven. (Elke IMPRES-batterij heeft een uniek serienummer, voor eenvoudige identificatie)

Lampje	Afhankelijk van laadstatus
Regel 1	Kitnr. -----
Regel 2	Serienr: -----

IMPRES-batterijkit # en Chemistry worden weergegeven

Lampje	Afhankelijk van laadstatus
Regel 1	KIT# ----- (KIT#-----)
Regel 2	----CHEMISTRY (----CHEMISTRY)

Verwacht aantal cycli voor automatische reconditionering

Lampje	Afhankelijk van laadstatus
Regel 1	----CYCLES (----CYCLI)
Regel 2	TO RECONDITION (TOT RECONDITIONEREN)

* Wordt alleen weergegeven wanneer reconditionering in minder dan zes cycli verwacht wordt.

Lader wacht met laden, batterij is koud

Lampje	Knipperend ORANJE
Regel 1	WAITING TO CHG (WACHT MET LADEN)
Regel 2	COLD BATTERY (KOUDE BATTERIJ)

Lader wacht met laden, lage spanning

Lampje	Knipperend ORANJE
Regel 1	WAITING TO CHG (WACHT MET LADEN)
Regel 2	LOW VOLTAGE (LAGE SPANNING)

OPMERKING:

Niet alle hierboven genoemde schermen zullen worden weergegeven. Lader wacht met laden (hete batterij, koude batterij, lage spanning) wordt bijvoorbeeld alleen weergegeven wanneer dit nodig is.

Lader staat in snellaadmodus

Lampje	Constant brandend ROOD
Regel 1	RAPID CHARGE (SNELLADING)
Regel 2	

Lader in druppellaadmodus

Lampje	Knipperend GROEN
Regel 1	TRICKLE CHARGE (DRUPPELLADING)
Regel 2	

Laden voltooid

Lampje	Constant brandend GROEN of knipperend ROOD / GROEN
Regel 1	CHARGE COMPLETE (LADEN VOLTOOID)
Regel 2	

Lader in ontlad- / reconditioneringsmodus

Lampje	Constant brandend ORANJE
Regel 1	DISCHARGE (ONTLADEN)
Regel 2	

Lader kalibreert een IMPRES-batterij

Lampje	Constant brandend ORANJE, constant brandend ROOD en knipperend ORANJE of GROEN
Regel 1	Calibrating (Bezig met kalibreren)
Regel 2	Battery (van batterij)

Lampje	Constant brandend GROEN
Regel 1	Battery (Batterij)
Regel 2	Calibrated (gekalibreerd)

** Alle IMPRES-batterijen moeten worden gekalibreerd alvorens u ze voor het eerst in gebruik neemt. Een IMPRES-lader zal voor alle nieuwe batterijen automatisch een kalibratie starten.*

Gegevens over de batterijcapaciteit worden weergegeven als “%” in mAH, en alleen bij IMPRES-batterijen ook voltage

LAMPJE	Afhankelijk van laadstatus
Regel 1	----% NOMINALE CAP.
Regel 2	----mAH --.-V

Geschatte capaciteit na het laden, alleen IMPRES-batterij

LAMPJE	Afhankelijk van laadstatus
Regel 1	EST CAP AFTER (GESCHATTE CAP. NA)
Regel 2	CHARGE xx% (LADING xx%)

OPMERKING:

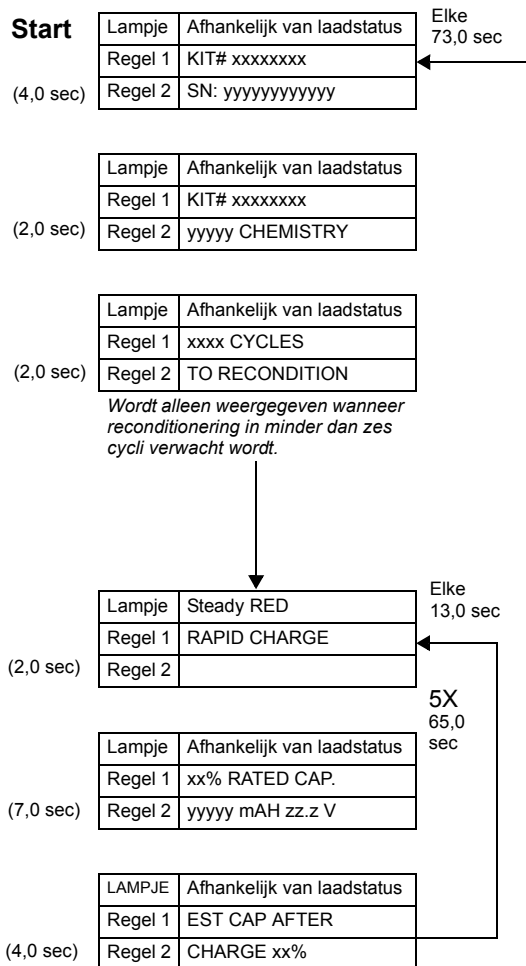
Wanneer een volledig opgeladen IMPRES-batterij onmiddellijk in een ander laadvak wordt geplaatst, wordt in eerste instantie wellicht een iets lagere capaciteit weergegeven omdat het laadvak ervan uitgaat dat er sinds de vorige lading een kleine hoeveelheid lading verloren is gegaan. De lader corrigeert deze afwijking wanneer de batterij in het nieuwe vak volledig is opgeladen, doorgaans binnen een paar minuten.

OPMERKING:

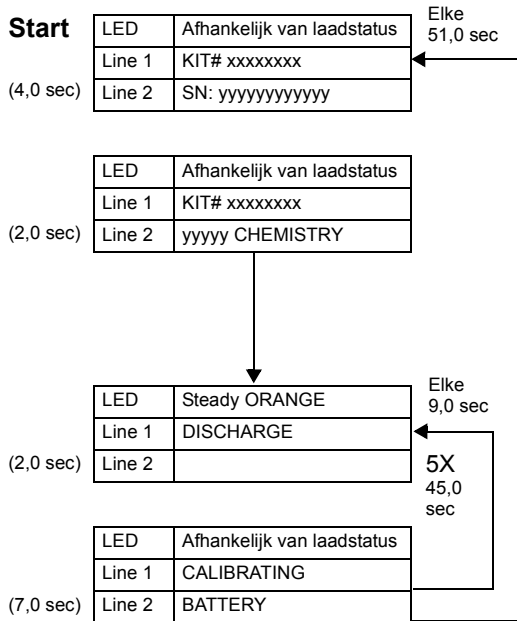
- (1) De geschatte tijd tot voltooiing van de snellading omvat wellicht ook de resterende tijd voor het voltooiën van een ontlaadcycluis en een snellaadcycluis.
- (2) Voor niet-gekalibreerde batterijen wordt mogelijk geen informatie over batterijcapaciteit weergegeven.
- (3) Het gebruik van IMPRES-batterijen in combinatie met laders anders dan IMPRES-laders kan een negatieve invloed hebben op de capaciteit en nauwkeurigheid van de laadduur.
- (4) Het gebruik van niet-gekalibreerde IMPRES-batterijpakketten kan de nauwkeurigheid van de laadduur negatief beïnvloeden.

Procedureschema's voor IMPRES-batterijen

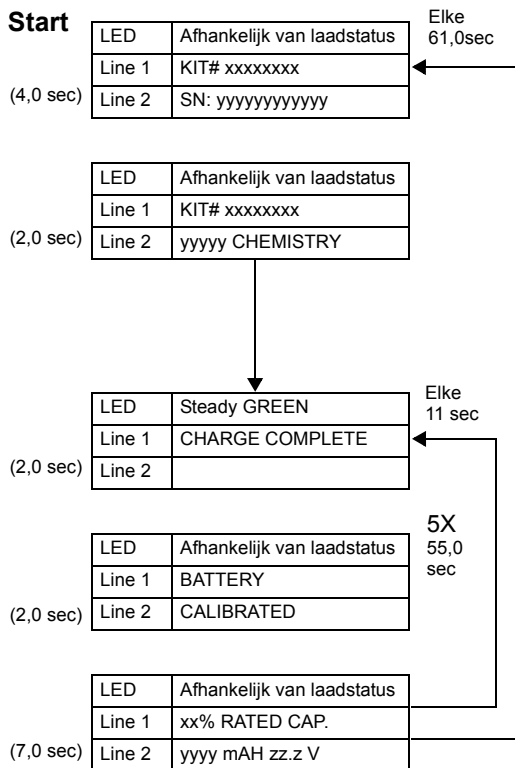
Volgorde van weergave bij IMPRES Li-Ionbatterij



Voor kalibratie:



Na kalibratie:



Stand van tekst op display

Omdat de IMPRES Adaptieve meervoudige lader soms op een bureau of aan de muur bevestigd moet worden, kan de tekst op het display ondersteboven worden weergegeven.

Om dit te doen steekt u een grote paperclip in het gaatje onder het display, loodrecht naar het bureaublad gericht. Een klik geeft aan dat de schakelaar geactiveerd is en de tekst 180 graden gedraaid wordt.

СОДЕРЖАНИЕ

Техника безопасности при эксплуатации	3
Инструкции по эксплуатации	4
Процедура зарядки.....	4
Инициализация	6
Автоматическое рекондиционирование.....	6
Ручное прерывание рекондиционирования	7
Ручное включение рекондиционирования.....	7
Устранение неисправностей.....	7
Сервисное обслуживание	9
Шнуры питания, одобренные компанией Motorola.....	10
Аккумуляторы, одобренные компанией Motorola	11
Описание особенностей, функций и преимуществ системы IMPRES.....	12
МОДУЛЬ ДИСПЛЕЯ ДЛЯ ЗАРЯДНОГО УСТРОЙСТВА	
(CDM)	13
Общие сведения о дисплее	13
Диаграммы последовательности для аккумуляторов IMPRES	18
Ориентация текста на дисплее	20

ВАЖНЫЕ ИНСТРУКЦИИ ПО ТЕХНИКЕ БЕЗОПАСНОСТИ СОХРАНИТЕ ЭТИ ИНСТРУКЦИИ В НАДЕЖНОМ МЕСТЕ

В данном документе содержатся важные инструкции по технике безопасности и эксплуатации. Внимательно прочтите эти инструкции и сохраните их для дальнейшего использования.

Перед тем как приступить к использованию зарядного устройства прочтите все инструкции и инструкции по технике безопасности, прочтите всю информацию на (1) самом устройстве; (2) аккумуляторе; (3) радиостанции, в которой используется аккумулятор.



Предупреждение

1. Во избежание травм используйте данное зарядное устройство только для зарядки аккумуляторов, одобренных компанией Motorola и указанных в табл. 4. Другие аккумуляторы могут взорваться с причинением травм и иного ущерба.
2. Использование аксессуаров, не рекомендованных компанией Motorola, может привести к пожару, поражению электротоком или травмам.
3. Для уменьшения опасности повреждений штекера и шнура при отсоединении зарядного устройства беритесь за штекер, а не за шнур.
4. Удлинительный шнур можно использовать только в случае крайней необходимости. Использование неподходящего удлинительного шнура может привести к возникновению опасности пожара и поражения электротоком. Если необходимо использовать удлинительный шнур, обеспечьте использование шнура 18 AWG, если длина шнура не превышает 30,48 метра и 16 AWG, если длина шнура не превышает 45,72 метра.
5. Для уменьшения опасности пожара, поражения электротоком и получения травм не используйте сломанное или даже слегка поврежденное зарядное устройство. Обратитесь в представителю компании Motorola для ремонта зарядного устройства
6. Ремонт адаптивного многоместного зарядного устройства IMPRES должен осуществляться только квалифицированными специалистами по сервисному обслуживанию, уполномоченными компанией Motorola. Любое нарушение этого правила может привести к аннулированию гарантии на устройство.

ПРЕДУПРЕЖДЕНИЯ (продолжение)



7. Для снижения опасности поражения электротоком выньте вилку шнура питания зарядного устройства из сетевой розетки перед выполнением какого-либо обслуживания или чистки.

Предупрежд 8. При замене предохранителей используйте только предохранители, тип и номинал которых указаны в табличке на зарядном устройстве. Используйте только предохранители Cooper-Bussmann GDC-3.15 или одобренные для использования аналоги. В Отделении радиотехнических изделий и услуг компании Motorola (тел.: 1-800-422-4210 для звонков из США и Канады, 1-847-538-8023 для звонков из других стран) можно заказать следующие изделия:

Предохранитель 6571489S01
Крышка 0987739G01

9. Это изделие класса А. В бытовых условиях данное изделие может создавать радиопомехи, и от пользователя может требоваться принятие соответствующих мер.

ТЕХНИКА БЕЗОПАСНОСТИ ПРИ ЭКСПЛУАТАЦИИ

- При зарядке аккумуляторов выключите радиостанцию.
- Данное оборудование непригодно для эксплуатации вне помещений. Использовать только в условиях низкой влажности.
- Подсоединяйте оборудование только к источнику питания с соответствующим напряжением (указанным на изделии) и оснащенным всеми необходимыми предохранителями и правильно выполненной проводкой/электромонтажом.
- Отсоедините от источника питания – выньте вилку шнура питания из сетевой розетки.
- Сетевая розетка, в которой подключается данное оборудование, должна находиться поблизости и быть легко доступной.
- Если в оборудовании имеются предохранители, сменные предохранители должны относиться к типу и иметь номиналы, указанные в инструкциях к этому оборудованию.
- Окружающая температура в месте установки зарядного устройства не должна превышать 40 °С.
- Расположите шнур так, чтобы на него нельзя было наступить/споткнуться, чтобы на него не попадала вода и чтобы он не подвергался повреждающему воздействию или силам.
- С этим зарядным устройством используется то же настенное крепление, что и с многоместным зарядным устройством NTN4796. Настенное крепление имеет номер по каталогу NLN7967.

ИНСТРУКЦИИ ПО ЭКСПЛУАТАЦИИ

Адаптивное зарядное устройство IMPRES является полностью автоматизированным устройством для обслуживания аккумуляторов. Пользователю необходимо выполнить лишь следующие простые действия:

1. Установите радиостанцию / аккумулятор IMPRES в зарядное устройство.
2. Выньте радиостанцию / аккумулятор IMPRES после полной зарядки (когда сигнал светодиодного индикатора сменится на непрерывный **ЗЕЛЕНЫЙ**).

В гнезда зарядного устройства можно устанавливать как сам аккумулятор IMPRES, так и радиостанцию с аккумулятором IMPRES. **Перед зарядкой аккумулятора IMPRES без отсоединения от радиостанции выключите радиостанцию.** Зарядку аккумуляторов лучше выполнять при комнатной температуре.

Процедура зарядки

1. Вставьте штекер шнура питания в гнездо на задней стороне зарядного устройства.
2. Вставьте вилку шнура питания в сетевую розетку. На успешное включение питания указывает **ОДИНОЧНАЯ ЗЕЛЕНАЯ ВСПЫШКА** индикатора зарядного устройства.
3. Вставьте аккумулятор IMPRES или радиостанцию (**выключенную**) с аккумулятором IMPRES в гнездо зарядного устройства. Для этого:
 - a. Совместите канавки на каждой из боковых стенок аккумулятора с соответствующими выступающими направляющими ребрами гнезда зарядного устройства.
 - b. Задвиньте аккумулятор внутрь гнезда по направляющим.
 - c. Для извлечения радиостанции или аккумулятора IMPRES из зарядного устройства возьмитесь одной рукой за зарядное устройство, другой - за радиостанцию (аккумулятор) и выньте радиостанцию (аккумулятор) из гнезда.
4. Для извлечения радиостанции или аккумулятора IMPRES из зарядного устройства возьмитесь одной рукой за зарядное устройство, другой - за радиостанцию (аккумулятор) и выньте радиостанцию (аккумулятор) из гнезда.

Как только аккумулятор IMPRES полностью сядет в гнездо, индикатор зарядного устройства загорится, подтверждая распознавание аккумулятора зарядным устройством. См. сигналы индикатора в табл. 1.

Таблица 1. Сигналы индикатора зарядного устройства IMPRES

Индикатор зарядного устройства	Что это означает
<i>Одиночная зеленая вспышка</i>	<i>Успешное запитывание зарядного устройства.</i>
<i>Непрерывный красный</i>	<i>Аккумулятор находится в режиме быстрой зарядки.</i>
<i>Мигающий зеленый</i>	<i>Быстрая зарядка аккумулятора завершена (>90 % емкости аккумулятора заряжено). Идет дозарядка аккумулятора малым током.</i>
<i>Непрерывный зеленый</i>	<i>Зарядка аккумулятора завершена. Аккумулятор полностью заряжен.</i>
<i>Мигающий оранжевый</i>	<i>Аккумулятор распознан зарядным устройством и ожидает начала зарядки. (Либо напряжение аккумулятора слишком низко, либо его температура слишком низка или высока для зарядки. Зарядка аккумулятора начнется автоматически, когда напряжение или температура возрастут.)</i>
<i>Мигающий красный</i>	<i>Зарядка аккумулятора невозможна, или отсутствует контакт между аккумулятором и зарядным устройством.</i>
<i>Непрерывный оранжевый</i>	<i>(Применимо только к аккумуляторам IMPRES) Аккумулятор находится в режиме рекондиционирования или инициализации. Длительность этого режима зависит от начального заряда аккумулятора при установке в зарядное устройство. (Рекондиционирование полностью заряженных аккумуляторов занимает больше времени (8 - 12 часов и более), чем рекондиционирование полностью разряженных аккумуляторов.)</i>
<i>Непрерывный красный</i>	<i>Аккумулятор находится в режиме быстрой зарядки.</i>

ИНИЦИАЛИЗАЦИЯ

Чтобы полностью использовать возможности и функции аккумуляторов Motorola IMPRES и адаптивного зарядного устройства, зарядное устройство должно при первой зарядке аккумулятора инициализировать данные, хранящиеся в каждом аккумуляторе Motorola IMPRES. На то, что этот процесс идет, указывает **НЕПРЕРЫВНЫЙ ОРАНЖЕВЫЙ** сигнал индикатора зарядного устройства (такой же, как при рекондиционировании). Инициализация происходит автоматически и включает начальное рекондиционирование. По завершении этого процесса начинается зарядка аккумулятора. На инициализацию аккумулятора требуется время, поэтому для ее завершения аккумулятор следует оставить в зарядном устройстве приблизительно на 12 часов. Не вынимайте аккумулятор из зарядного устройства до появления **НЕПРЕРЫВНОГО ЗЕЛЕННОГО** сигнала.

АВТОМАТИЧЕСКОЕ РЕКОНДИЦИОНИРОВАНИЕ

При зарядке аккумуляторов Motorola IMPRES в адаптивном зарядном устройстве Motorola IMPRES устройство само определяет, когда необходимо рекондиционировать аккумулятор (во избежание проблем, связанных с функционированием памяти аккумуляторов IMPRES).

При надлежащей установке аккумулятора IMPRES в зарядное устройство последнее определяет, требуется ли аккумулятору рекондиционирование. Если аккумулятор нуждается в рекондиционировании, то на зарядном устройстве автоматически включается **НЕПРЕРЫВНЫЙ ОРАНЖЕВЫЙ** сигнал. Рекондиционирование может занять до 12 часов в зависимости от степени заряженности и емкости аккумулятора.

Важно отметить, что для обеспечения эффективности этого процесса зарядному устройству необходимо дать возможность полностью завершить рекондиционирование/зарядку аккумулятора IMPRES. Оставьте аккумулятор в зарядном устройстве до тех пор, пока на зарядном устройстве не появится **НЕПРЕРЫВНЫЙ ЗЕЛЕНЫЙ** сигнал.

По завершении цикла рекондиционирования зарядное устройство автоматически зарядит аккумулятор IMPRES.

Ручное прерывание рекондиционирования

Чтобы прервать рекондиционирование аккумулятора Motorola IMPRES (в этом режиме горит **НЕПРЕРЫВНЫЙ ОРАНЖЕВЫЙ** сигнал), достаточно в любой момент вынуть аккумулятор и в течение 5 секунд снова вставить его в зарядное устройство. В этом случае зарядное устройство прервет процесс рекондиционирования и начнет процесс зарядки. Сигнал индикатора зарядного устройства сменится на **НЕПРЕРЫВНЫЙ КРАСНЫЙ**. При следующей установке аккумулятора в зарядное устройство рекондиционирование начнется снова.

Ручное включение рекондиционирования

Чтобы принудительно включить рекондиционирование вручную, выньте аккумулятор IMPRES в течение 2,5 минут с момента его первоначальной установки в зарядное устройство, затем в течение 5 секунд снова вставьте его в зарядное устройство. Сигнал индикатора зарядного устройства сменится с **НЕПРЕРЫВНОГО КРАСНОГО** на **НЕПРЕРЫВНЫЙ ОРАНЖЕВЫЙ**. При этом принудительно включится рекондиционирование с последующей автоматической зарядкой аккумулятора. Эта функция полезна, если аккумулятором IMPRES в течение нескольких месяцев не пользовались. Для приведения аккумулятора в рабочее состояние после длительного хранения могут потребоваться два или три цикла принудительного рекондиционирования.

УСТРАНЕНИЕ НЕИСПРАВНОСТЕЙ

При устранении неисправностей обязательно обращайтесь внимание на цвет светодиодного индикатора.

Таблица 2. Устранение неисправностей

Проблема	Что это означает...	Действия по устранению
<i>Индикатор зарядного устройства а не горит</i>	1а. Нет контакта между аккумулятором и контактами зарядного устройства. 1б. • Зарядное устройство не запрашивается.	1а. Убедитесь, что радиостанция или аккумулятор правильно вставлен в гнездо зарядного устройства. 1б. • Надежно вставьте штекер шнура питания в гнездо зарядного устройства, а вилку – в сетевую розетку, убедитесь в наличии напряжения в розетке. • Замените предохранитель(и).

Таблица 2. Устранение неисправностей

Проблема	Что это означает...	Действия по устранению
<i>Мигающий красный индикатор</i>	<p>2а. Радиостанция/аккумулятор не контактирует с зарядным устройством.</p> <p>2б. Аккумулятор зарядить нельзя.</p>	<p>2а. Выньте и снова вставьте аккумулятор в зарядное устройство.</p> <ul style="list-style-type: none"> • Убедитесь, что используется одобренный компанией Motorola аккумулятор, указанный в табл. 4. Для других аккумуляторов это зарядное устройство может оказаться непригодным. • Отключите питание от зарядного устройства и при помощи сухой чистой ткани протрите металлические "золотые" контакты аккумулятора и зарядного устройства. <p>2б. Замените аккумулятор.</p>
<i>Индикатор мигает оранжевым</i>	<p>3. Аккумулятор ожидает начала зарядки. Возможно, температура аккумулятора ниже 5 °С или выше 40 °С или же его напряжение ниже порогового значения, которого оно должно достигнуть прежде чем начнется быстрая зарядка.</p>	<p>3. Зарядка аккумулятора начнется, когда напряжение или температура придет в норму.</p>

СЕРВИСНОЕ ОБСЛУЖИВАНИЕ

Ремонт адаптивного многоместного зарядного устройства IMPRES должен осуществляться только квалифицированными специалистами по сервисному обслуживанию, уполномоченными компанией Motorola. Любое нарушение этого правила ведет к аннулированию гарантии на устройство. Подробнее о сервисном обслуживании многоместного зарядного устройства и модуля дисплея зарядного устройства см. в Руководстве по обслуживанию зарядного устройства (6871357L01).

По вопросам сервисного обслуживания в США обращайтесь в сервисный центр компании Motorola по адресу, указанному ниже. Прежде чем посылать устройство в центр на обслуживание, пожалуйста, позвоните и подтвердите условия возврата.

Motorola Service Center

2200 Galvin Drive

Elgin, IL 60123

1-800-422-4210 (для звонков из США и Канады)

1-847-538-8023 (для звонков из других стран)

По вопросам сервисного обслуживания в Европе, на Ближнем Востоке и в Африке обращайтесь в сервисный центр компании Motorola по адресу, указанному ниже. Прежде чем посылать устройство в центр на обслуживание, пожалуйста, позвоните и подтвердите условия возврата.

Motorola Service Center

Motorola GmbH

Customer Care

Am Borsigturm 130

13507 Berlin

Germany (Германия)

Тел.: +49 30 6686 1555

ШНУРЫ ПИТАНИЯ, ОДОБРЕННЫЕ КОМПАНИЕЙ MOTOROLA

Данное зарядное устройство рассчитано на питание от источника переменного тока 100 - 240 В, 50/60 Гц и одобрено для использования со следующими шнурами питания Motorola.

Таблица 3. Шнуры питания Motorola

Тип вилки	Комплект зарядного устройства	Комплект зарядного устройства (Модель с дисплеем)	Шнур питания
<i>Без шнура питания/вилки</i>	<i>WPLN4211/B</i>	<i>WPLN4218/B</i>	<i>Нет</i>
<i>США</i>	<i>WPLN4212/B</i>	<i>WPLN4219/B</i>	<i>3087791G01</i>
<i>Европа</i>	<i>WPLN4213/B</i>	<i>WPLN4220/B</i>	<i>3087791G04</i>
<i>Великобритания.</i>	<i>WPLN4214/B</i>	<i>WPLN4221/B</i>	<i>3087791G07</i>
<i>Австралия/Новая Зеландия</i>	<i>WPLN4215/B</i>	<i>WPLN4222/B</i>	<i>3087791G10</i>
<i>Аргентина</i>	<i>WPLN4216/B</i>	<i>WPLN4223/B</i>	<i>3087791G13</i>
<i>Корея</i>	<i>WPLN4217/B</i>	<i>WPLN4224/B</i>	<i>3087791G16</i>
<i>Европа, Ближний Восток, Африка (комбинир.)</i>	<i>WPLN4237/B</i>	<i>WPLN4238/B</i>	<i>3087791G01</i>
<i>США/Северная Америка 1-UP</i>	<i>Нет</i>	<i>WPLN4239/B</i>	<i>3087791G01</i>
<i>Япония</i>	<i>PMLN5256/B</i>	<i>Нет</i>	<i>Нет</i>
<i>Brazil</i>	<i>WPLN4277/B</i>	<i>WPLN4278/B</i>	<i>3087791G22</i>

АККУМУЛЯТОРЫ, ОДОБРЕННЫЕ КОМПАНИЕЙ MOTOROLA

В таблицах ниже перечислены аккумуляторы, одобренные для использования с абонетскими радиостанциями, указанными в заголовках таблиц.

Таблица 4. Стандартные аккумуляторы и аккумуляторы IMPRES для профессиональных цифровых радиостанций

Комплект (кат. №)	Тип	Одобен FM	IMPRES
PMNN4065	Никель-металл-гидридный	Нет	Нет
PMNN4066	Литий-ионный	Нет	Да
PMNN4069	Литий-ионный	Да	Да
PMNN4077	Литий-ионный	Нет	Да
PMNN4101	Литий-ионный	Нет	Да
PMNN4102	Литий-ионный	Да	Да
PMNN4103	Литий-ионный	Нет	Да
PMNN4104	Никель-металл-гидридный	Нет	Нет
PMNN4406	Литий-ионный	Нет	Нет
PMNN4407	Литий-ионный	Нет	Да
PMNN4409	Литий-ионный	Нет	Да
PMNN4412	Никель-металл-гидридный	Нет	Нет
PMNN4415	Никель-металл-гидридный	Нет	Нет
PMNN4416	Литий-ионный	Нет	Нет
PMNN4417	Литий-ионный	Нет	Да
PMNN4418	Литий-ионный	Нет	Да
PMNN4424	Литий-ионный	Нет	Да
NNTN8128	Литий-ионный	Нет	Да
NNTN8129	Литий-ионный	Да	Да
NNTN8305	Литий-ионный	Нет	Да

ПРИМЕЧАНИЕ:

Примечание. Аккумулятор NNTN 8305 совместим только с многоместным зарядным устройством (МЗУ) версии В или более поздней.

Таблица 5. Стандартные аккумуляторы и аккумуляторы IMPRES для радиостанций MOTOTRBO (XPR 7550 Ex, DP 4801 Ex, DP 4401 Ex, XiR P8668 Ex, XiR P8608 Ex, DGP 8550 Ex, DGP 8050 Ex)

Комплект (кат. №)	Тип	Одобен FM	IMPRES
NNTN8359	Ионно-литиевый	Нет; ATEX	Да

Примечание. Если индикатор зарядки на зарядном устройстве постоянно указывает на наличие неисправности аккумулятора или его значения не соответствуют указанным в Таблице 1, аккумулятор запрещается использовать в опасных условиях.

ОПИСАНИЕ ОСОБЕННОСТЕЙ, ФУНКЦИЙ И ПРЕИМУЩЕСТВ СИСТЕМЫ IMPRES

Энергорешение IMPRES является воплощением передовой энергосистемы Tri-Chemistry компании Motorola, в состав которой входят: (а) аккумуляторы IMPRES, (б) адаптивное многоместное зарядное устройство IMPRES и (в) аппаратное/программное обеспечение радиостанции, которое обеспечивает возможность взаимодействия/обмена данными между IMPRES-совместимыми радиостанциями и аккумуляторами IMPRES.

Многоместное зарядное устройство IMPRES, используемое с аккумуляторами Motorola IMPRES, обеспечит следующее:

1. Максимальное время между последовательными зарядками за счет автоматического устранения эффекта памяти.
2. Увеличивает срок службы аккумуляторов путем значительного уменьшения нагрева во время медленной зарядки и после полной зарядки.
3. Устраняет необходимость покупки оборудования и обучения персонала для "выполнения задач по обслуживанию аккумуляторов".

Благодаря использованию этой уникальной запатентованной системы нет необходимости вести учет использования аккумуляторов IMPRES, рекондиционировать аккумуляторы вручную и вынимать аккумуляторы из зарядных устройств по завершении зарядки.

Адаптивное многоместное зарядное устройство IMPRES следит за графиком использования аккумулятора IMPRES, сохраняет эту информацию в самом аккумуляторе и включает цикл рекондиционирования, только когда это необходимо.

Адаптивное многоместное зарядное устройство IMPRES не перегревает аккумулятор IMPRES независимо от длительности нахождения аккумулятора в зарядном устройстве. Зарядное устройство следит за состоянием аккумулятора и автоматически дозаряжает его по мере необходимости.

МОДУЛЬ ДИСПЛЕЯ ДЛЯ ЗАРЯДНОГО УСТРОЙСТВА (CDM)

Адаптивные многоместные зарядные устройства IMPRES могут быть дополнительно оборудованы модулем дисплея (charger display module – CDM). Номер в каталоге Motorola для заказа: RLN5382.

Общие сведения о дисплее

Адаптивное многоместное зарядное устройство IMPRES с CDM предоставляет пользователю важную информацию при обслуживании аккумулятора. Сведения, отображаемые зарядным устройством и соответствующими светодиодными индикаторами описаны в приведенных ниже таблицах.

Включение

При включении зарядного устройства

Светодиодный индикатор	ОДИНОЧНАЯ ВСПЫШКА ЗЕЛЕНЫМ СВЕТОМ
Строка 1	IMPRES
Строка 2	

При отсутствии установленного аккумулятора

Светодиодный индикатор	OFF (ВЫКЛ.)
Строка 1	NO BATTERY (НЕТ АККУМУЛЯТОРА)
Строка 2	

Считывание данных аккумулятора

Светодиодный индикатор	Любая описанная индикация
Строка 1	READING (ЧТЕНИЕ)
Строка 2	BATTERY DATA (ДАННЫХ АККУМУЛЯТОРА)

Установлен аккумулятор не-IMPRES)

Светодиодный индикатор	Определяется состоянием зарядки
Строка 1	NON-IMPRES (НЕ-IMPRES)
Строка 2	BATTERY (АККУМУЛЯТОР)

Установлен аккумулятор IMPRES

Отображается слово IMPRESS и версия программного обеспечения

Светодиодный индикатор	Определяется состоянием зарядки
Строка 1	IMPRES
Строка 2	SW xx.yy; aa.bb (ПО xx.yy; aa.bb)

ПРИМЕЧАНИЕ

xx.yy обозначает версию ПО, а aa.bb — версию ПО CDM.

Отображаются номер комплекта аккумулятора IMPRES и серийный номер (Для упрощения идентификации на каждом аккумуляторе IMPRES имеется уникальный серийный номер)

Светодиодный индикатор	Определяется состоянием зарядки
Строка 1	KIT# ----- (КОМПЛЕКТ № -----)
Строка 2	SN: ----- (СЕРИЙНЫЙ № -----)

Отображаются номер комплекта аккумуляторов и химический процесс

Светодиодный индикатор	Определяется состоянием зарядки
Строка 1	KIT# ----- (КОМПЛЕКТ № -----)
Строка 2	----CHEMISTRY (----ХИМИЧЕСКИЙ ПРОЦЕСС)

Прогнозируемое число циклов до автоматического восстановления

Светодиодный индикатор	Определяется состоянием зарядки
Строка 1	---CYCLES (---ЦИКЛОВ)
Строка 2	TO RECONDITION (ДО ВОССТАНОВЛЕНИЯ)

* Отображается, только если до следующего цикла рекондиционирования остается менее шести циклов.

Зарядное устройство ожидает зарядки, аккумулятор нагрелся

Светодиодный индикатор	Мигающий ОРАНЖЕВЫЙ
Строка 1	WAITING TO CHG (ОЖИДАНИЕ ЗАРЯДКИ)
Строка 2	HOT BATTERY (АККУМУЛЯТОР НАГРЕЛСЯ)

Зарядное устройство ожидает зарядки, аккумулятор холодный

Светодиодный индикатор	Мигающий ОРАНЖЕВЫЙ
Строка 1	WAITING TO CHG (ОЖИДАНИЕ ЗАРЯДКИ)
Строка 2	COLD BATTERY (АККУМУЛЯТОР ХОЛОДНЫЙ)

Зарядное устройство ожидает зарядки, низкое напряжение

Светодиодный индикатор	Мигающий ОРАНЖЕВЫЙ
Строка 1	WAITING TO CHG (ОЖИДАНИЕ ЗАРЯДКИ)
Строка 2	LOW VOLTAGE (НИЗКОЕ НАПРЯЖЕНИЕ)

ПРИМЕЧАНИЕ:

Не все показанные выше экраны будут отображены. Например, экран Ожидание зарядки (аккумулятор нагрелся, аккумулятор холодный, низкое напряжение) отобразится только при возникновении соответствующей ситуации.

Зарядное устройство находится в режиме быстрой зарядки

Светодиодный индикатор	Непрерывный КРАСНЫЙ
Строка 1	RAPID CHARGE (БЫСТРАЯ ЗАРЯДКА)
Строка 2	

Зарядное устройство в режиме зарядки малым током

Светодиодный индикатор	Мигающий ЗЕЛЕНый
Строка 1	TRICKLE CHARGE (ЗАРЯДКА МАЛЫМ ТОКОМ)
Строка 2	

Зарядка завершена

Светодиодный индикатор	Ровный ЗЕЛЕНый или мигающий КРАСНЫЙ / ЗЕЛЕНый
Строка 1	CHARGE COMPLETE (ЗАРЯДКА ЗАВЕРШЕНА)
Строка 2	

Зарядное устройство в режиме разряда/восстановления

Светодиодный индикатор	Ровный ОРАНЖЕВЫЙ
Строка 1	DISCHARGE (РАЗРЯД)
Строка 2	

Зарядное устройство выполняет калибровку аккумулятора IMPRES

Светодиодный индикатор	Ровный ОРАНЖЕВЫЙ, ровный КРАСНЫЙ и мигающий ОРАНЖЕВЫЙ или ЗЕЛЕНЫЙ
Строка 1	Calibrating (Калибровка)
Строка 2	Battery (аккумулятора)

Светодиодный индикатор	Ровный ЗЕЛЕНЫЙ
Строка 1	Battery (аккумулятор)
Строка 2	Calibrated (откалиброван)

* Все аккумуляторы IMPRES должны быть откалиброваны перед использованием. Зарядное устройство IMPRES автоматически запускает калибровку для всех новых аккумуляторов

Отображаются данные о заряде аккумулятора (% , мА-ч) и напряжении (только для аккумуляторов IMPRES)

Светодиодный индикатор	Определяется состоянием зарядки
Строка 1	---% RATED CAP. (---% НОМИНАЛЬНОЙ ЕМКОСТИ)
Строка 2	---mAh --.V (---мА-ч --.В)

Расчетный заряд после зарядки (только для аккумуляторов IMPRES)

Светодиодный индикатор	Определяется состоянием зарядки
Строка 1	EST CAP AFTER (РАСЧ. ЗАРЯД ПОСЛЕ)
Строка 2	CHARGE xx% (ЗАРЯДКИ xx%)

ПРИМЕЧАНИЕ:

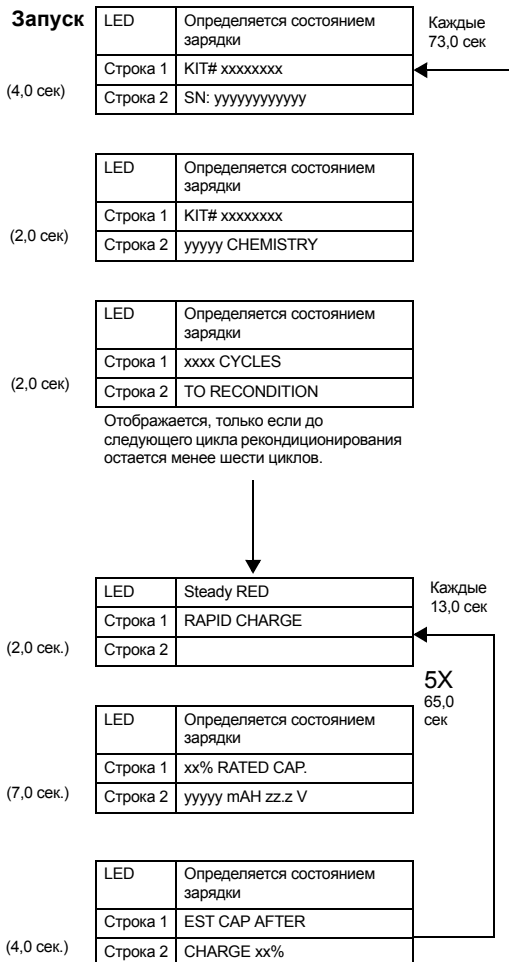
Если полностью заряженный аккумулятор IMPRES сразу же вставить в другое гнездо, то в результате автоматического расчета саморазряда возможно отображение несколько меньшего начального заряда. Это отклонение будет исправлено зарядным устройством по завершении полной зарядки аккумулятора в новом гнезде (обычно через несколько минут).

ПРИМЕЧАНИЕ:

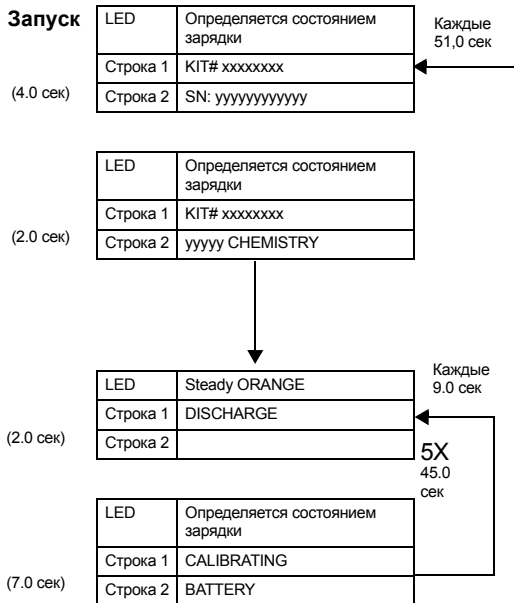
- (1) Расчетное время до завершения быстрой зарядки складывается из времени, необходимого для завершения цикла быстрой зарядки, и (если применимо) оставшегося времени, необходимого для завершения цикла разрядки.
- (2) Battery capacity information may not be displayed for uncalibrated batteries.
- (3) Use of IMPRES batteries with non-IMPRES chargers can affect capacity and charge time accuracy.
- (4) Применение некалиброванных аккумуляторов может повлиять на точность расчета времени зарядки.

Диаграммы последовательности для аккумуляторов IMPRES

Последовательность экранов для Li-Ion аккумуляторов IMPRES

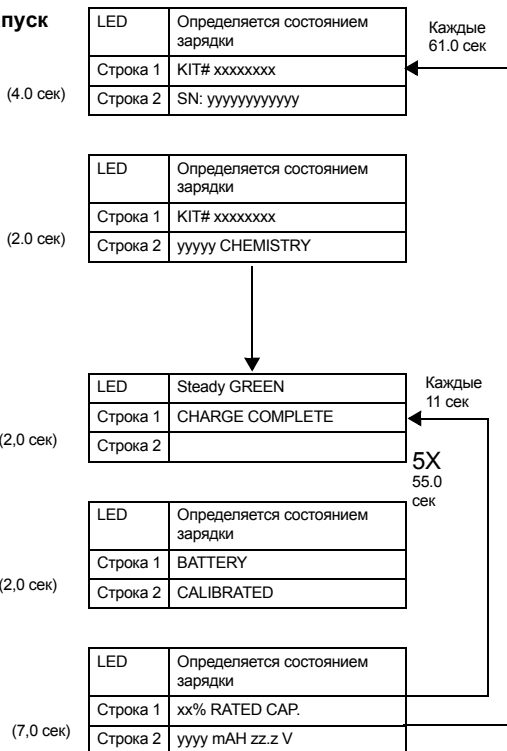


Перед калибровкой:



После калибровки:

Запуск



Ориентация текста на дисплее

Дисплей CDM может поворачиваться на 180 градусов, позволяя размещать адаптивное многоместное зарядное устройство IMPRES на столе или стене.

Чтобы повернуть дисплей, вставьте большую канцелярскую скрепку в отверстие под дисплеем перпендикулярно поверхности. Щелчок будет означать срабатывание переключателя, после чего текст будет повернут на 180 градусов.

MOTOROLA, MOTO, MOTOROLA SOLUTIONS и логотип в виде стилизованной буквы М являются товарными знаками или зарегистрированными товарными знаками Motorola Trademark Holdings, LLC и используются по лицензии. Все прочие товарные знаки являются собственностью соответствующих владельцев.

© 2007, 2010 – 2012 Motorola Solutions, Inc. Все права защищены.



6816789H01-H

