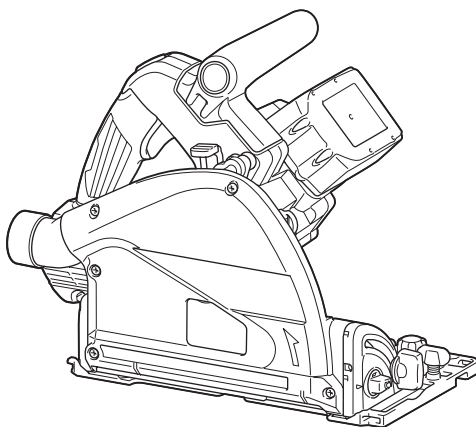




| | | | |
|----|------------------------------------|-------------------------|-----|
| EN | Cordless Plunge Cut Saw | INSTRUCTION MANUAL | 9 |
| FR | Scie Plongeante Sans Fil | MANUEL D'INSTRUCTIONS | 22 |
| DE | Akku- Tauchsäge | BETRIEBSANLEITUNG | 36 |
| IT | Sega a immersione a batteria | ISTRUZIONI PER L'USO | 51 |
| NL | Accu-invalcirkelzaag | GEBRUIKSAANWIJZING | 66 |
| ES | Sierra de Inmersión Inalámbrica | MANUAL DE INSTRUCCIONES | 80 |
| PT | Serra Circular de Trilho a Bateria | MANUAL DE INSTRUÇÕES | 94 |
| DA | Akku dyksav | BRUGSANVISNING | 108 |
| EL | Φορητό πριόνι βαθιάς κοπής | ΕΓΧΕΙΡΙΔΙΟ ΟΔΗΓΙΩΝ | 121 |
| TR | Akülü Daldırmalı Testere | KULLANMA KILAVUZU | 136 |

DSP600
DSP601



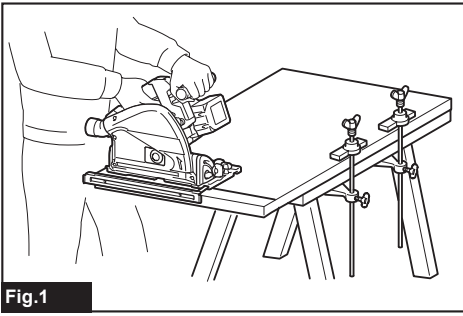


Fig.1

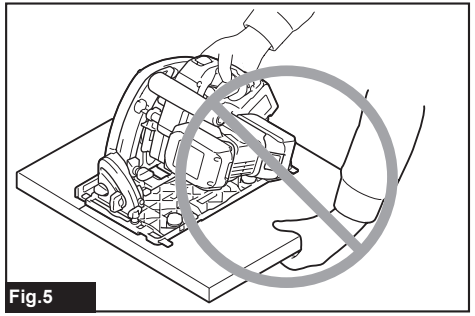


Fig.5

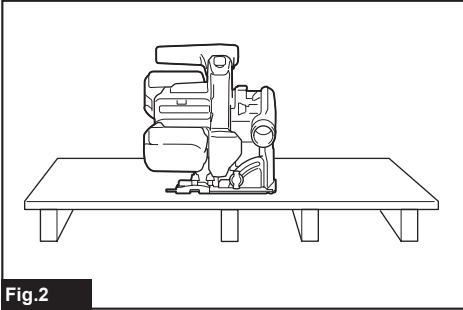


Fig.2

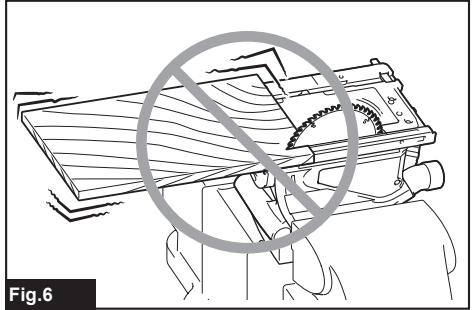


Fig.6

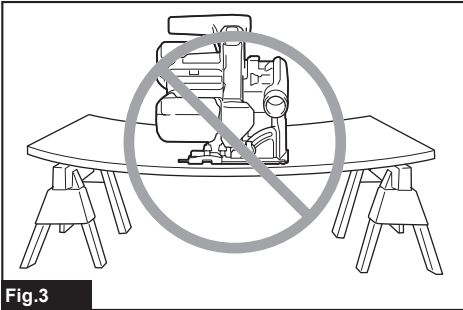


Fig.3

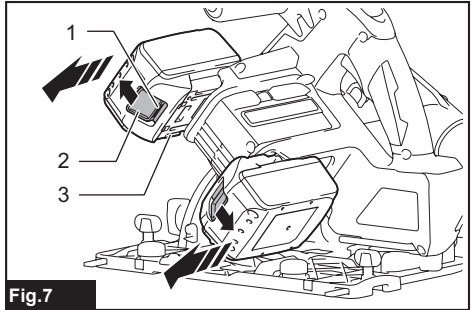


Fig.7

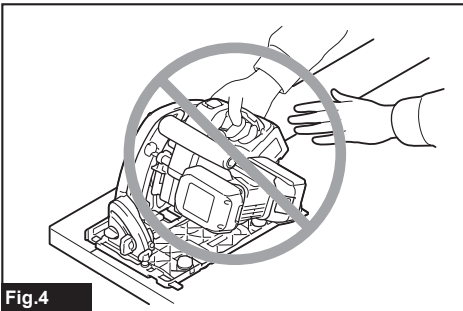


Fig.4

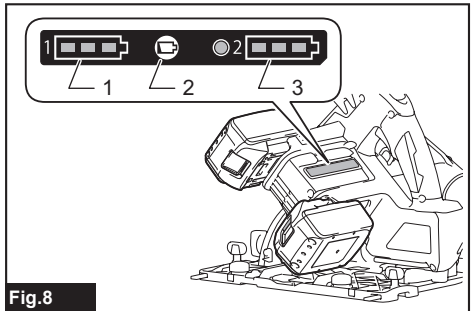


Fig.8

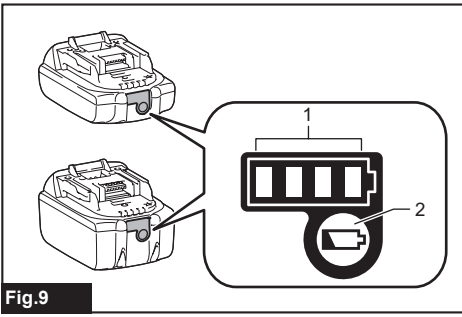


Fig.9

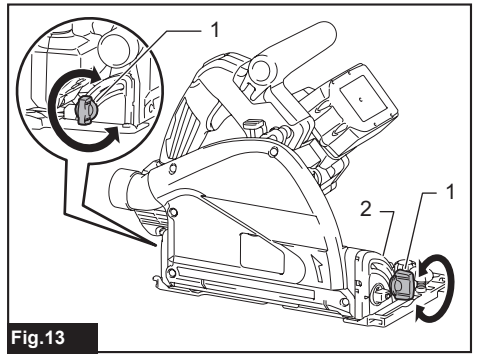


Fig.13

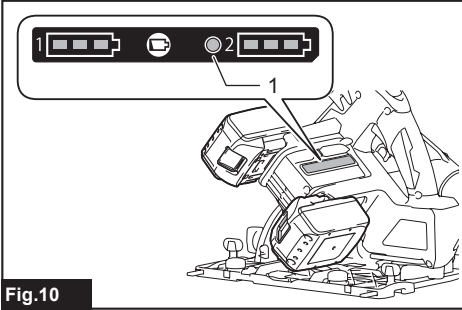


Fig.10

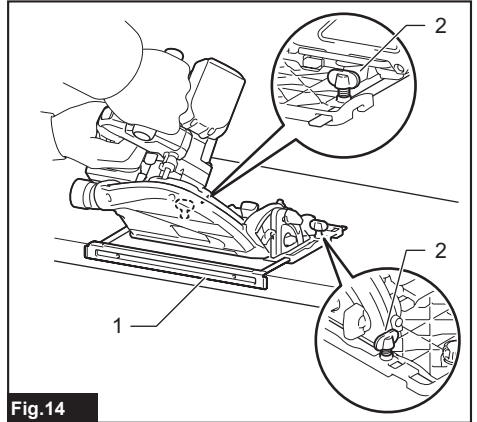


Fig.14

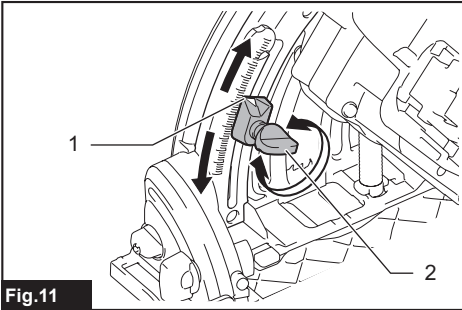


Fig.11

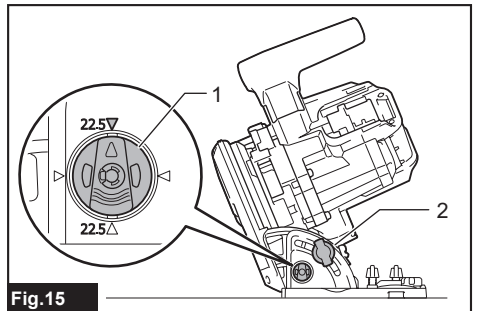


Fig.15

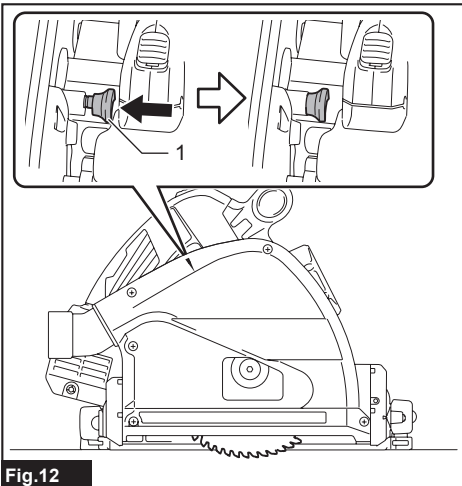


Fig.12

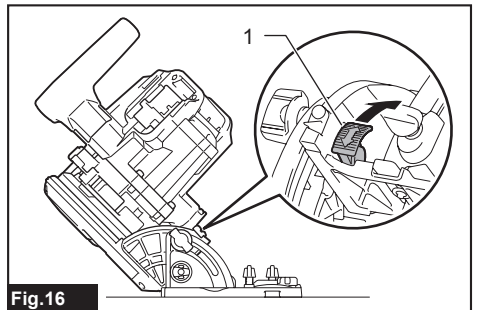


Fig.16

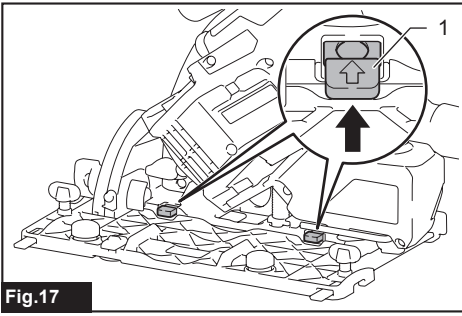


Fig.17

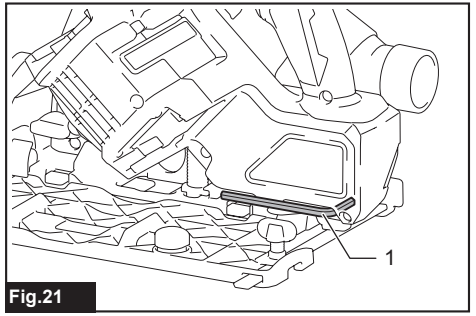


Fig.21

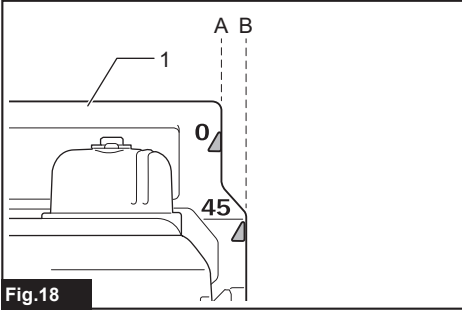


Fig.18

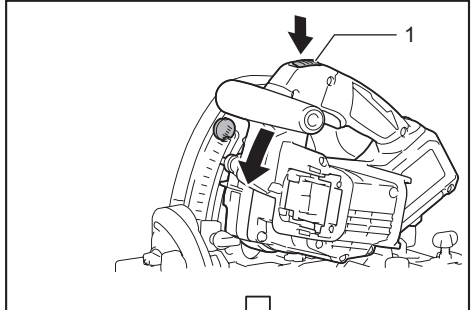


Fig.22

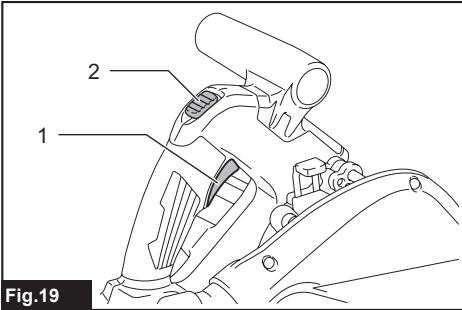


Fig.19

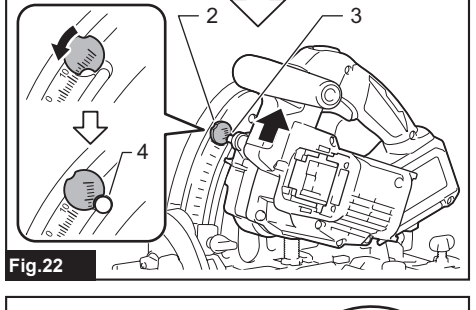


Fig.22

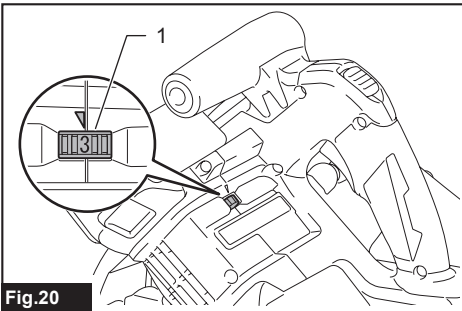


Fig.20

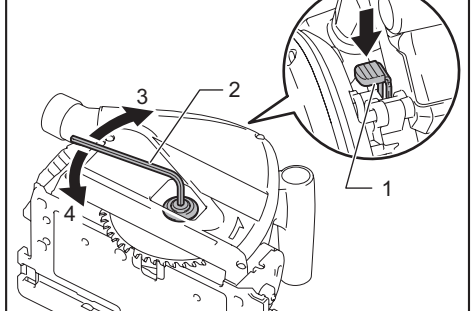


Fig.23

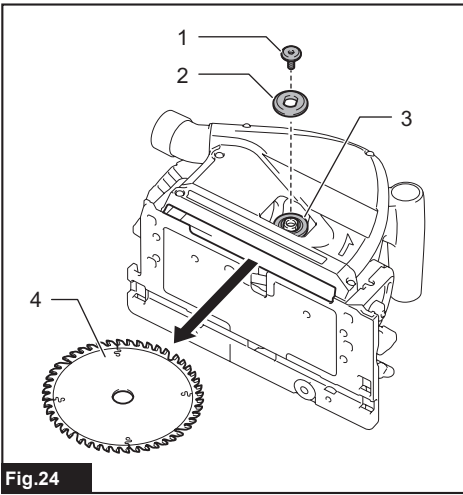


Fig. 24

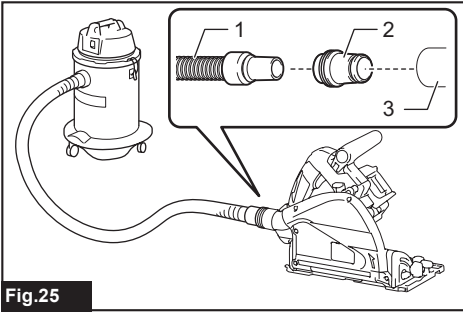


Fig. 25

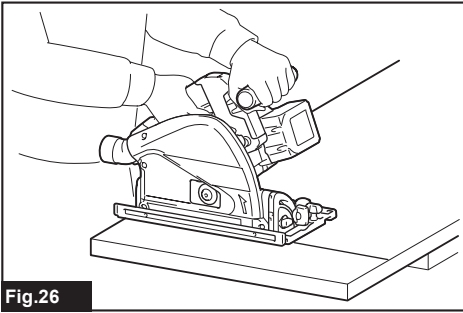


Fig. 26

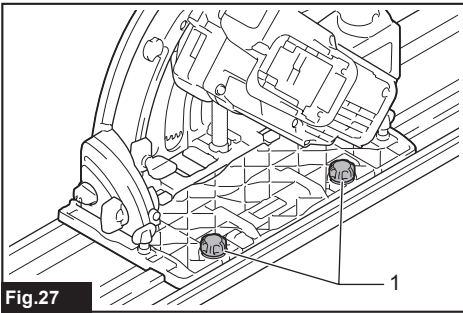


Fig. 27

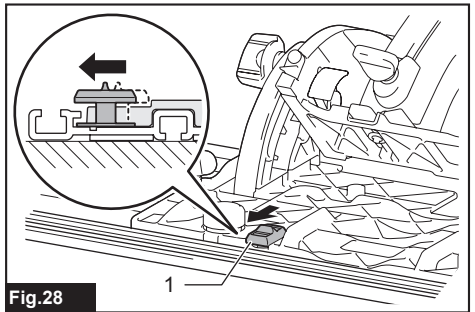


Fig. 28

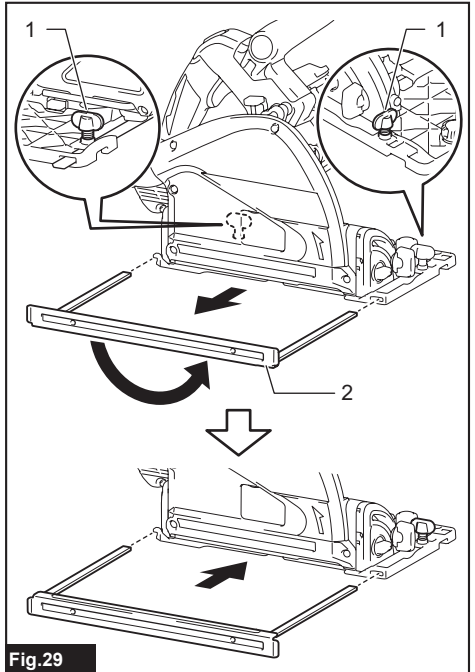


Fig. 29

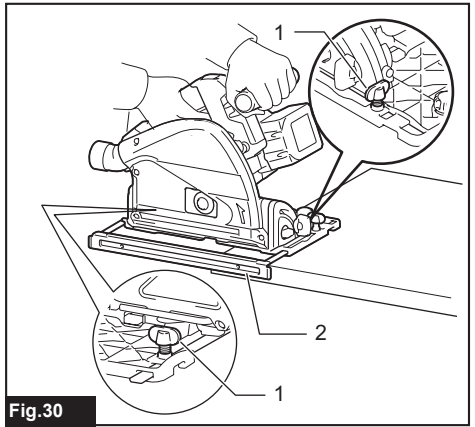


Fig. 30

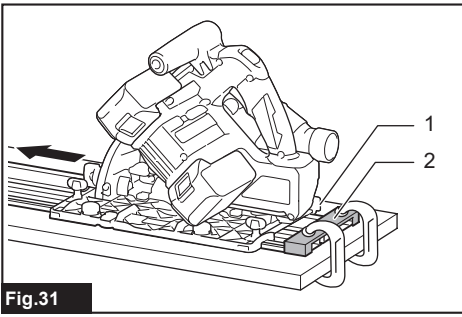


Fig.31

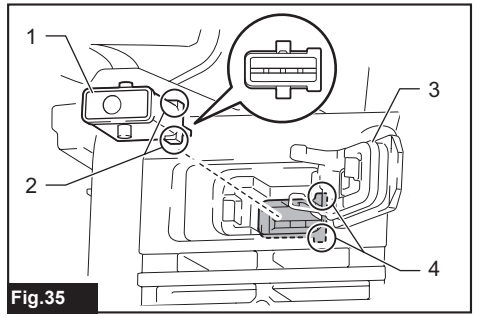


Fig.35

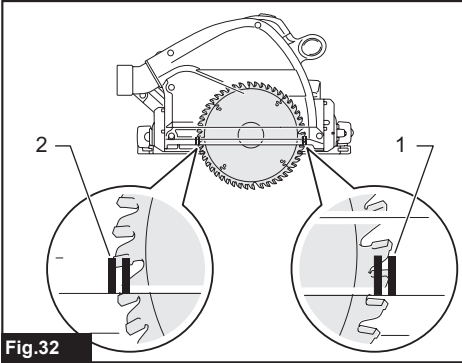


Fig.32

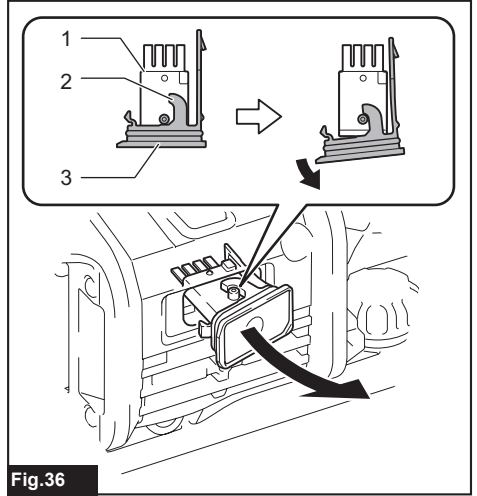


Fig.36

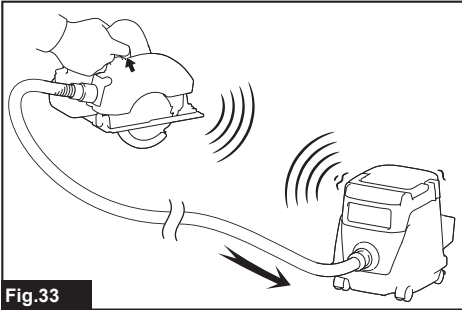


Fig.33

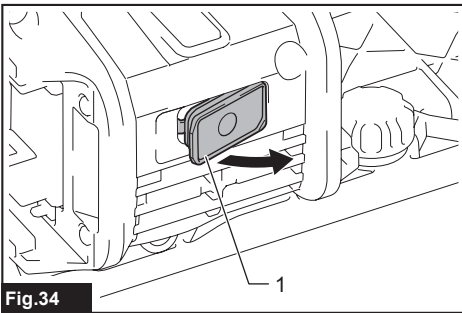


Fig.34

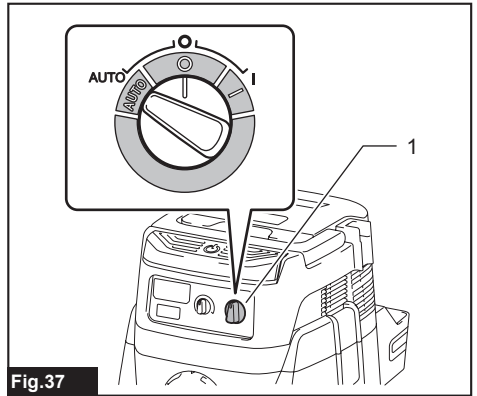


Fig.37

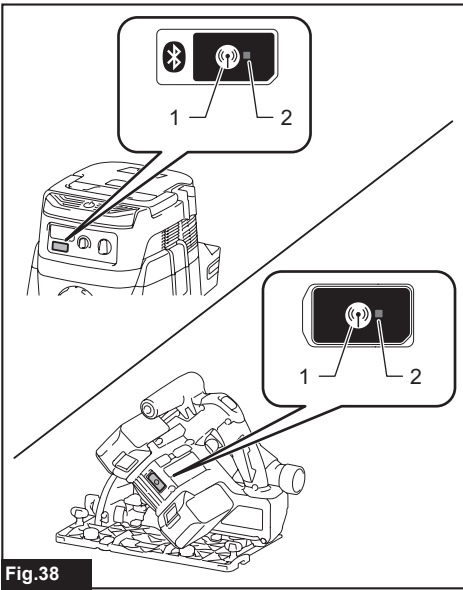


Fig.38

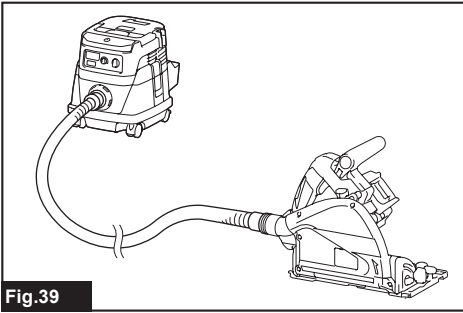


Fig.39

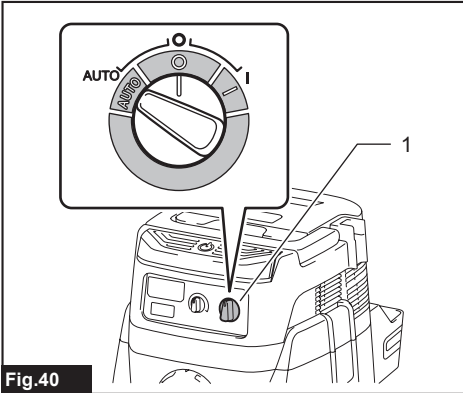


Fig.40

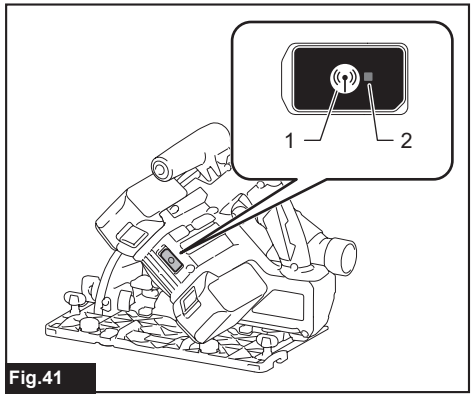


Fig.41

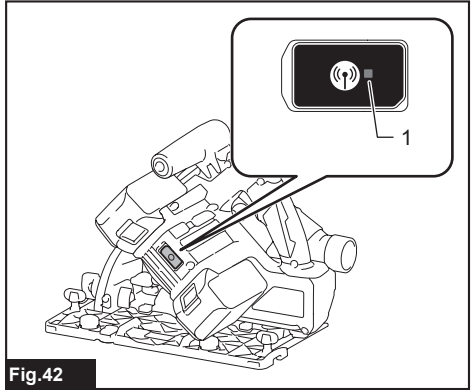


Fig.42

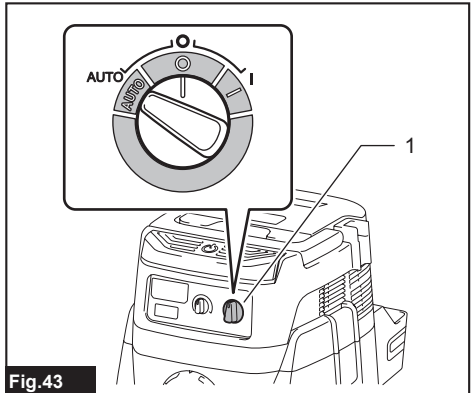


Fig.43

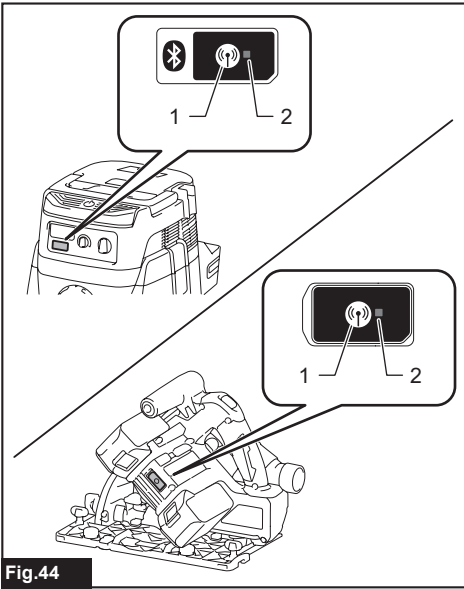


Fig.44

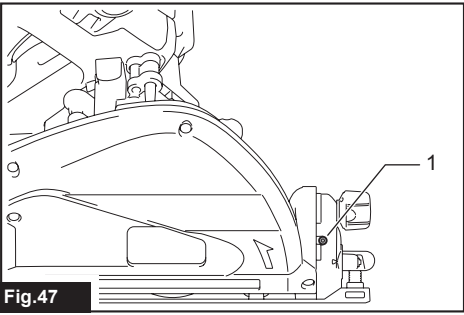


Fig.47

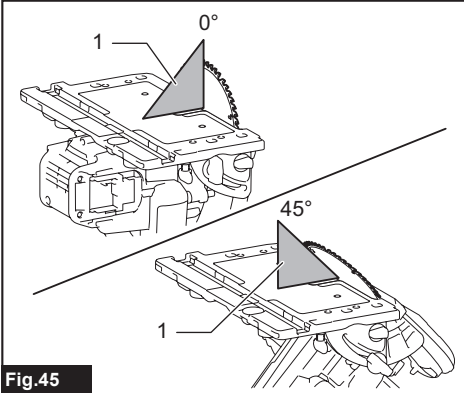


Fig.45

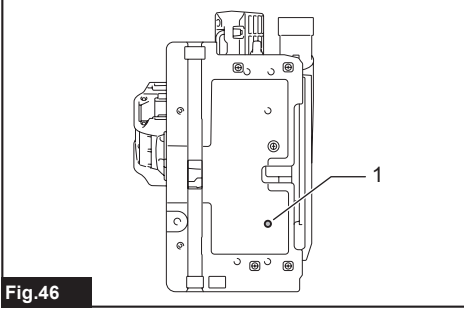


Fig.46

SPECIFICATIONS

| Model: | DSP600 | DSP601 |
|--------------------|--|--------|
| Blade diameter | 165 mm | |
| Max. Cutting depth | at 0° | 56 mm |
| | at 45° bevel | 40 mm |
| | at 48° bevel | 38 mm |
| No load speed | 2,500 - 6,300 min ⁻¹ | |
| Overall length | 346 mm | |
| Rated voltage | D.C. 36 V | |
| Battery cartridge | BL1815N, BL1820, BL1820B, BL1830, BL1830B, BL1840, BL1840B, BL1850, BL1850B, BL1860B | |
| Charger | DC18RC, DC18RD, DC18SD, DC18SE, DC18SF | |
| Net weight | 4.4 - 5.1 kg | |

- Due to our continuing program of research and development, the specifications herein are subject to change without notice.
- Specifications and battery cartridge may differ from country to country.
- The weight may differ depending on the attachment(s), including the battery cartridge. The lightest and heaviest combination, according to EPTA-Procedure 01/2014, are shown in the table.

Intended use

The tool is specially intended for performing plunge cuts. The tool is also intended for rip and cross cuts in wood. If the tool is equipped with proper circular saw blade, the tool can be used for sawing aluminum, plastic, mineral contained plastic, and similar materials.

Noise

The typical A-weighted noise level determined according to EN62841:

Model DSP600

Sound pressure level (L_{pA}): 92 dB(A)
 Sound power level (L_{WA}): 103 dB (A)
 Uncertainty (K): 3 dB(A)

Model DSP601

Sound pressure level (L_{pA}): 92 dB(A)
 Sound power level (L_{WA}): 103 dB (A)
 Uncertainty (K): 3 dB(A)

⚠ WARNING: Wear ear protection.

Vibration

The vibration total value (tri-axial vector sum) determined according to EN62841:

Model DSP600

Work mode: cutting wood
 Vibration emission ($a_{h,W}$): 2.5 m/s² or less
 Uncertainty (K): 1.5 m/s²

Work mode: cutting metal
 Vibration emission ($a_{h,M}$): 2.5 m/s² or less
 Uncertainty (K): 1.5 m/s²

Model DSP601

Work mode: cutting wood
 Vibration emission ($a_{h,W}$): 2.5 m/s² or less
 Uncertainty (K): 1.5 m/s²

Work mode: cutting metal
 Vibration emission ($a_{h,M}$): 2.5 m/s² or less
 Uncertainty (K): 1.5 m/s²

NOTE: The declared vibration emission value has been measured in accordance with the standard test method and may be used for comparing one tool with another.

NOTE: The declared vibration emission value may also be used in a preliminary assessment of exposure.

⚠ WARNING: The vibration emission during actual use of the power tool can differ from the declared emission value depending on the ways in which the tool is used.

⚠ WARNING: Be sure to identify safety measures to protect the operator that are based on an estimation of exposure in the actual conditions of use (taking account of all parts of the operating cycle such as the times when the tool is switched off and when it is running idle in addition to the trigger time).

EC Declaration of Conformity

For European countries only

The EC declaration of conformity is included as Annex A to this instruction manual.

SAFETY WARNINGS

General power tool safety warnings

⚠ WARNING: Read all safety warnings, instructions, illustrations and specifications provided with this power tool. Failure to follow all instructions listed below may result in electric shock, fire and/or serious injury.

Save all warnings and instructions for future reference.

The term "power tool" in the warnings refers to your mains-operated (corded) power tool or battery-operated (cordless) power tool.

Cordless circular saw safety warnings

Cutting procedures

1. **⚠ DANGER:** Keep hands away from cutting area and the blade. Keep your second hand on auxiliary handle, or motor housing. If both hands are holding the saw, they cannot be cut by the blade.
 2. Do not reach underneath the workpiece. The guard cannot protect you from the blade below the workpiece.
 3. Adjust the cutting depth to the thickness of the workpiece. Less than a full tooth of the blade teeth should be visible below the workpiece.
 4. Never hold the workpiece in your hands or across your leg while cutting. Secure the workpiece to a stable platform. It is important to support the work properly to minimise body exposure, blade binding, or loss of control.
- Fig.1
5. Hold the power tool by insulated gripping surfaces, when performing an operation where the cutting tool may contact hidden wiring or its own cord. Contact with a "live" wire will also make exposed metal parts of the power tool "live" and could give the operator an electric shock.
 6. When ripping, always use a rip fence or straight edge guide. This improves the accuracy of cut and reduces the chance of blade binding.
 7. Always use blades with correct size and shape (diamond versus round) of arbour holes. Blades that do not match the mounting hardware of the saw will run off-centre, causing loss of control.
 8. Never use damaged or incorrect blade washers or bolt. The blade washers and bolt were specially designed for your saw, for optimum performance and safety of operation.

Kickback causes and related warnings

- kickback is a sudden reaction to a pinched, jammed or misaligned saw blade, causing an uncontrolled saw to lift up and out of the workpiece toward the operator;

- when the blade is pinched or jammed tightly by the kerf closing down, the blade stalls and the motor reaction drives the unit rapidly back toward the operator;
- if the blade becomes twisted or misaligned in the cut, the teeth at the back edge of the blade can dig into the top surface of the wood causing the blade to climb out of the kerf and jump back toward the operator.

Kickback is the result of saw misuse and/or incorrect operating procedures or conditions and can be avoided by taking proper precautions as given below.

1. **Maintain a firm grip with both hands on the saw and position your arms to resist kickback forces. Position your body to either side of the blade, but not in line with the blade.** Kickback could cause the saw to jump backwards, but kickback forces can be controlled by the operator, if proper precautions are taken.
2. **When blade is binding, or when interrupting a cut for any reason, release the trigger and hold the saw motionless in the material until the blade comes to a complete stop. Never attempt to remove the saw from the work or pull the saw backward while the blade is in motion or kickback may occur.** Investigate and take corrective actions to eliminate the cause of blade binding.
3. **When restarting a saw in the workpiece, centre the saw blade in the kerf so that the saw teeth are not engaged into the material.** If a saw blade binds, it may walk up or kickback from the workpiece as the saw is restarted.
4. **Support large panels to minimise the risk of blade pinching and kickback.** Large panels tend to sag under their own weight. Supports must be placed under the panel on both sides, near the line of cut and near the edge of the panel.

► Fig.2

► Fig.3

5. **Do not use dull or damaged blades.** Unsharpened or improperly set blades produce narrow kerf causing excessive friction, blade binding and kickback.
6. **Blade depth and bevel adjusting locking levers must be tight and secure before making the cut.** If blade adjustment shifts while cutting, it may cause binding and kickback.
7. **Use extra caution when sawing into existing walls or other blind areas.** The protruding blade may cut objects that can cause kickback.
8. **ALWAYS hold the tool firmly with both hands. NEVER place your hand, leg or any part of your body under the tool base or behind the saw, especially when making cross-cuts.** If kickback occurs, the saw could easily jump backwards over your hand, leading to serious personal injury.

► Fig.4

9. **Never force the saw. Push the saw forward at a speed so that the blade cuts without slowing.** Forcing the saw can cause uneven cuts, loss of accuracy, and possible kickback.

Guard function

1. **Check the guard for proper closing before each use. Do not operate the saw if the guard does not move freely and enclose the blade instantly. Never clamp or tie the guard so that the blade is exposed.** If the saw is accidentally dropped, the guard may be bent. Check to make sure that the guard moves freely and does not touch the blade or any other part, in all angles and depths of cut.
2. **Check the operation and condition of the guard return spring. If the guard and the spring are not operating properly, they must be serviced before use.** The guard may operate sluggishly due to damaged parts, gummy deposits, or a build-up of debris.
3. **Assure that the base plate of the saw will not shift while performing a "plunge cut".** Blade shifting sideways will cause binding and likely kick back.
4. **Always observe that the guard is covering the blade before placing the saw down on bench or floor.** An unprotected, coasting blade will cause the saw to walk backwards, cutting whatever is in its path. Be aware of the time it takes for the blade to stop after the switch is released.

Additional safety warnings

1. **Use extra caution when cutting damp wood, pressure treated lumber, or wood containing knots.** Maintain smooth advancement of tool without decrease in blade speed to avoid overheating the blade tips and if cutting plastics, to avoid melting the plastic.
2. **Do not attempt to remove cut material when blade is moving. Wait until blade stops before grasping cut material.** Blades coast after turn off.
3. **Avoid cutting nails. Inspect for and remove all nails from lumber before cutting.**
4. **Place the wider portion of the saw base on that part of the workpiece which is solidly supported, not on the section that will fall off when the cut is made. If the workpiece is short or small, clamp it down. DO NOT TRY TO HOLD SHORT PIECES BY HAND!**
► Fig.5
5. **Before setting the tool down after completing a cut, be sure that the guard has closed and the blade has come to a complete stop.**
6. **Never attempt to saw with the circular saw held upside down in a vise. This is extremely dangerous and can lead to serious accidents.**
► Fig.6
7. **Some material contains chemicals which may be toxic. Take caution to prevent dust inhalation and skin contact. Follow material supplier safety data.**
8. **Do not stop the blades by lateral pressure on the saw blade.**
9. **Do not use any abrasive wheels.**
10. **Only use the saw blade with the diameter that is marked on the tool or specified in the manual. Use of an incorrectly sized blade may affect the proper guarding of the blade or guard operation which could result in serious personal injury.**

11. **Keep blade sharp and clean.** Gum and wood pitch hardened on blades slows saw and increases potential for kickback. Keep blade clean by first removing it from tool, then cleaning it with gum and pitch remover, hot water or kerosene. Never use gasoline.
12. **Wear a dust mask and hearing protection when use the tool.**
13. **Always use the saw blade intended for cutting the material that you are going to cut.**
14. **Only use the saw blades that are marked with a speed equal or higher than the speed marked on the tool.**
15. **(For European countries only) Always use the blade which conforms to EN847-1.**

SAVE THESE INSTRUCTIONS.

⚠WARNING: DO NOT let comfort or familiarity with product (gained from repeated use) replace strict adherence to safety rules for the subject product. MISUSE or failure to follow the safety rules stated in this instruction manual may cause serious personal injury.

Important safety instructions for battery cartridge

1. **Before using battery cartridge, read all instructions and cautionary markings on (1) battery charger, (2) battery, and (3) product using battery.**
2. **Do not disassemble battery cartridge.**
3. **If operating time has become excessively shorter, stop operating immediately. It may result in a risk of overheating, possible burns and even an explosion.**
4. **If electrolyte gets into your eyes, rinse them out with clear water and seek medical attention right away. It may result in loss of your eyesight.**
5. **Do not short the battery cartridge:**
 - (1) **Do not touch the terminals with any conductive material.**
 - (2) **Avoid storing battery cartridge in a container with other metal objects such as nails, coins, etc.**
 - (3) **Do not expose battery cartridge to water or rain.**

A battery short can cause a large current flow, overheating, possible burns and even a breakdown.
6. **Do not store the tool and battery cartridge in locations where the temperature may reach or exceed 50 °C (122 °F).**
7. **Do not incinerate the battery cartridge even if it is severely damaged or is completely worn out. The battery cartridge can explode in a fire.**
8. **Be careful not to drop or strike battery.**
9. **Do not use a damaged battery.**

10. **The contained lithium-ion batteries are subject to the Dangerous Goods Legislation requirements.**
For commercial transports e.g. by third parties, forwarding agents, special requirement on packaging and labeling must be observed.
For preparation of the item being shipped, consulting an expert for hazardous material is required. Please also observe possibly more detailed national regulations.
Tape or mask off open contacts and pack up the battery in such a manner that it cannot move around in the packaging.
11. **Follow your local regulations relating to disposal of battery.**

SAVE THESE INSTRUCTIONS.

⚠ CAUTION: Only use genuine Makita batteries. Use of non-genuine Makita batteries, or batteries that have been altered, may result in the battery bursting causing fires, personal injury and damage. It will also void the Makita warranty for the Makita tool and charger.

Tips for maintaining maximum battery life

1. **Charge the battery cartridge before completely discharged. Always stop tool operation and charge the battery cartridge when you notice less tool power.**
2. **Never recharge a fully charged battery cartridge. Overcharging shortens the battery service life.**
3. **Charge the battery cartridge with room temperature at 10 °C - 40 °C (50 °F - 104 °F). Let a hot battery cartridge cool down before charging it.**
4. **Charge the battery cartridge if you do not use it for a long period (more than six months).**

Important safety instructions for wireless unit

1. **Do not disassemble or tamper with the wireless unit.**
2. **Keep the wireless unit away from young children. If accidentally swallowed, seek medical attention immediately.**
3. **Use the wireless unit only with Makita tools.**
4. **Do not expose the wireless unit to rain or wet conditions.**
5. **Do not use the wireless unit in places where the temperature exceeds 50°C (122°F).**
6. **Do not operate the wireless unit in places where medical instruments, such as heart pace makers are near by.**
7. **Do not operate the wireless unit in places where automated devices are near by. If operated, automated devices may develop malfunction or error.**
8. **The wireless unit can produce electromagnetic fields (EMF) but they are not harmful to the user.**

9. **The wireless unit is an accurate instrument. Be careful not to drop or strike the wireless unit.**
10. **Avoid touching the terminal of the wireless unit with bare hands or metallic materials.**
11. **Always remove the battery on the tool when installing the wireless unit.**
12. **When opening the lid of the slot, avoid the place where dust and water may come into the slot. Always keep the inlet of the slot clean.**
13. **Always insert the wireless unit in the correct direction.**
14. **Do not press the wireless activation button on the wireless unit too hard and/or press the button with an object with a sharp edge.**
15. **Always close the lid of the slot when operating.**
16. **Do not remove the wireless unit from the slot while the power is being supplied to the tool. Doing so may cause a malfunction of the wireless unit.**
17. **Do not remove the sticker on the wireless unit.**
18. **Do not put any sticker on the wireless unit.**
19. **Do not leave the wireless unit in a place where static electricity or electrical noise could be generated.**
20. **Do not leave the wireless unit in a place subject to high heat, such as a car sitting in the sun.**
21. **Do not leave the wireless unit in a dusty or powdery place or in a place corrosive gas could be generated.**
22. **Sudden change of the temperature may bedew the wireless unit. Do not use the wireless unit until the dew is completely dried.**
23. **When cleaning the wireless unit, gently wipe with a dry soft cloth. Do not use benzine, thinner, conductive grease or the like.**
24. **When storing the wireless unit, keep it in the supplied case or a static-free container.**
25. **Do not insert any devices other than Makita wireless unit into the slot on the tool.**
26. **Do not use the tool with the lid of the slot damaged. Water, dust, and dirt come into the slot may cause malfunction.**
27. **Do not pull and/or twist the lid of the slot more than necessary. Restore the lid if it comes off from the tool.**
28. **Replace the lid of the slot if it is lost or damaged.**

SAVE THESE INSTRUCTIONS.

FUNCTIONAL DESCRIPTION

CAUTION: Always be sure that the tool is switched off and the battery cartridge is removed before adjusting or checking function on the tool.

Installing or removing battery cartridge

CAUTION: Always switch off the tool before installing or removing of the battery cartridge.

CAUTION: Hold the tool and the battery cartridge firmly when installing or removing battery cartridge.

Failure to hold the tool and the battery cartridge firmly may cause them to slip off your hands and result in damage to the tool and battery cartridge and a personal injury.

► Fig.7: 1. Red indicator 2. Button 3. Battery cartridge

To remove the battery cartridge, slide it from the tool while sliding the button on the front of the cartridge.

To install the battery cartridge, align the tongue on the battery cartridge with the groove in the housing and slip it into place. Insert it all the way until it locks in place with a little click. If you can see the red indicator on the upper side of the button, it is not locked completely.

CAUTION: Always install the battery cartridge fully until the red indicator cannot be seen. If not, it may accidentally fall out of the tool, causing injury to you or someone around you.

CAUTION: Do not install the battery cartridge forcibly. If the cartridge does not slide in easily, it is not being inserted correctly.

NOTE: The tool does not work with only one battery cartridge.

Tool / battery protection system

The tool is equipped with a tool/battery protection system. This system automatically cuts off power to the motor to extend tool and battery life. The tool will automatically stop during operation if the tool or battery is placed under one of the following conditions.

Overload protection

When the tool is operated in a manner that causes it to draw an abnormally high current, the tool automatically stops. In this situation, turn the tool off and stop the application that caused the tool to become overloaded. Then turn the tool on to restart.

Overheat protection

When the tool is overheated, the tool stops automatically, and the battery indicator blink about 60 seconds. In this situation, let the tool cool down before turning the tool on again.

| | |
|--|--|
| <input checked="" type="checkbox"/> On | <input checked="" type="checkbox"/> Blinking |
| | |

Overdischarge protection

When the battery capacity becomes low, the tool stops automatically. If the product does not operate even when the switches are operated, remove the batteries from the tool and charge the batteries.

Indicating the remaining battery capacity

► Fig.8: 1. Battery indicator (for upper battery)
2. Check button 3. Battery indicator (for lower battery)

Press the check button to indicate the remaining battery capacities. The battery indicators correspond to each battery.

| Battery indicator status | | | Remaining battery capacity |
|--|------------------------------|--|----------------------------|
| <input checked="" type="checkbox"/> On | <input type="checkbox"/> Off | <input checked="" type="checkbox"/> Blinking | |
| | | | 50% to 100% |
| | | | 20% to 50% |
| | | | 0% to 20% |
| | | | Charge the battery |

Indicating the remaining battery capacity

Only for battery cartridges with the indicator

► Fig.9: 1. Indicator lamps 2. Check button

Press the check button on the battery cartridge to indicate the remaining battery capacity. The indicator lamps light up for a few seconds.

| Indicator lamps | | | Remaining capacity |
|---|------------------------------|--|-------------------------------------|
| <input checked="" type="checkbox"/> Lighted | <input type="checkbox"/> Off | <input checked="" type="checkbox"/> Blinking | |
| | | | 75% to 100% |
| | | | 50% to 75% |
| | | | 25% to 50% |
| | | | 0% to 25% |
| | | | Charge the battery. |
| | | | The battery may have malfunctioned. |

NOTE: Depending on the conditions of use and the ambient temperature, the indication may differ slightly from the actual capacity.




Automatic speed change function

NOTE: Automatic speed change function is only available when the speed adjusting dial is in 5.

This tool has "high speed mode" and "high torque mode". The tool automatically changes the operation mode depending on the work load. When the work load is low, the tool will run in the "high speed mode" for quicker cutting operation. When the work load is high, the tool will run in the "high torque mode" for powerful cutting operation.

► **Fig.10:** 1. Mode indicator

The mode indicator lights up in green when the tool is running in "high torque mode". If the tool is operated with excessive load, the mode indicator will blink in green. The mode indicator stops blinking and then lights up or turns off if you reduce the load on the tool.

| Mode indicator status | | | Operation mode |
|---|-------|------------|------------------|
| ● On | ○ Off | ● Blinking | |
|  | | | High speed mode |
|  | | | High torque mode |
|  | | | Overload alert |

Adjusting depth of cut

CAUTION: After adjusting the depth of cut, always tighten the clamping screw securely.

Loosen the clamping screw on the depth guide and move the blade lower limit stopper to the desired depth on the scale plate. At the desired depth of cut, tighten the clamping screw firmly. For cleaner, safer cuts, set cut depth so that no more than one blade tooth projects below workpiece. Using proper cut depth helps to reduce potential for dangerous KICKBACKS which can cause personal injury.

► **Fig.11:** 1. Blade lower limit stopper 2. Clamping screw

Quick stop button for 2 to 3 mm depth of cut when using guide rail (optional accessory)

This tool has the quick stop button for 2 to 3 mm depth of cut on the gear housing aside the rear handle when using guide rail. This is used when avoiding splinter on the workpiece in the cut. Make a pass of the 2 to 3 mm first cut and then make another pass of usual cut.

► **Fig.12:** 1. Quick stop button

To obtain the 2 to 3 mm depth of cut, push in the quick stop button toward the saw blade. This is convenient for avoiding splinter on the workpiece.

To release the depth of cut from this position for free depth of cut, just pull the button back.

Bevel cutting

Loosen the clamping screws. Set for the desired angle by tilting accordingly, then tighten the clamping screws securely.

► **Fig.13:** 1. Clamping screw 2. Bevel scale plate

► **Fig.14:** 1. Sub base (Optional accessory)
2. Clamping screw

Positive stopper

The positive stopper is useful for setting the designated angle quickly. Turn the positive stopper so that the arrow on it points 22.5°. Loosen the clamping screws in front and back. Then tilt the blade until it stops and secure the base with the clamping screws.

► **Fig.15:** 1. Positive stopper 2. Clamping screw

48°-bevel cutting

To perform 48°-bevel cutting, loosen the clamping screws and fully tilt the lever toward the direction of the arrow in the figure. Then set the bevel angle to 48° and tighten the clamping screws.

► **Fig.16:** 1. Lever

-1°-bevel cutting

To perform -1°-bevel cutting, loosen the clamping screws and press the levers toward the direction of the arrow in the figure. Then set the bevel angle to -1° and tighten the clamping screws.

► **Fig.17:** 1. Lever

Sighting

► **Fig.18:** 1. Base

The cutting line varies depending on the cutting angle and whether you use the guide rail (optional accessory).

When using the tool without guide rail

For straight cuts, align the A position on the front of the base with your cutting line. For 45° bevel cuts, align the B position with it.

When using the tool with guide rail

For both straight cuts and 45° bevel cuts, always align the A position on the front of the base with your cutting line.

Switch action

WARNING: Before installing the battery cartridge into the tool, always check to see that the switch trigger actuates properly and returns to the "OFF" position when released.

WARNING: NEVER defeat the lock-off button by taping down or some other means. A switch with a negated lock-off button may result in unintentional operation and serious personal injury.

WARNING: NEVER use the tool if it runs when you simply pull the switch trigger without pressing the lock-off button. A switch in need of repair may result in unintentional operation and serious personal injury. Return tool to a Makita service center for proper repairs BEFORE further usage.

To prevent the switch trigger from being accidentally pulled, a lock-off button is provided. To start the tool, depress the lock-off button and pull the switch trigger. Release the switch trigger to stop.

► **Fig.19:** 1. Switch trigger 2. Lock-off button

NOTICE: Do not pull the switch trigger hard without pressing in the lock-off button. This can cause switch breakage.

Speed adjusting dial

The tool speed can be adjusted by turning the adjusting dial. The speed of the blade rotation increases as you increase the number on the speed adjusting dial.

► **Fig.20:** 1. Speed adjusting dial

Refer to the table to select the proper speed for the workpiece to be cut. However, the appropriate speed may differ with the type or thickness of the workpiece. In general, higher speeds will allow you to cut workpieces faster but the service life of the blade will be reduced.

| Number | Blade rotating speed per minute (min ⁻¹) |
|--------|--|
| 1 | 2,500 min ⁻¹ |
| 2 | 2,900 min ⁻¹ |
| 3 | 3,900 min ⁻¹ |
| 4 | 4,900 min ⁻¹ |
| 5 | 6,300 min ⁻¹ |

CAUTION: The speed adjusting dial is not for using low speed rated saw blades but for obtaining a speed which is suitable to material of workpiece. Use only saw blades which are rated for at least the maximum no load speed stated in the SPECIFICATIONS.

NOTICE: The speed adjusting dial can be turned only as far as 5 and back to 1. Do not force it past 5 or 1, or the speed adjusting function may no longer work.

Electronic function

The tools equipped with electronic function are easy to operate because of the following features.

Overload protector

When the tool is overloaded and current flows above a certain level, the tool automatically stops to protect motor.

Constant speed control

Electronic speed control for obtaining constant speed. Possible to get fine finish, because the rotating speed is kept constant even under load condition.

Soft start feature

Soft start because of suppressed starting shock.

ASSEMBLY

CAUTION: Always be sure that the tool is switched off and the battery cartridge is removed before carrying out any work on the tool.

Hex wrench storage

When not in use, store the hex wrench as shown in the figure to keep it from being lost.

► **Fig.21:** 1. Hex wrench

Removing or installing circular saw blade

CAUTION: Be sure the circular saw blade is installed with teeth pointing up at the front of the tool.

CAUTION: Use only the Makita wrench to install or remove the circular saw blade.

To remove the circular saw blade:

1. Depress the lock-off button and lower the handle a little. Turn the locking lever and lower the handle until the lock pin fits in the hole.

► **Fig.22:** 1. Lock-off button 2. Locking lever 3. Lock pin 4. Hole for lock pin

2. Press the shaft lock fully so that the blade cannot revolve and use the hex wrench to loosen the hex bolt.

► **Fig.23:** 1. Shaft lock 2. Hex wrench 3. Tighten 4. Loosen

3. Remove the hex bolt, outer flange, and circular saw blade.

► **Fig.24:** 1. Hex bolt 2. Outer flange 3. Inner flange 4. Circular saw blade

WARNING: If the inner flange is removed, be sure to install it on the spindle. When installing, choose a correct side on which protrusion fits into the saw blade hole perfectly. Mounting the blade on the wrong side can result in the dangerous vibration.

To install the circular saw blade, follow the removal procedure in reverse. Depress the lock-off button to release the lock pin from the hole.

WARNING: BE SURE TO TIGHTEN THE HEX BOLT SECURELY. Also be careful not to tighten the bolt forcibly. Slipping your hand from the hex wrench can cause a personal injury.

Blade guard cleaning

When changing the circular saw blade, make sure to also clean the blade guard of accumulated sawdust as discussed in the Maintenance section. Such efforts do not replace the need to check guard operation before each use.

Connecting a vacuum cleaner

Optional accessory

When you wish to perform clean cutting operation, connect a Makita vacuum cleaner to your tool. Connect a hose of the vacuum cleaner to the dust nozzle using the front cuff 24.

- **Fig.25:** 1. Hose of the vacuum cleaner 2. Front cuff 24 3. Dust nozzle

OPERATION

⚠ CAUTION: Be sure to move the tool forward in a straight line gently. Forcing or twisting the tool will result in overheating the motor and dangerous kickback, possibly causing severe injury.

⚠ CAUTION: Never approach any part of your body under the tool base when section cutting, especially at starting. Doing so may cause serious personal injuries. The blade is exposed under the tool base.

NOTE: When the battery cartridge temperature is low, the tool may not work to its full capacity. At this time, for example, use the tool for a light-duty cut for a while until the battery cartridge warms up as high as room temperature. Then, the tool can work to its full capacity.

Section cutting (ordinary sawing)

- **Fig.26**

Hold the tool firmly. The tool is provided with both a front grip and rear handle. Use both to best grasp the tool. If both hands are holding saw, they cannot be cut by the circular saw blade. Set the base on the workpiece to be cut without the circular saw blade making any contact. Then push in the lock-off button and pull the switch trigger. Wait until the circular saw blade attains full speed. Now press down the saw head slowly to the preset depth of cut and simply move the tool forward over the workpiece surface, keeping it flat and advancing smoothly until the sawing is completed.

To get clean cuts, keep your sawing line straight and your speed of advance uniform. If the cut fails to properly follow your intended cut line, do not attempt to turn or force the tool back to the cut line. Doing so may bind the circular saw blade and lead to dangerous kickback and possible serious injury. Release the switch, wait for the circular saw blade to stop and then withdraw the tool. Realign the tool on new cut line, and start cut again. Attempt to avoid positioning which exposes operator to chips and wood dust being ejected from the saw. Use eye protection to help avoid injury.

Guide rail

Optional accessory

Place the tool on the rear end of guide rail. Turn two adjusting screws on the tool base so that the tool slides smoothly without a clatter. Hold both the front grip and rear handle of the tool firmly. Turn on the tool, press down the tool to the preset cutting depth and cut the splinter-guard along the full length with a stroke. Now the edge of the splinterguard corresponds to the cutting edge.

- **Fig.27:** 1. Adjusting screws

When bevel cutting with the guide rail, use the slide lever to prevent the tool from falling over. Move the slide lever on the tool base in the direction of arrow so that it engages the undercut groove in the guide rail.

- **Fig.28:** 1. Slide lever

Sub base (Guide rule)

Optional accessory

By using the sub base as a guide rule, you can perform extra-accurate straight cuts. Loosen the clamping screws and slide the sub base out from the tool then insert it upside down.

- **Fig.29:** 1. Clamping screw 2. Sub base

Simply slide the fence of the sub base snugly against the side of the workpiece and secure it in position with the clamping screws. It also makes repeated cuts of uniform width possible.

- **Fig.30:** 1. Clamping screw 2. Sub base

Plunge cutting (Cutting-out)

⚠ WARNING: To avoid a kickback, be sure to observe the following instructions.

- **Fig.31:** 1. Rear edge of tool base 2. Fixed stop

When using the tool without guide rail, place the tool on the workpiece with the rear edge of tool base against a fixed stop or equivalent which is devised by an operator.

When using the tool with guide rail, place the tool on the guide rail with the rear edge of tool base against a fixed stop or equivalent which is clamped on the guide rail.

Hold the tool firmly with one hand on the front grip and the other on the tool handle. Then push in the lock-off button and turn the tool on and wait until the blade attains full speed. Now press down the saw head slowly to the preset depth of cut and simply move the tool forward to the desired plunge position.

NOTE: The markings on the side of the blade guard show the absolute front and rear cutting points of the saw blade at the maximum cutting depth when using the guide rail.

- **Fig.32:** 1. Front cutting point 2. Rear cutting point

Guide device

Optional accessory

Use of the bevel guide allows exact miter cuts with angles and fitting works.

Use of the clamp ensures firm hold of workpiece on the table.

WIRELESS ACTIVATION FUNCTION

For DSP601 only

What you can do with the wireless activation function

The wireless activation function enables clean and comfortable operation. By connecting a supported vacuum cleaner to the tool, you can run the vacuum cleaner automatically along with the switch operation of the tool.

► Fig.33

To use the wireless activation function, prepare following items:

- A wireless unit
- A vacuum cleaner which supports the wireless activation function

The overview of the wireless activation function setting is as follows. Refer to each section for detail procedures.

1. Installing the wireless unit
2. Tool registration for the vacuum cleaner
3. Starting the wireless activation function

Installing the wireless unit

CAUTION: Place the tool on a flat and stable surface when installing the wireless unit.

NOTICE: Clean the dust and dirt on the tool before installing the wireless unit. Dust or dirt may cause malfunction if it comes into the slot of the wireless unit.

NOTICE: To prevent the malfunction caused by static, touch a static discharging material, such as a metal part of the tool, before picking up the wireless unit.

NOTICE: When installing the wireless unit, always be sure that the wireless unit is inserted in the correct direction and the lid is completely closed.

1. Open the lid on the tool as shown in the figure.
► Fig.34: 1. Lid
2. Insert the wireless unit to the slot and then close the lid.

When inserting the wireless unit, align the projections with the recessed portions on the slot.

- Fig.35: 1. Wireless unit 2. Projection 3. Lid
4. Recessed portion

When removing the wireless unit, open the lid slowly. The hooks on the back of the lid will lift the wireless unit as you pull up the lid.

- Fig.36: 1. Wireless unit 2. Hook 3. Lid

After removing the wireless unit, keep it in the supplied case or a static-free container.

NOTICE: Always use the hooks on the back of the lid when removing the wireless unit. If the hooks do not catch the wireless unit, close the lid completely and open it slowly again.

Tool registration for the vacuum cleaner

NOTE: A Makita vacuum cleaner supporting the wireless activation function is required for the tool registration.

NOTE: Finish installing the wireless unit to the tool before starting the tool registration.

NOTE: During the tool registration, do not pull the switch trigger or turn on the power switch on the vacuum cleaner.

NOTE: Refer to the instruction manual of the vacuum cleaner, too.

If you wish to activate the vacuum cleaner along with the switch operation of the tool, finish the tool registration beforehand.

1. Install the batteries to the vacuum cleaner and the tool.

2. Set the stand-by switch on the vacuum cleaner to "AUTO".

► Fig.37: 1. Stand-by switch

3. Press the wireless activation button on the vacuum cleaner for 3 seconds until the wireless activation lamp blinks in green. And then press the wireless activation button on the tool in the same way.

► Fig.38: 1. Wireless activation button 2. Wireless activation lamp

If the vacuum cleaner and the tool are linked successfully, the wireless activation lamps will light up in green for 2 seconds and start blinking in blue.

NOTE: The wireless activation lamps finish blinking in green after 20 seconds elapsed. Finish pressing the wireless activation button on the tool while the wireless activation lamp on the vacuum cleaner is blinking. If the wireless activation lamp does not blink in green, push the wireless activation button briefly and hold it down again.

NOTE: When performing two or more tool registrations for one vacuum cleaner, finish the tool registration one by one.

Starting the wireless activation function

NOTE: Finish the tool registration for the vacuum cleaner prior to the wireless activation.

NOTE: Refer to the instruction manual of the vacuum cleaner, too.

After registering a tool to the vacuum cleaner, the vacuum cleaner will automatically runs along with the switch operation of the tool.

1. Install the wireless unit to the tool.

2. Connect the hose of the vacuum cleaner with the tool.

► Fig.39

3. Set the stand-by switch on the vacuum cleaner to "AUTO".

► Fig.40: 1. Stand-by switch

4. Push the wireless activation button on the tool briefly. The wireless activation lamp will blink in blue.

► **Fig.41:** 1. Wireless activation button 2. Wireless activation lamp

5. Pull the switch trigger of the tool. Check if the vacuum cleaner runs while the switch trigger is being pulled.

To stop the wireless activation of the vacuum cleaner, push the wireless activation button on the tool.

NOTE: The wireless activation lamp on the tool will stop blinking in blue when there is no operation for 2 hours. In this case, set the stand-by switch on the vacuum cleaner to "AUTO" and push the wireless activation button on the tool again.

NOTE: The vacuum cleaner starts/stops with a delay. There is a time lag when the vacuum cleaner detects a switch operation of the tool.









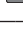
NOTE: The transmission distance of the wireless unit may vary depending on the location and surrounding circumstances.

NOTE: When two or more tools are registered to one vacuum cleaner, the vacuum cleaner may start running even if you don't pull the switch trigger because another user is using the wireless activation function.

Description of the wireless activation lamp status

► **Fig.42:** 1. Wireless activation lamp

The wireless activation lamp shows the status of the wireless activation function. Refer to the table below for the meaning of the lamp status.

| Status | Wireless activation lamp | | | Duration | Description |
|------------------------------|--------------------------|--|--|---------------------------|--|
| | Color |  On |  Blinking | | |
| Standby | Blue |  | | 2 hours | The wireless activation of the vacuum cleaner is available. The lamp will automatically turn off when no operation is performed for 2 hours. |
| | |  | | When the tool is running. | The wireless activation of the vacuum cleaner is available and the tool is running. |
| Tool registration | Green |  | | 20 seconds | Ready for the tool registration. Waiting for the registration by the vacuum cleaner. |
| | |  | | 2 seconds | The tool registration has been finished. The wireless activation lamp will start blinking in blue. |
| Cancelling tool registration | Red |  | | 20 seconds | Ready for the cancellation of the tool registration. Waiting for the cancellation by the vacuum cleaner. |
| | |  | | 2 seconds | The cancellation of the tool registration has been finished. The wireless activation lamp will start blinking in blue. |
| Others | Red |  | | 3 seconds | The power is supplied to the wireless unit and the wireless activation function is starting up. |
| | Off | - | | - | The wireless activation of the vacuum cleaner is stopped. |

Cancelling tool registration for the vacuum cleaner

Perform the following procedure when cancelling the tool registration for the vacuum cleaner.

1. Install the batteries to the vacuum cleaner and the tool.

2. Set the stand-by switch on the vacuum cleaner to "AUTO".

► **Fig.43:** 1. Stand-by switch

3. Press the wireless activation button on the vacuum cleaner for 6 seconds. The wireless activation lamp blinks in green and then become red. After that, press the wireless activation button on the tool in the same way.

► **Fig.44:** 1. Wireless activation button 2. Wireless activation lamp

If the cancellation is performed successfully, the wireless activation lamps will light up in red for 2 seconds and start blinking in blue.

NOTE: The wireless activation lamps finish blinking in red after 20 seconds elapsed. Finish pressing the wireless activation button on the tool while the wireless activation lamp on the vacuum cleaner is blinking. If the wireless activation lamp does not blink in red, push the wireless activation button briefly and hold it down again.

Troubleshooting for wireless activation function

Before asking for repairs, conduct your own inspection first. If you find a problem that is not explained in the manual, do not attempt to dismantle the tool. Instead, ask Makita Authorized Service Centers, always using Makita replacement parts for repairs.

| State of abnormality | Probable cause (malfunction) | Remedy |
|--|--|---|
| The wireless activation lamp does not light/blink. | The wireless unit is not installed into the tool. The wireless unit is improperly installed into the tool. | Install the wireless unit correctly. |
| | The terminal of the wireless unit and/or the slot is dirty. | Gently wipe off dust and dirt on the terminal of the wireless unit and clean the slot. |
| | The wireless activation button on the tool has not been pushed. | Push the wireless activation button on the tool briefly. |
| | The stand-by switch on the vacuum cleaner is not set to "AUTO". | Set the stand-by switch on the vacuum cleaner to "AUTO". |
| | No power supply | Supply the power to the tool and the vacuum cleaner. |
| Cannot finish tool registration / cancelling tool registration successfully. | The wireless unit is not installed into the tool. The wireless unit is improperly installed into the tool. | Install the wireless unit correctly. |
| | The terminal of the wireless unit and/or the slot is dirty. | Gently wipe off dust and dirt on the terminal of the wireless unit and clean the slot. |
| | The stand-by switch on the vacuum cleaner is not set to "AUTO". | Set the stand-by switch on the vacuum cleaner to "AUTO". |
| | No power supply | Supply the power to the tool and the vacuum cleaner. |
| | Incorrect operation | Push the wireless activation button briefly and perform the tool registration/cancellation procedures again. |
| | The tool and vacuum cleaner is away from each other (out of the transmission range). | Get the tool and vacuum cleaner closer to each other. The maximum transmission distance is approximately 10 m however it may vary according to the circumstances. |
| | Before finishing the tool registration/cancellation; - the switch trigger on the tool is pulled or; - the power button on the vacuum cleaner is turned on. | Push the wireless activation button briefly and perform the tool registration/cancellation procedures again. |
| | The tool registration procedures for the tool or vacuum cleaner has not finished. | Perform the tool registration procedures for both the tool and the vacuum cleaner at the same timing. |
| Radio disturbance by other appliances which generate high-intensity radio waves. | Keep the tool and vacuum cleaner away from the appliances such as Wi-Fi devices and microwave ovens. | |

| State of abnormality | Probable cause (malfunction) | Remedy |
|--|---|---|
| The vacuum cleaner does not run along with the switch operation of the tool. | The wireless unit is not installed into the tool. The wireless unit is improperly installed into the tool. | Install the wireless unit correctly. |
| | The terminal of the wireless unit and/or the slot is dirty. | Gently wipe off dust and dirt on the terminal of the wireless unit and clean the slot. |
| | The wireless activation button on the tool has not been pushed. | Push the wireless activation button briefly and make sure that the wireless activation lamp is blinking in blue. |
| | The stand-by switch on the vacuum cleaner is not set to "AUTO". | Set the stand-by switch on the vacuum cleaner to "AUTO". |
| | More than 10 tools are registered to the vacuum cleaner. | Perform the tool registration again. If more than 10 tools are registered to the vacuum cleaner, the tool registered earliest will be cancelled automatically. |
| | The vacuum cleaner erased all tool registrations. | Perform the tool registration again. |
| | No power supply | Supply the power to the tool and the vacuum cleaner. |
| | The tool and vacuum cleaner is away from each other (out of the transmission range). | Get the tool and vacuum cleaner closer each other. The maximum transmission distance is approximately 10 m however it may vary according to the circumstances. |
| | Radio disturbance by other appliances which generate high-intensity radio waves. | Keep the tool and vacuum cleaner away from the appliances such as Wi-Fi devices and microwave ovens. |
| The vacuum cleaner runs while the tool's switch trigger is not pulled. | Other users are using the wireless activation of the vacuum cleaner with their tools. | Turn off the wireless activation button of the other tools or cancel the tool registration of the other tools. |

MAINTENANCE

CAUTION: Always be sure that the tool is switched off and the battery cartridge is removed before attempting to perform inspection or maintenance.

CAUTION: Clean out the guard to ensure there is no accumulated sawdust which may impede the operation of the guarding system. A dirty guarding system may limit the proper operation which could result in serious personal injury. The most effective way to accomplish this cleaning is with compressed air. **If the dust is being blown out of the guard, be sure the proper eye and breathing protection is used.**

NOTICE: Never use gasoline, benzine, thinner, alcohol or the like. Discoloration, deformation or cracks may result.

Adjusting 0°-cut and 45°-cut accuracy

NOTICE: Do not engage the levers for -1° bevel angle when adjusting 0°-cut accuracy.

NOTICE: Do not engage the lever for 48° bevel angle when adjusting 45°-cut accuracy.

These adjustments have been made at the factory. But if they are off, you can adjust them as the following procedures.

1. Slightly loosen the clamping screws on the front and rear of the tool.
2. Adjust the blade angle.
▶ **Fig.45:** 1. Triangular rule

To adjust the 0°-cut accuracy, make the base perpendicular to the blade using a triangular rule, square rule, etc. by turning the adjusting bolt.

▶ **Fig.46:** 1. Adjusting bolt for 0°-cut

To adjust the 45°-cut accuracy, make the base 45° to the blade using a triangular rule by turning the adjusting bolt.

▶ **Fig.47:** 1. Adjusting bolt for 45°-cut

3. Tighten the clamping screws and make a test cut.

To maintain product SAFETY and RELIABILITY, repairs, any other maintenance or adjustment should be performed by Makita Authorized or Factory Service Centers, always using Makita replacement parts.

OPTIONAL ACCESSORIES

⚠ CAUTION: These accessories or attachments are recommended for use with your Makita tool specified in this manual. The use of any other accessories or attachments might present a risk of injury to persons. Only use accessory or attachment for its stated purpose.

If you need any assistance for more details regarding these accessories, ask your local Makita Service Center.

- Circular saw blade
- Sub base
- Hex wrench
- Guide rail
- Bevel guide
- Clamp
- Sheet
- Rubber sheet
- Position sheet
- Wireless unit (for DSP601)
- Makita genuine battery and charger

NOTE: Some items in the list may be included in the tool package as standard accessories. They may differ from country to country.

SPÉCIFICATIONS

| Modèle : | | DSP600 | DSP601 |
|--------------------------|-----------------|--|--------|
| Diamètre de lame | | 165 mm | |
| Profondeur max. de coupe | à 0° | 56 mm | |
| | en biseau à 45° | 40 mm | |
| | en biseau à 48° | 38 mm | |
| Vitesse à vide | | 2 500 à 6 300 min ⁻¹ | |
| Longueur totale | | 346 mm | |
| Tension nominale | | 36 V CC | |
| Batterie | | BL1815N, BL1820, BL1820B, BL1830, BL1830B, BL1840, BL1840B, BL1850, BL1850B, BL1860B | |
| Chargeur | | DC18RC, DC18RD, DC18SD, DC18SE, DC18SF | |
| Poids net | | 4,4 à 5,1 kg | |

- Étant donné l'évolution constante de notre programme de recherche et de développement, les spécifications contenues dans ce manuel sont sujettes à modification sans préavis.
- Les spécifications et la batterie peuvent être différentes suivant les pays.
- Le poids peut être différent selon les accessoires, notamment la batterie. Les associations la plus légère et la plus lourde, conformément à la procédure EPTA 01/2014, sont indiquées dans le tableau.

Utilisations

Cet outil est spécialement conçu pour effectuer des coupes en plongée. Cet outil est également conçu pour les coupes longitudinales et transversales dans le bois. Si l'outil est pourvu d'une lame de scie circulaire adéquate, il peut servir à scier de l'aluminium, du plastique, du plastique contenant des minéraux et des matériaux similaires.

Bruit

Niveau de bruit pondéré A typique, déterminé selon EN62841 :

Modèle DSP600

Niveau de pression sonore (L_{pA}) : 92 dB (A)
 Niveau de puissance sonore (L_{WA}) : 103 dB (A)
 Incertitude (K) : 3 dB (A)

Modèle DSP601

Niveau de pression sonore (L_{pA}) : 92 dB (A)
 Niveau de puissance sonore (L_{WA}) : 103 dB (A)
 Incertitude (K) : 3 dB (A)

⚠ AVERTISSEMENT : Portez un serre-tête antibruit.

Vibrations

Valeur totale de vibrations (somme de vecteur triaxial) déterminée selon EN62841 :

Modèle DSP600

Mode de travail : coupe de bois
 Émission de vibrations ($a_{h,w}$) : 2,5 m/s² ou moins
 Incertitude (K) : 1,5 m/s²

Mode de travail : découpe de métal
 Émission de vibrations ($a_{h,m}$) : 2,5 m/s² ou moins
 Incertitude (K) : 1,5 m/s²

Modèle DSP601

Mode de travail : coupe de bois
 Émission de vibrations ($a_{h,w}$) : 2,5 m/s² ou moins
 Incertitude (K) : 1,5 m/s²
 Mode de travail : découpe de métal
 Émission de vibrations ($a_{h,m}$) : 2,5 m/s² ou moins
 Incertitude (K) : 1,5 m/s²

NOTE : La valeur d'émission de vibrations déclarée a été mesurée conformément à la méthode de test standard et peut être utilisée pour comparer les outils entre eux.

NOTE : La valeur d'émission de vibrations déclarée peut aussi être utilisée pour l'évaluation préliminaire de l'exposition.

⚠ AVERTISSEMENT : L'émission de vibrations lors de l'usage réel de l'outil électrique peut être différente de la valeur d'émission déclarée, suivant la façon dont l'outil est utilisé.

⚠ AVERTISSEMENT : Les mesures de sécurité à prendre pour protéger l'utilisateur doivent être basées sur une estimation de l'exposition dans des conditions réelles d'utilisation (en tenant compte de toutes les composantes du cycle d'utilisation, comme par exemple le moment de sa mise hors tension, lorsqu'il tourne à vide et le moment de son déclenchement).

Déclaration de conformité CE

Pour les pays européens uniquement

La déclaration de conformité CE est fournie en Annexe A à ce mode d'emploi.

CONSIGNES DE SÉCURITÉ

Consignes de sécurité générales pour outils électriques

⚠ AVERTISSEMENT : Veuillez lire les consignes de sécurité, instructions, illustrations et spécifications qui accompagnent cet outil électrique. Le non-respect de toutes les instructions indiquées ci-dessous peut entraîner une électrocution, un incendie et/ou de graves blessures.

Conservez toutes les mises en garde et instructions pour référence ultérieure.

Le terme « outil électrique » dans les avertissements fait référence à l'outil électrique alimenté par le secteur (avec cordon d'alimentation) ou à l'outil électrique fonctionnant sur batterie (sans cordon d'alimentation).

Consignes de sécurité pour scie circulaire sans fil

Procédures de coupe

1. **⚠ DANGER :** Gardez vos mains à l'écart de la zone de coupe et de la lame. Laissez votre deuxième main sur la poignée auxiliaire ou le carter du moteur. La lame ne risquera pas de vous couper les mains si vous les utilisez toutes les deux pour tenir la scie.
2. **Ne placez aucune partie de votre corps sous la pièce à travailler.** Le carter de protection ne peut pas protéger l'utilisateur de la lame sous la pièce.
3. **Réglez la profondeur de coupe suivant l'épaisseur de la pièce à travailler.** La partie de la lame visible sous la pièce à travailler doit être moindre qu'une dent de lame complète.
4. **Ne tenez jamais la pièce avec les mains ou contre la jambe pendant la coupe.** Fixez la pièce sur une plate-forme stable. Il est important que la pièce soit soutenue convenablement, afin de minimiser l'exposition du corps, le grippage de la lame ou la perte de contrôle.

► Fig.1

5. **Tenez l'outil électrique par une surface de prise isolée, lorsque vous effectuez une tâche où l'outil de coupe pourrait toucher un câblage caché ou son propre cordon d'alimentation.** Le contact avec un fil « sous tension » mettra également « sous tension » les parties métalliques exposées de l'outil électrique, pouvant ainsi causer un choc électrique chez l'utilisateur.
6. **Lors du sciage en long, utilisez toujours un guide longitudinal ou un guide de chant.** La coupe sera plus précise et cela réduira les risques de pincement de la lame.
7. **Utilisez toujours des lames dont l'orifice central est de taille et de forme (diamantée ou circulaire) appropriée.** Les lames qui ne correspondent pas aux éléments de montage de la scie fonctionneront de manière décentrée, provoquant une perte de contrôle.

8. **N'utilisez jamais de rondelles ou boulons de la lame endommagés ou inadéquats.** Les rondelles et le boulon de la lame ont été conçus exclusivement pour votre scie, afin d'assurer une performance optimale et une utilisation sûre.

Causes des chocs en retour et avertissements concernant ces derniers

- le choc en retour est une réaction soudaine de l'outil lorsque la lame de scie est coincée, pincée ou désalignée, et la scie, hors de contrôle, se soulève alors et quitte la pièce en se dirigeant vers l'utilisateur ;
- lorsque la lame se coince ou est pincée fermement par le trait de scie qui se ferme sur elle, la lame se bloque et la réaction du moteur entraîne la projection de l'outil à grande vitesse vers l'utilisateur ;
- si la lame se tord ou se désaligne par rapport à la ligne de coupe, les dents arrière risquent de s'enfoncer dans la surface du bois et la lame de quitter le trait de scie en reculant brusquement vers l'utilisateur.

Le choc en retour est le résultat d'une mauvaise utilisation de la scie et/ou de procédures ou conditions d'utilisation incorrectes. On peut l'éviter en prenant des précautions adéquates, comme indiqué ci-dessous :

1. **Maintenez une poigne ferme à deux mains sur la scie, et placez vos bras de sorte qu'ils puissent résister à la force du choc en retour. Placez-vous d'un côté ou de l'autre de la lame, jamais dans sa ligne de coupe.** Le choc en retour peut faire bondir la scie vers l'arrière, mais la force du choc en retour peut être maîtrisée par l'utilisateur en prenant les précautions adéquates.
 2. **Si la lame se pince ou si vous interrompez la coupe pour une raison quelconque, libérez la gâchette et maintenez la scie immobile dans le matériau jusqu'à l'arrêt complet de la lame. N'essayez jamais de retirer la scie de la pièce ou de la faire reculer alors que la lame tourne encore, sous peine de provoquer un choc en retour.** Identifiez la cause du pincement de la lame et prenez les mesures correctives pour y remédier.
 3. **Avant de redémarrer la scie dans la pièce, centrez la lame de scie dans le trait de scie de sorte que les dents ne pénètrent pas dans le matériau.** Si une lame de scie coince, elle risque de remonter ou de reculer brutalement au moment du redémarrage de la scie.
 4. **Placez un dispositif de soutien sous les grands panneaux pour réduire les risques de pincement de la lame et de choc en retour.** Les panneaux de grande dimension ont tendance à s'affaisser sous leur propre poids. Des supports doivent être installés sous le panneau, des deux côtés, près de la ligne de coupe et près du bord du panneau.
- Fig.2
- Fig.3
5. **N'utilisez pas des lames émoussées ou endommagées.** Les lames mal affûtées ou mal posées produisent un trait de scie étroit, entraînant une friction excessive, le pincement de la lame et un choc en retour.

6. **Les leviers de verrouillage de la profondeur de coupe et du réglage de coupe en biseau doivent être serrés de manière ferme et sûre avant de procéder à la coupe.** Il y a risque de pincement et de choc en retour si les réglages de la lame changent pendant la coupe.
7. **Soyez tout particulièrement prudent lorsque vous sciez dans un mur ou autre surface derrière laquelle peuvent se trouver des objets non visibles.** La lame peut causer un choc en retour en entrant en contact avec ces objets.
8. **Tenez TOUJOURS l'outil fermement à deux mains. Ne placez JAMAIS la main, la jambe ou toute autre partie du corps sous la base de l'outil ou derrière la scie, particulièrement lors de coupes transversales.** En cas de choc en retour, la scie pourrait facilement bondir vers l'arrière et passer sur votre main, vous infligeant une blessure grave.
2. **N'essayez pas de retirer le matériau coupé pendant que la lame tourne. Attendez l'arrêt total de la lame avant de saisir le bout de matériau coupé.** La lame continue de tourner même une fois le contact coupé.
3. **Prenez garde aux clous pendant la coupe. Avant de couper dans le bois de construction, inspectez-le et retirez-en tous les clous.**
4. **Placez la partie la plus grande du socle de la scie sur la partie de la pièce qui est solidement soutenue, non sur celle qui tombera une fois la coupe terminée. Si la pièce est courte ou petite, placez-la dans un dispositif de serrage. N'ESSAYEZ PAS DE TENIR LES COURTES PIÈCES UNIQUEMENT AVEC LA MAIN !**

► **Fig.4**

9. **Ne forcez jamais la scie. Faites avancer la scie à une vitesse permettant à la lame de tourner sans perte de vitesse.** Le fait de forcer la scie peut résulter en des coupes inégales, une perte de précision et un choc en retour.

Fonctionnement du carter de protection

1. **Avant chaque utilisation, assurez-vous que le carter de protection ferme bien. N'utilisez pas la scie si le carter de protection ne se déplace pas librement et ne se referme pas immédiatement sur la lame. Évitez d'immobiliser ou de fixer le carter de protection en exposant la lame.** Si la scie tombe accidentellement, le carter de protection peut se tordre. Assurez-vous que le carter de protection se déplace librement sans entrer en contact avec la lame ou toute autre partie de l'outil, et ce quel que soit l'angle ou la profondeur de coupe.
2. **Vérifiez le fonctionnement et l'état du ressort de rappel du carter de protection. Le carter de protection et le ressort doivent être réparés avant l'utilisation s'ils ne fonctionnent pas correctement.** Le fonctionnement du carter de protection peut être ralenti par des pièces endommagées, des dépôts gluants ou l'accumulation de débris.
3. **Assurez-vous que la plaque de soutien de la scie ne se déplace pas lorsque vous effectuez une « coupe en plongée ».** Une lame se déplaçant de côté présente un risque de pincement et de choc en retour.
4. **Assurez-vous toujours que le carter de protection recouvre la lame avant de poser la scie sur l'établi ou le plancher.** Une lame non protégée et continuant à fonctionner par inertie entraînera la scie en arrière coupant tout ce qui se trouve sur sa trajectoire. N'oubliez pas qu'il faut un certain temps avant que la lame ne s'arrête une fois la gâchette libérée.

Consignes de sécurité supplémentaires

1. **Soyez encore plus prudent pour couper du bois mouillé, du bois traité sous pression ou du bois contenant des nœuds.** Pour éviter que le tranchant de la lame ne surchauffe, faites avancer l'outil à une vitesse régulière sans ralentissement de la vitesse de rotation de la lame et si vous coupez du plastique pour éviter que le plastique fonde.

► **Fig.5**

5. **Avant de déposer l'outil une fois la coupe terminée, assurez-vous que le carter de protection est fermé et que la lame est parfaitement immobile.**
6. **N'essayez jamais de scier en plaçant la scie circulaire à l'envers dans un étau. Cela est très dangereux et peut entraîner un accident grave.**

► **Fig.6**

7. **Certains matériaux contiennent des substances chimiques qui peuvent être toxiques. Prenez les précautions nécessaires pour ne pas inhaler les poussières qu'ils dégagent et pour éviter tout contact avec la peau. Respectez les données de sécurité du fabricant du matériau.**
8. **N'appliquez jamais de pression latérale sur la lame de scie pour l'arrêter.**
9. **N'utilisez pas de disques abrasifs.**
10. **Utilisez uniquement une lame de scie ayant le diamètre indiqué sur l'outil ou spécifié dans le mode d'emploi.** L'utilisation d'une taille incorrecte de lame peut affecter la protection de la lame ou le fonctionnement du carter de protection, ce qui pourrait provoquer de graves blessures.
11. **Maintenez la lame bien affûtée et propre.** Les dépôts de colle et les copeaux de bois qui durcissent contre la lame ralentissent la scie et entraînent une augmentation des risques de choc en retour. Pour nettoyer la lame, retirez-la d'abord de l'outil, puis nettoyez-la avec un décapant, de l'eau chaude ou du kérosène. N'utilisez jamais d'essence.
12. **Portez un masque antipoussières et des protections d'oreilles lorsque vous utilisez l'outil.**
13. **Utilisez toujours la lame de scie conçue pour la coupe du matériau de travail.**
14. **Utilisez uniquement des lames de scie sur lesquelles est indiquée une vitesse égale ou supérieure à la vitesse figurant sur l'outil.**
15. **(Pour les pays européens uniquement) Utilisez toujours une lame conforme à la norme EN847-1.**

CONSERVEZ CES INSTRUCTIONS.

⚠AVERTISSEMENT : NE vous laissez PAS tromper (au fil d'une utilisation répétée) par un sentiment d'aisance et de familiarité avec le produit, en négligeant le respect rigoureux des consignes de sécurité qui accompagnent le produit en question. La MAUVAISE UTILISATION de l'outil ou l'ignorance des consignes de sécurité indiquées dans ce mode d'emploi peut entraîner de graves blessures.

Consignes de sécurité importantes pour la batterie

1. Avant d'utiliser la batterie, lisez toutes les instructions et précautions relatives (1) au chargeur de batterie, (2) à la batterie, et (3) au produit utilisant la batterie.
2. Ne démontez pas la batterie.
3. Cessez immédiatement l'utilisation si le temps de fonctionnement devient excessivement court. Il y a risque de surchauffe, de brûlures, voire d'explosion.
4. Si l'électrolyte pénètre dans vos yeux, rincez-les à l'eau claire et consultez immédiatement un médecin. Il y a risque de perte de la vue.
5. Ne court-circuitez pas la batterie :
 - (1) Ne touchez les bornes avec aucun matériau conducteur.
 - (2) Évitez de ranger la batterie dans un conteneur avec d'autres objets métalliques, par exemple des clous, des pièces de monnaie, etc.
 - (3) N'exposez pas la batterie à l'eau ou à la pluie.

Un court-circuit de la batterie peut provoquer une intensité de courant élevée, une surchauffe, parfois des brûlures et même une panne.

6. Ne rangez pas l'outil et la batterie dans un endroit où la température risque d'atteindre ou de dépasser 50 °C.
7. Ne jetez pas la batterie au feu même si elle est sérieusement endommagée ou complètement épuisée. La batterie peut exploser au contact du feu.
8. Évitez de laisser tomber ou de cogner la batterie.
9. N'utilisez pas la batterie si elle est endommagée.
10. Les batteries au lithium-ion contenues sont soumises aux exigences de la législation sur les marchandises dangereuses.

Lors du transport commercial par des tierces parties ou des transitaires par exemple, des exigences spécifiques en matière d'étiquetage et d'emballage doivent être respectées.

Pour la préparation de l'article expédié, il est nécessaire de consulter un expert en matériau dangereux. Veuillez également respecter les réglementations nationales susceptibles d'être plus détaillées.

Recouvrez les contacts exposés avec du ruban adhésif ou du ruban de masquage et emballez la batterie de telle sorte qu'elle ne puisse pas bouger dans l'emballage.

11. Suivez les réglementations locales en matière de mise au rebut des batteries.

CONSERVEZ CES INSTRUCTIONS.

⚠ATTENTION : N'utilisez que des batteries Makita d'origine. L'utilisation de batteries de marque autre que Makita ou de batteries modifiées peut provoquer l'explosion des batteries, ce qui présente un risque d'incendie, de dommages matériels et corporels. Cela annulera également la garantie Makita pour l'outil et le chargeur Makita.

Conseils pour assurer la durée de vie optimale de la batterie

1. Chargez la batterie avant qu'elle ne soit complètement déchargée. Arrêtez toujours l'outil et rechargez la batterie quand vous remarquez que la puissance de l'outil diminue.
2. Ne rechargez jamais une batterie complètement chargée. La surcharge réduit la durée de service de la batterie.
3. Chargez la batterie à une température ambiante comprise entre 10 °C et 40 °C. Avant de charger une batterie chaude, laissez-la refroidir.
4. Rechargez la batterie si elle est restée inutilisée pendant une période prolongée (plus de six mois).

Consignes de sécurité importantes pour le connecteur sans fil

1. Ne démontez ni ne modifiez le connecteur sans fil.
2. Conservez le connecteur sans fil hors de portée des jeunes enfants. En cas d'ingestion accidentelle, consultez immédiatement un médecin.
3. Utilisez le connecteur sans fil uniquement avec des outils Makita.
4. N'exposez pas le connecteur sans fil à la pluie ou à l'humidité.
5. N'utilisez pas le connecteur sans fil dans un endroit où la température dépasse 50 °C.
6. Ne faites pas fonctionner le connecteur sans fil dans un endroit où des appareils médicaux comme des simulateurs cardiaques sont utilisés.
7. Ne faites pas fonctionner le connecteur sans fil dans un endroit où des appareils automatiques sont utilisés. Sinon, ces appareils pourraient présenter un dysfonctionnement ou une erreur.
8. Le connecteur sans fil peut produire des champs électromagnétiques (CEM), mais ceux-ci ne sont pas dangereux pour l'utilisateur.
9. Le connecteur sans fil est un instrument de précision. Évitez de laisser tomber ou de cogner le connecteur sans fil.

10. Évitez de toucher la borne du connecteur sans fil avec les mains nues ou avec des objets métalliques.
11. Retirez toujours la batterie de l'outil avant d'installer le connecteur sans fil.
12. Évitez d'ouvrir le couvercle de la fente dans un endroit où de la poussière ou de l'eau pourrait pénétrer dans la fente. Maintenez toujours propre l'entrée de la fente.
13. Insérez toujours le connecteur sans fil dans le bon sens.
14. N'appuyez pas trop fort sur le bouton d'activation sans fil du connecteur sans fil, ni n'appuyez dessus avec un objet pointu.
15. Fermez toujours le couvercle de la fente pendant le fonctionnement.
16. **Ne retirez pas le connecteur sans fil de la fente alors que l'outil est sous tension.** Vous risqueriez de provoquer un dysfonctionnement du connecteur sans fil.
17. **Ne retirez pas l'autocollant du connecteur sans fil.**
18. **Ne placez pas d'autocollant sur le connecteur sans fil.**
19. **Ne laissez pas le connecteur sans fil dans un endroit susceptible de générer de l'électricité statique ou du bruit électrique.**
20. **Ne laissez pas le connecteur sans fil dans un endroit soumis à une forte chaleur, comme une voiture en plein soleil.**
21. **Ne laissez pas le connecteur sans fil dans un endroit poussiéreux ou sablonneux ou dans un endroit susceptible de générer des gaz corrosifs.**
22. **De la condensation peut se former sur le connecteur sans fil en cas de brusque changement de température. N'utilisez pas le connecteur sans fil tant que la condensation n'a pas complètement séché.**
23. **Pour nettoyer le connecteur sans fil, essuyez-le délicatement avec un chiffon doux et sec. N'utilisez pas de benzine, diluant, graisse conductrice ou autre.**
24. **Rangez le connecteur sans fil en le conservant dans l'étui fourni ou dans un récipient anti-statique.**
25. **N'insérez pas d'autres dispositifs que le connecteur sans fil Makita dans la fente sur l'outil.**
26. **N'utilisez pas l'outil si le couvercle de la fente est endommagé.** L'eau, la poussière ou la saleté pourraient pénétrer dans la fente provoquant un dysfonctionnement.
27. **Ne tirez, ni ne tordez plus que nécessaire le couvercle de la fente.** Remettez le couvercle en place s'il se détache de l'outil.
28. **Remplacez le couvercle de la fente si vous le perdez ou l'endommagez.**

CONSERVEZ CES INSTRUCTIONS.

DESCRIPTION DU FONCTIONNEMENT

⚠ ATTENTION : Assurez-vous toujours que l'outil est hors tension et que sa batterie est retirée avant de l'ajuster ou de vérifier son fonctionnement.

Insertion ou retrait de la batterie

⚠ ATTENTION : Éteignez toujours l'outil avant de mettre en place ou de retirer la batterie.

⚠ ATTENTION : Tenez fermement l'outil et la batterie lors de la mise en place ou du retrait de la batterie. Si vous ne tenez pas fermement l'outil et la batterie, ils peuvent vous glisser des mains, et s'abîmer ou vous blesser.

► Fig.7: 1. Voyant rouge 2. Bouton 3. Batterie

Pour retirer la batterie, faites-la glisser hors de l'outil tout en faisant glisser le bouton à l'avant de la batterie.

Pour mettre en place la batterie, alignez la languette sur la batterie avec la rainure sur le compartiment et insérez-la. Insérez-la à fond jusqu'à ce qu'un léger déclic se fasse entendre. Si le voyant rouge sur le dessus du bouton est visible, cela signifie qu'elle n'est pas bien verrouillée.

⚠ ATTENTION : Insérez toujours complètement la batterie jusqu'à ce que le voyant rouge ne soit plus visible. Sinon, elle pourrait tomber accidentellement de l'outil, au risque de vous blesser ou de blesser quelqu'un se trouvant près de vous.

⚠ ATTENTION : N'insérez pas la batterie de force. Si elle ne glisse pas facilement, c'est que vous ne l'insérez pas correctement.

NOTE : L'outil ne peut pas fonctionner avec une seule batterie.

Système de protection de l'outil/la batterie

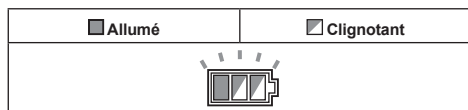
L'outil est équipé d'un système de protection de l'outil/la batterie. Ce système coupe automatiquement l'alimentation vers le moteur pour prolonger la durée de vie de l'outil et de la batterie. Si l'outil ou la batterie se trouve dans l'une des situations suivantes, l'outil cessera automatiquement de fonctionner. Dans certaines situations, les témoins s'allument.

Protection contre la surcharge

Lorsque l'outil est utilisé d'une manière provoquant un appel de courant anormalement élevé, il s'arrête automatiquement. Dans ce cas, éteignez l'outil et arrêtez la tâche ayant provoqué la surcharge de l'outil. Puis rallumez l'outil pour reprendre la tâche.

Protection contre la surchauffe

En cas de surchauffe de l'outil, celui-ci s'arrête automatiquement et le témoin de la batterie clignote pendant 60 secondes environ. Dans ce cas, laissez l'outil refroidir avant de le rallumer.







Protection contre la décharge totale de la batterie

Lorsque la charge restante de la batterie devient très faible, l'outil s'arrête automatiquement. Si le produit ne fonctionne pas même en actionnant les boutons, retirez les batteries de l'outil et chargez-les.

Indication de la charge restante de la batterie

- **Fig.8:** 1. Témoin de la batterie (pour la batterie supérieure) 2. Bouton de vérification 3. Témoin de la batterie (pour la batterie inférieure)

Appuyez sur le bouton de vérification pour indiquer la charge restante de la batterie. Les témoins de batterie correspondent à chaque batterie.

| Statut du témoin de la batterie | | | Charge restante de la batterie |
|---|---------------------------------|--|--------------------------------|
| <input type="checkbox"/> Allumé | <input type="checkbox"/> Éteint | <input checked="" type="checkbox"/> Clignotant | |
|  | | | 50 % à 100 % |
|  | | | 20 % à 50 % |
|  | | | 0 % à 20 % |
|  | | | Chargez la batterie |

Indication de la charge restante de la batterie

Uniquement pour les batteries avec voyant lumineux

- **Fig.9:** 1. Témoins 2. Bouton de vérification

Appuyez sur le bouton de vérification sur la batterie pour indiquer la charge restante de la batterie. Les témoins s'allument pendant quelques secondes.

| Témoins | | | Charge restante |
|--|-------------------------------------|--|-----------------------------------|
| <input checked="" type="checkbox"/> Allumé | <input type="checkbox"/> Éteint | <input checked="" type="checkbox"/> Clignotant | |
| <input checked="" type="checkbox"/> | <input checked="" type="checkbox"/> | <input checked="" type="checkbox"/> | 75 % à 100 % |
| <input checked="" type="checkbox"/> | <input checked="" type="checkbox"/> | <input type="checkbox"/> | 50 % à 75 % |
| <input checked="" type="checkbox"/> | <input type="checkbox"/> | <input type="checkbox"/> | 25 % à 50 % |
| <input checked="" type="checkbox"/> | <input type="checkbox"/> | <input type="checkbox"/> | 0 % à 25 % |
| <input checked="" type="checkbox"/> | <input type="checkbox"/> | <input type="checkbox"/> | Chargez la batterie. |
| <input checked="" type="checkbox"/> | <input checked="" type="checkbox"/> | <input type="checkbox"/> | Anomalie possible de la batterie. |
| <input type="checkbox"/> | <input type="checkbox"/> | <input checked="" type="checkbox"/> | |

NOTE : Selon les conditions d'utilisation et la température ambiante, l'indication peut être légèrement différente de la capacité réelle.

Fonction de changement automatique de vitesse

NOTE : La fonction de changement automatique de vitesse est disponible uniquement lorsque le cadran de réglage de la vitesse est sur 5.

Cet outil est pourvu d'un « mode grande vitesse » et d'un « mode couple élevé ».

L'outil change automatiquement de mode de fonctionnement en fonction de la charge de travail. Lorsque la charge de travail est faible, l'outil fonctionne en « mode grande vitesse » pour une découpe plus rapide. Lorsque la charge de travail est élevée, l'outil fonctionne en « mode couple élevé » pour une découpe puissante.

- **Fig.10:** 1. Témoin de mode

Le témoin de mode s'allume en vert lorsque l'outil fonctionne en « mode couple élevé ».

Si l'outil est utilisé avec une charge excessive, le témoin de mode clignote en vert. Le témoin de mode cesse de clignoter, puis s'allume ou s'éteint si vous réduisez la charge sur l'outil.

| Statut du témoin de mode | | | Mode de fonctionnement |
|--|---------------------------------|--|----------------------------|
| <input checked="" type="checkbox"/> Allumé | <input type="checkbox"/> Éteint | <input checked="" type="checkbox"/> Clignotant | |
| <input checked="" type="checkbox"/> | <input type="checkbox"/> | <input type="checkbox"/> | Mode grande vitesse |
| <input checked="" type="checkbox"/> | <input type="checkbox"/> | <input checked="" type="checkbox"/> | Mode couple élevé |
| <input checked="" type="checkbox"/> | <input type="checkbox"/> | <input checked="" type="checkbox"/> | Alerte en cas de surcharge |

Réglage de la profondeur de coupe

⚠ ATTENTION : Après avoir ajusté la profondeur de coupe, serrez toujours fermement la vis de serrage.

Desserrez la vis de serrage sur le guide de profondeur et déplacez la butée de limite inférieure de la lame sur la profondeur souhaitée sur la plaque graduée. À la profondeur de coupe souhaitée, serrez fermement la vis de serrage. Pour obtenir des coupes plus propres et plus sûres, réglez la profondeur de coupe de sorte que pas plus d'une dent de lame ne dépasse sous la pièce. L'utilisation d'une profondeur de coupe adéquate aide à réduire les risques de dangereux CHOCS EN RETOUR et de blessures.

► **Fig.11:** 1. Butée de limite inférieure de la lame
2. Vis de serrage

Bouton d'arrêt rapide pour les profondeurs de coupe de 2 à 3 mm lorsque le rail de guidage est utilisé (accessoire en option)

Cet outil est pourvu d'un bouton d'arrêt rapide pour les profondeurs de coupe de 2 à 3 mm sur le carter d'engrenage à côté de la poignée arrière lorsque le rail de guidage est utilisé. Il sert pour éviter de fendre la pièce lors de la coupe. Faites une première passe avec une profondeur de coupe de 2 à 3 mm, puis une autre passe ordinaire.

► **Fig.12:** 1. Bouton d'arrêt rapide

Pour obtenir la profondeur de coupe de 2 à 3 mm, poussez le bouton d'arrêt rapide contre la lame de scie. Cela est pratique pour éviter de fendre la pièce. Pour dégager la profondeur de coupe de cette position et effectuer une coupe de profondeur libre, il vous suffit de ramener le bouton vers l'arrière.

Coupe en biseau

Desserrez les vis de serrage. Faites le réglage en inclinant selon l'angle souhaité, puis serrez fermement les vis de serrage.

► **Fig.13:** 1. Vis de serrage 2. Plaque graduée de biseau

► **Fig.14:** 1. Socle secondaire (Accessoire en option)
2. Vis de serrage

Butée positive

La butée positive est pratique pour régler rapidement l'angle souhaité. Tournez la butée positive de sorte que la flèche dessus soit dirigée vers 22,5°. Desserrez les vis de serrage à l'avant et à l'arrière. Puis inclinez la lame jusqu'à ce qu'elle s'arrête et fixez le socle en place avec les vis de serrage.

► **Fig.15:** 1. Butée positive 2. Vis de serrage

Coupe en biseau de 48°

Pour effectuer une coupe en biseau de 48°, desserrez les vis de serrage et inclinez complètement le levier dans le sens de la flèche sur la figure. Puis réglez l'angle de biseau à 48° et serrez les vis de serrage.

► **Fig.16:** 1. Levier

Coupe en biseau de -1°

Pour effectuer une coupe en biseau de -1°, desserrez les vis de serrage et poussez les leviers dans le sens de la flèche sur la figure. Puis réglez l'angle de biseau à -1° et serrez les vis de serrage.

► **Fig.17:** 1. Levier

Visée

► **Fig.18:** 1. Socle

Le trait de coupe dépend de l'angle de coupe et de votre utilisation ou non du rail de guidage (accessoire en option).

Lorsque vous utilisez l'outil sans le rail de guidage

Pour les coupes rectilignes, alignez la position A à l'avant du socle sur le trait de coupe. Pour les coupes en biseau de 45°, alignez la position B sur ce même trait.

Lorsque vous utilisez l'outil avec le rail de guidage

Pour les coupes rectilignes et les coupes en biseau de 45°, alignez toujours la position A à l'avant du socle sur le trait de coupe.

Fonctionnement de la gâchette

⚠ AVERTISSEMENT : Avant d'insérer la batterie dans l'outil, vérifiez toujours que la gâchette fonctionne bien et revient en position d'arrêt lorsque vous la relâchez.

⚠ AVERTISSEMENT : NE bloquez JAMAIS le bouton de sécurité avec du ruban ou de toute autre manière. Une gâchette dont le bouton de sécurité est bloqué comporte un risque d'activation accidentelle pouvant entraîner de graves blessures.

⚠ AVERTISSEMENT : N'utilisez JAMAIS l'outil s'il se met en marche lorsque vous enclenchez simplement la gâchette sans avoir enfoncé le bouton de sécurité. Une gâchette devant être réparée comporte un risque d'activation accidentelle pouvant entraîner de graves blessures. Confiez l'outil à un centre d'entretien Makita pour le faire réparer AVANT de poursuivre l'utilisation.

Un bouton de sécurité a été prévu pour éviter l'activation accidentelle de la gâchette. Pour démarrer l'outil, enfoncez le bouton de sécurité puis enclenchez la gâchette. Pour arrêter l'outil, relâchez la gâchette.

► **Fig.19:** 1. Gâchette 2. Bouton de sécurité

REMARQUE : Évitez d'appuyer sur la gâchette avec force lorsque le bouton de sécurité n'est pas enfoncé. Vous risqueriez de briser la gâchette.

Cadran de réglage de la vitesse

La vitesse de l'outil peut être réglée en tournant le cadran de réglage. La vitesse de rotation de la lame augmente à mesure que vous augmentez le numéro sur le cadran de réglage de la vitesse.

► **Fig.20:** 1. Cadran de réglage de la vitesse

Reportez-vous au tableau pour sélectionner la vitesse qui convient à la pièce à couper. La vitesse adéquate peut toutefois varier suivant le type de matériau ou l'épaisseur de la pièce. En général, les vitesses rapides permettent de couper les pièces plus rapidement, mais cela réduit la durée de service de la lame.

| Numéro | Vitesse de rotation de la lame par minute (min ⁻¹) |
|--------|--|
| 1 | 2 500 min ⁻¹ |
| 2 | 2 900 min ⁻¹ |
| 3 | 3 900 min ⁻¹ |
| 4 | 4 900 min ⁻¹ |
| 5 | 6 300 min ⁻¹ |

⚠ ATTENTION : Le cadran de réglage de la vitesse n'est pas prévu pour l'utilisation de lames basse vitesse, mais pour obtenir une vitesse adaptée au matériau de la pièce. Utilisez uniquement des lames de scie conçues pour au moins la vitesse à vide maximum indiquée dans les SPÉCIFICATIONS.

REMARQUE : Le cadran de réglage de la vitesse ne peut pas être tourné plus haut que 5 ou plus bas que 1. N'essayez pas de le placer au-delà de 5 ou en dessous de 1, sinon le réglage de la vitesse risque de ne plus fonctionner.

Fonction électronique

Les caractéristiques suivantes facilitent l'utilisation des outils munis de fonctions électroniques.

Limiteur de surcharge

En cas de surcharge de l'outil et si le courant circule au-dessus d'un certain niveau, l'outil s'arrête automatiquement pour protéger le moteur électrique.

Commande de vitesse constante

Commande électronique de la vitesse pour obtenir une vitesse constante. Permet d'obtenir une finition précise puisque la vitesse de rotation est maintenue constante même en condition de charge.

Fonction de démarrage en douceur

La suppression du choc de démarrage permet un démarrage en douceur.

ASSEMBLAGE

⚠ ATTENTION : Assurez-vous toujours que l'outil est hors tension et que sa batterie est retirée avant d'effectuer toute tâche dessus.

Rangement de la clé hexagonale

Lorsque vous n'utilisez pas la clé hexagonale, rangez-la tel qu'indiqué sur l'illustration pour éviter de la perdre.

► Fig.21: 1. Clé hexagonale

Dépose ou pose de la lame de scie circulaire

⚠ ATTENTION : Assurez-vous que la lame de scie circulaire est installée avec les dents orientées vers le haut à l'avant de l'outil.

⚠ ATTENTION : Utilisez exclusivement la clé Makita pour poser ou retirer la lame de scie circulaire.

Pour déposer la lame de scie circulaire :

1. Enfoncez le bouton de sécurité et abaissez un peu la poignée. Tournez le levier de verrouillage et abaissez la poignée jusqu'à ce que la goupille de sécurité entre dans l'orifice.

► Fig.22: 1. Bouton de sécurité 2. Levier de verrouillage 3. Goupille de sécurité 4. Orifice pour goupille de sécurité

2. Enfoncez complètement le blocage de l'arbre de sorte que la lame ne puisse pas tourner et utilisez la clé hexagonale pour desserrer le boulon hexagonal.

► Fig.23: 1. Blocage de l'arbre 2. Clé hexagonale 3. Serrer 4. Desserrer

3. Retirez le boulon hexagonal, le flasque extérieur et la lame de scie circulaire.

► Fig.24: 1. Boulon hexagonal 2. Flasque extérieur 3. Flasque intérieur 4. Lame de scie circulaire

⚠ AVERTISSEMENT : Si le flasque intérieur a été retiré, veillez à l'installer sur la broche. Lors de l'installation, choisissez le bon côté sur lequel la partie saillante s'engage parfaitement dans l'orifice de la lame de scie. La fixation de la lame du mauvais côté peut provoquer des vibrations dangereuses.

Pour installer la lame de scie circulaire, suivez la procédure de retrait en sens inverse. Enfoncez le bouton de sécurité pour dégager la goupille de sécurité de l'orifice.

⚠ AVERTISSEMENT : VEILLEZ À SERRER SOLIDEMENT LE BOULON HEXAGONAL. Prenez également soin de ne pas forcer en serrant le boulon. Vous risquez de vous blesser si votre main s'échappe de la clé hexagonale.

Nettoyage du carter de protection

Lorsque vous changez la lame de scie circulaire, n'oubliez pas d'enlever également la sciure de bois accumulée sur le protecteur de lame comme indiqué dans la section Entretien. Même après ce nettoyage, vous devez vérifier le bon fonctionnement du carter de protection avant chaque utilisation.

Raccordement à un aspirateur

Accessoire en option

Pour effectuer une opération de coupe propre, raccordez un aspirateur Makita à l'outil. Raccordez le tuyau de l'aspirateur au raccord à poussière au moyen des manchons avant 24.

► Fig.25: 1. Tuyau de l'aspirateur 2. Manchons avant 24 3. Raccord à poussière

UTILISATION

⚠ ATTENTION : Assurez-vous de déplacer l'outil doucement vers l'avant, en ligne droite. Le fait de forcer ou de tordre l'outil entraînera une surchauffe du moteur et un dangereux choc en retour, risquant de provoquer une blessure grave.

⚠ ATTENTION : N'approchez aucune partie du corps sous le socle de l'outil lors de coupes en section, particulièrement au démarrage. Cela pourrait provoquer de graves blessures corporelles. La lame est exposée sous le socle de l'outil.

NOTE : Si la température de la batterie est basse, il se peut que l'outil ne fonctionne pas à son plein potentiel. Pour l'instant, par exemple, utilisez l'outil pour une coupe légère pendant un moment jusqu'à ce que la batterie soit à température ambiante. Ensuite, l'outil peut fonctionner à son plein potentiel.

Coupes en section (sciage normal)

► Fig.26

Tenez l'outil fermement. L'outil comporte une poignée avant et une poignée arrière. Utilisez les deux poignées pour mieux tenir l'outil. De plus, lorsque la scie est saisie à deux mains, celles-ci ne risquent pas d'être coupées par la lame de scie circulaire. Placez le socle de l'outil sur la pièce à couper de sorte que la lame de scie circulaire n'entre pas en contact avec quoi que ce soit. Puis enfoncez le bouton de sécurité et enclenchez la gâchette. Attendez que la lame de scie circulaire atteigne sa pleine vitesse. À présent, poussez lentement la tête de scie jusqu'à la profondeur de coupe prédéfinie et déplacez simplement l'outil vers l'avant sur la surface de la pièce, en le maintenant à plat et en le faisant avancer doucement jusqu'à ce que le sciage soit terminé.

Pour obtenir des coupes propres, maintenez la ligne de sciage bien droite et la vitesse de progression constante. Si la lame dévie de la ligne de coupe prévue, ne tentez pas de modifier la course de l'outil pour le forcer à revenir sur la ligne de coupe. Vous risqueriez de plier la lame de scie circulaire et de provoquer un dangereux choc en retour pouvant causer de graves blessures. Relâchez la gâchette, attendez jusqu'à l'arrêt de la lame de scie circulaire, puis retirez l'outil. Réalignez l'outil sur une nouvelle ligne de coupe, puis poursuivez la coupe. Évitez toute position vous exposant aux copeaux et poussières de bois éjectés par la scie. Portez une protection oculaire afin d'éviter les blessures.

Rail de guidage

Accessoire en option

Placez l'outil sur l'extrémité arrière du rail de guidage. Tournez deux vis de réglage sur le socle de l'outil de sorte que celui-ci glisse en douceur sans cliquetis. Tenez à la fois la poignée avant et la poignée arrière de l'outil fermement. Mettez l'outil sous tension, poussez l'outil jusqu'à la profondeur de coupe prédéfinie et coupez le long du pare-éclats, en une seule passe, sur toute la longueur. À présent, le bord du pare-éclats correspond à la position du tranchant.

► Fig.27: 1. Vis de réglage

Lors de la coupe en biseau avec le rail de guidage, utilisez le levier coulissant pour empêcher l'outil de basculer. Déplacez le levier coulissant sur le socle de l'outil dans le sens de la flèche de sorte qu'il s'engage dans la rainure de dégagement sur le rail de guidage.

► Fig.28: 1. Levier coulissant

Socle secondaire (règle de guidage)

Accessoire en option

En vous servant du socle secondaire comme d'une règle de guidage, vous pouvez effectuer des coupes rectilignes encore plus précises. Desserrez les vis de serrage et faites glisser le socle secondaire hors de l'outil, puis insérez-le à l'envers.

► Fig.29: 1. Vis de serrage 2. Socle secondaire

Faites simplement glisser le guide du socle secondaire le long du côté de la pièce en le maintenant en position à l'aide des vis de serrage. Cela permet également d'effectuer plusieurs coupes d'une largeur uniforme.

► Fig.30: 1. Vis de serrage 2. Socle secondaire

Coupe en plongée (découpage)

⚠ AVERTISSEMENT : Pour éviter un choc en retour, vous devez respecter les instructions suivantes.

► Fig.31: 1. Bord arrière du socle de l'outil 2. Butée fixe

Lorsque vous utilisez l'outil sans le rail de guidage, placez l'outil sur la pièce avec le bord arrière du socle de l'outil contre une butée fixe ou un dispositif similaire conçu par l'utilisateur.

Lorsque vous utilisez l'outil avec le rail de guidage, placez l'outil sur le rail de guidage avec le bord arrière du socle de l'outil contre une butée fixe ou un dispositif similaire fixé sur le rail de guidage.

Tenez fermement l'outil avec une main sur la poignée avant et l'autre main sur la poignée de l'outil. Enfoncez ensuite le bouton de sécurité et mettez l'outil sous tension, puis attendez que la lame atteigne sa pleine vitesse. À présent, poussez lentement la tête de scie jusqu'à la profondeur de coupe prédéfinie et déplacez simplement l'outil vers l'avant sur la position de plongée souhaitée.

NOTE : Les marquages sur le côté du protecteur de lame indiquent les points de coupe avant et arrière absolus de la lame de scie à la profondeur de coupe maximale lorsque le rail de guidage est utilisé.

► Fig.32: 1. Point de coupe avant 2. Point de coupe arrière

Dispositif guide

Accessoire en option

L'utilisation du guide pour biseau permet des coupes d'onglet exactes pour les travaux en angle et de raccord.

L'utilisation de la pince garantit un maintien ferme de la pièce sur la table.

FONCTION D'ACTIVATION SANS FIL

Pour le DSP601 uniquement

À quoi sert la fonction d'activation sans fil

La fonction d'activation sans fil offre un fonctionnement propre et confortable. En raccordant un aspirateur compatible à l'outil, vous pouvez déclencher automatiquement l'aspirateur en utilisant l'interrupteur de l'outil.

► Fig.33

Pour utiliser la fonction d'activation sans fil, préparez les éléments suivants :

- Un connecteur sans fil
- Un aspirateur compatible avec la fonction d'activation sans fil

Vous trouverez ci-après une vue d'ensemble de la fonction d'activation sans fil. Consultez chaque section pour en savoir plus sur la marche à suivre.

1. Installation du connecteur sans fil
2. Enregistrement de l'outil pour l'aspirateur
3. Démarrage de la fonction d'activation sans fil

Installation du connecteur sans fil

ATTENTION : Placez l'outil sur une surface plane et stable pour y installer le connecteur sans fil.

REMARQUE : Retirez la poussière et la saleté sur l'outil avant d'installer le connecteur sans fil. La poussière ou la saleté peuvent provoquer des dysfonctionnements si elles pénètrent dans la fente sur le connecteur sans fil.

REMARQUE : Pour éviter un dysfonctionnement provoqué par l'électricité statique, touchez un matériau conducteur comme la partie métallique de l'outil, avant de prendre dans vos mains le connecteur sans fil.

REMARQUE : Lorsque vous installez le connecteur sans fil, veillez toujours à l'insérer dans le bon sens et assurez-vous que le couvercle est complètement fermé.

1. Ouvrez le couvercle sur l'outil comme illustré sur la figure.
- Fig.34: 1. Couvercle

2. Insérez le connecteur sans fil dans la fente, puis refermez le couvercle.

Lors de l'insertion du connecteur sans fil, alignez les parties saillantes avec les parties creuses sur la fente.

- Fig.35: 1. Connecteur sans fil 2. Partie saillante 3. Couvercle 4. Partie creuse

Pour retirer le connecteur sans fil, ouvrez lentement le couvercle. Les crochets au dos du couvercle soulèveront le connecteur sans fil à mesure que vous tirez le couvercle vers le haut.

- Fig.36: 1. Connecteur sans fil 2. Crochet 3. Couvercle

Après avoir retiré le connecteur sans fil, gardez-le dans l'étui fourni ou dans un récipient anti-statique.

REMARQUE : Utilisez toujours les crochets au dos du couvercle lorsque vous retirez le connecteur sans fil. Si les crochets ne s'attachent pas au connecteur sans fil, fermez complètement le couvercle, puis rouvrez-le lentement.

Enregistrement de l'outil pour l'aspirateur

NOTE : Un aspirateur Makita compatible avec la fonction d'activation sans fil est nécessaire pour l'enregistrement de l'outil.

NOTE : Terminez la mise en place du connecteur sans fil sur l'outil avant de commencer l'enregistrement de l'outil.

NOTE : Pendant l'enregistrement de l'outil, n'enclenchez pas la gâchette, ni ne mettez sous tension l'aspirateur.

NOTE : Consultez aussi le mode d'emploi de l'aspirateur.

Si vous souhaitez activer l'aspirateur en utilisant l'interrupteur de l'outil, terminez d'abord l'enregistrement de l'outil.

1. Insérez les batteries dans l'aspirateur et l'outil.
2. Placez le bouton de veille de l'aspirateur sur « AUTO ».

► Fig.37: 1. Bouton de veille

3. Appuyez sur le bouton d'activation sans fil de l'aspirateur pendant 3 secondes jusqu'à ce que le témoin d'activation sans fil clignote en vert. Puis appuyez sur le bouton d'activation sans fil de l'outil de la même façon.

► Fig.38: 1. Bouton d'activation sans fil 2. Témoin d'activation sans fil

Si la liaison entre l'aspirateur et l'outil est réussie, les témoins d'activation sans fil s'allumeront en vert pendant 2 secondes et se mettront à clignoter en bleu.

NOTE : Les témoins d'activation sans fil cessent de clignoter en vert au bout de 20 secondes. Appuyez sur le bouton d'activation sans fil de l'outil pendant que le témoin d'activation sans fil de l'aspirateur clignote. Si le témoin d'activation sans fil ne clignote pas en vert, appuyez brièvement sur le bouton d'activation sans fil et maintenez-le à nouveau enfoncé.

NOTE : Si vous effectuez plus de deux enregistrements d'outils pour un seul aspirateur, terminez-les l'un après l'autre.

Démarrage de la fonction d'activation sans fil

NOTE : Terminez l'enregistrement de l'outil pour l'aspirateur avant l'activation sans fil.

NOTE : Consultez aussi le mode d'emploi de l'aspirateur.

Après avoir enregistré un outil sur l'aspirateur, ce dernier se déclenchera automatiquement en utilisant l'interrupteur de l'outil.

1. Installez le connecteur sans fil sur l'outil.
 2. Raccordez le tuyau de l'aspirateur à l'outil.
► **Fig.39**
 3. Placez le bouton de veille de l'aspirateur sur « AUTO ».
► **Fig.40:** 1. Bouton de veille
 4. Appuyez brièvement sur le bouton d'activation sans fil sur l'outil. Le témoin d'activation sans fil clignote en bleu.
► **Fig.41:** 1. Bouton d'activation sans fil 2. Témoin d'activation sans fil
 5. Enclenchez la gâchette de l'outil. Vérifiez que l'aspirateur fonctionne alors que la gâchette est enclenchée.
- Pour arrêter l'activation sans fil de l'aspirateur, appuyez sur le bouton d'activation sans fil de l'outil.

NOTE : Le témoin d'activation sans fil de l'outil cessera de clignoter en bleu en l'absence d'opérations pendant 2 heures. Dans ce cas, placez le bouton de veille de l'aspirateur sur « AUTO » et appuyez à nouveau sur le bouton d'activation sans fil de l'outil.

NOTE : L'aspirateur démarre/s'arrête avec un léger retard. Il y a un décalage lorsque l'aspirateur détecte l'utilisation de l'interrupteur de l'outil.










NOTE : La distance de transmission du connecteur sans fil peut varier selon l'emplacement et les conditions environnantes.

NOTE : Si plus de deux outils sont enregistrés sur un aspirateur, ce dernier peut se mettre en marche sans que vous enclenchiez la gâchette, car un autre utilisateur emploie la fonction d'activation sans fil.

Description du statut du témoin d'activation sans fil

- **Fig.42:** 1. Témoin d'activation sans fil

Le témoin d'activation sans fil indique le statut de la fonction d'activation sans fil. Consultez le tableau ci-dessous pour la signification du statut du témoin.

| Statut | Témoin d'activation sans fil | | | Description | |
|---|------------------------------|--|--|---------------------------------------|--|
| | Couleur |  Allumé |  Clignotant | | Durée |
| Veille | Bleu |  | | 2 heures | L'activation sans fil de l'aspirateur est disponible. Le témoin s'éteint automatiquement en l'absence d'opérations pendant 2 heures. |
| | |  | | Pendant le fonctionnement de l'outil. | L'activation sans fil de l'aspirateur est disponible et l'outil fonctionne. |
| Enregistrement de l'outil | Vert |  | | 20 secondes | Prêt pour l'enregistrement de l'outil. En attente d'enregistrement par l'aspirateur. |
| | |  | | 2 secondes | L'enregistrement de l'outil est terminé. Le témoin d'activation sans fil se met à clignoter en bleu. |
| Annulation de l'enregistrement de l'outil | Rouge |  | | 20 secondes | Prêt pour l'annulation de l'enregistrement de l'outil. En attente d'annulation par l'aspirateur. |
| | |  | | 2 secondes | L'annulation de l'enregistrement de l'outil est terminée. Le témoin d'activation sans fil se met à clignoter en bleu. |
| Autres | Rouge |  | | 3 secondes | Le connecteur sans fil est alimenté en électricité et la fonction d'activation sans fil démarre. |
| | Éteint | - | | - | L'activation sans fil de l'aspirateur est arrêtée. |

Annulation de l'enregistrement de l'outil pour l'aspirateur

Procédez comme indiqué ci-après pour annuler l'enregistrement de l'outil pour l'aspirateur.

1. Insérez les batteries dans l'aspirateur et l'outil.
2. Placez le bouton de veille de l'aspirateur sur « AUTO ».
► **Fig.43:** 1. Bouton de veille
3. Appuyez sur le bouton d'activation sans fil de l'aspirateur pendant 6 secondes. Le témoin d'activation sans fil clignote en vert, puis devient rouge. Après cela, appuyez sur le bouton d'activation sans fil de l'outil de la même façon.
► **Fig.44:** 1. Bouton d'activation sans fil 2. Témoin d'activation sans fil

Si l'annulation est réussie, les témoins d'activation sans fil s'allumeront en rouge pendant 2 secondes et se mettront à clignoter en bleu.

NOTE : Les témoins d'activation sans fil arrêtent de clignoter en rouge au bout de 20 secondes. Appuyez sur le bouton d'activation sans fil de l'outil pendant que le témoin d'activation sans fil de l'aspirateur clignote. Si le témoin d'activation sans fil ne clignote pas en rouge, appuyez brièvement sur le bouton d'activation sans fil et maintenez-le à nouveau enfoncé.

Guide de dépannage de la fonction d'activation sans fil

Avant de faire une demande de réparation, effectuez d'abord vous-même une inspection. Si vous rencontrez un problème non documenté dans le mode d'emploi, n'essayez pas de démonter l'outil. Demandez plutôt à un centre de service après-vente Makita agréé d'effectuer la réparation au moyen de pièces de rechange Makita.

| État d'anomalie | Cause probable (dysfonctionnement) | Solution |
|--|--|---|
| Le témoin d'activation sans fil ne s'allume pas ou ne clignote pas. | Le connecteur sans fil n'est pas installé sur l'outil. Le connecteur sans fil est mal installé sur l'outil. | Installez correctement le connecteur sans fil. |
| | La borne du connecteur sans fil et/ou la fente sont sales. | Essayez délicatement la poussière et la saleté sur la borne du connecteur sans fil et nettoyez la fente. |
| | Le bouton d'activation sans fil de l'outil n'a pas été enfoncé. | Appuyez brièvement sur le bouton d'activation sans fil sur l'outil. |
| | Le bouton de veille de l'aspirateur n'est pas placé sur « AUTO ». | Placez le bouton de veille de l'aspirateur sur « AUTO ». |
| | Pas d'alimentation électrique | Mettez sous tension l'outil électrique et l'aspirateur. |
| Impossible de terminer correctement l'enregistrement de l'outil/l'annulation de l'enregistrement de l'outil. | Le connecteur sans fil n'est pas installé sur l'outil. Le connecteur sans fil est mal installé sur l'outil. | Installez correctement le connecteur sans fil. |
| | La borne du connecteur sans fil et/ou la fente sont sales. | Essayez délicatement la poussière et la saleté sur la borne du connecteur sans fil et nettoyez la fente. |
| | Le bouton de veille de l'aspirateur n'est pas placé sur « AUTO ». | Placez le bouton de veille de l'aspirateur sur « AUTO ». |
| | Pas d'alimentation électrique | Mettez sous tension l'outil électrique et l'aspirateur. |
| | Fonctionnement incorrect | Appuyez brièvement sur le bouton d'activation sans fil et recommencez l'enregistrement de l'outil/l'annulation de l'enregistrement de l'outil. |
| | L'outil et l'aspirateur sont éloignés l'un de l'autre (hors de la portée de transmission). | Rapprochez l'outil de l'aspirateur. La distance de transmission maximum est d'environ 10 m, toutefois elle peut varier selon les circonstances. |
| | Avant de finir l'enregistrement de l'outil/l'annulation de l'enregistrement de l'outil : - la gâchette de l'outil est enclenchée ou ; - le bouton d'alimentation de l'aspirateur est placé sur Marche. | Appuyez brièvement sur le bouton d'activation sans fil et recommencez l'enregistrement de l'outil/l'annulation de l'enregistrement de l'outil. |
| | Les procédures d'enregistrement de l'outil pour l'outil ou l'aspirateur ne sont pas terminées. | Procédez à l'enregistrement de l'outil à la fois pour l'outil et l'aspirateur en même temps. |
| Interférence radio d'autres appareils qui génèrent des ondes radio puissantes. | Maintenez l'outil et l'aspirateur à l'écart des appareils comme des appareils Wi-Fi et des fours à micro-ondes. | |

| État d'anomalie | Cause probable (dysfonctionnement) | Solution |
|---|--|--|
| L'aspirateur ne se met pas en marche avec l'utilisation de l'interrupteur de l'outil. | Le connecteur sans fil n'est pas installé sur l'outil. Le connecteur sans fil est mal installé sur l'outil. | Installez correctement le connecteur sans fil. |
| | La borne du connecteur sans fil et/ou la fente sont sales. | Essuyez délicatement la poussière et la saleté sur la borne du connecteur sans fil et nettoyez la fente. |
| | Le bouton d'activation sans fil de l'outil n'a pas été enfoncé. | Appuyez brièvement sur le bouton d'activation sans fil et assurez-vous que le témoin d'activation sans fil clignote en bleu. |
| | Le bouton de veille de l'aspirateur n'est pas placé sur « AUTO ». | Placez le bouton de veille de l'aspirateur sur « AUTO ». |
| | Plus de 10 outils sont enregistrés sur l'aspirateur. | Recommencez l'enregistrement de l'outil. Si plus de 10 outils sont enregistrés sur l'aspirateur, l'outil enregistré le plus tôt sera automatiquement annulé. |
| | L'aspirateur a effacé tous les enregistrements d'outils. | Recommencez l'enregistrement de l'outil. |
| | Pas d'alimentation électrique | Mettez sous tension l'outil électrique et l'aspirateur. |
| | L'outil et l'aspirateur sont éloignés l'un de l'autre (hors de la portée de transmission). | Rapprochez l'outil de l'aspirateur. La distance de transmission maximum est d'environ 10 m, toutefois elle peut varier selon les circonstances. |
| | Interférence radio d'autres appareils qui génèrent des ondes radio puissantes. | Maintenez l'outil et l'aspirateur à l'écart des appareils comme des appareils Wi-Fi et des fours à micro-ondes. |
| L'aspirateur fonctionne alors que la gâchette de l'outil n'est pas enclenchée. | D'autres utilisateurs emploient la fonction d'activation sans fil de l'aspirateur avec leurs outils. | Placez le bouton d'activation sans fil des autres outils sur Arrêt ou annulez l'enregistrement de l'outil des autres outils. |

ENTRETIEN

⚠ ATTENTION : Assurez-vous toujours que l'outil est hors tension et que la batterie est retirée avant d'y effectuer tout travail d'inspection ou d'entretien.

⚠ ATTENTION : Nettoyez le carter de protection pour garantir l'absence de sciure de bois accumulée susceptible d'empêcher le bon fonctionnement du système de protection. Un système de protection encrassé peut empêcher le bon fonctionnement et entraîner de graves blessures corporelles. L'air comprimé est le moyen le plus efficace pour procéder au nettoyage. **Si vous éliminez la poussière du carter de protection en la soufflant, veillez à utiliser une protection oculaire et respiratoire adéquate.**

REMARQUE : N'utilisez jamais d'essence, benzène, diluant, alcool ou autre produit similaire. Cela risquerait de provoquer la décoloration, la déformation ou la fissuration de l'outil.

Réglage de la précision de la coupe à 0° et 45°

REMARQUE : N'engagez pas les leviers pour un angle de biseau à -1° lorsque vous réglez la précision de la coupe à 0°.

REMARQUE : N'engagez pas le levier pour un angle de biseau à 48° lorsque vous réglez la précision de la coupe à 45°.

Ces réglages ont été faits en usine. Mais s'ils sont incorrects, vous pouvez les ajuster en procédant comme suit.

1. Desserrez légèrement les vis de serrage à l'avant et à l'arrière de l'outil.
2. Réglez l'angle de la lame.
► **Fig.45:** 1. Règle triangulaire

Pour ajuster la précision de la coupe à 0°, placez le socle perpendiculairement à la lame au moyen d'une règle triangulaire, d'une équerre, etc., en tournant le boulon de réglage.

► **Fig.46:** 1. Boulon de réglage pour la coupe à 0°

Pour ajuster la précision de la coupe à 45°, placez le socle à 45° de la lame au moyen d'une règle triangulaire en tournant le boulon de réglage.

► **Fig.47:** 1. Boulon de réglage pour la coupe à 45°

3. Serrez les vis de serrage et faites une coupe d'essai.
Pour assurer la SÉCURITÉ et la FIABILITÉ du produit, toute réparation, tout travail d'entretien ou de réglage doivent être effectués par un centre d'entretien Makita agréé, avec des pièces de rechange Makita.

ACCESSOIRES EN OPTION

⚠ ATTENTION : Ces accessoires ou pièces complémentaires sont recommandés pour l'utilisation avec l'outil Makita spécifié dans ce mode d'emploi. L'utilisation de tout autre accessoire ou pièce complémentaire peut comporter un risque de blessure. N'utilisez les accessoires ou pièces complémentaires qu'aux fins auxquelles ils ont été conçus.

Pour obtenir plus de détails sur ces accessoires, contactez votre centre d'entretien local Makita.

- Lame de scie circulaire
- Socle secondaire
- Clé hexagonale
- Rail de guidage
- Guide pour biseau
- Pince
- Feuille
- Feuille de caoutchouc
- Feuille de position
- Connecteur sans fil (pour le DSP601)
- Batterie et chargeur Makita d'origine

NOTE : Il se peut que certains éléments de la liste soient compris dans l'emballage de l'outil en tant qu'accessoires standard. Ils peuvent varier d'un pays à l'autre.

TECHNISCHE DATEN

| Modell: | | DSP600 | DSP601 |
|----------------------|------------------------|--|--------|
| Sägeblattdurchmesser | | 165 mm | |
| Max. Schnitttiefe | bei 0° | 56 mm | |
| | bei 45° Neigungswinkel | 40 mm | |
| | bei 48° Neigungswinkel | 38 mm | |
| Leerlaufdrehzahl | | 2.500 - 6.300 min ⁻¹ | |
| Gesamtlänge | | 346 mm | |
| Nennspannung | | 36 V Gleichstrom | |
| Akku | | BL1815N, BL1820, BL1820B, BL1830, BL1830B, BL1840, BL1840B, BL1850, BL1850B, BL1860B | |
| Ladegerät | | DC18RC, DC18RD, DC18SD, DC18SE, DC18SF | |
| Nettogewicht | | 4,4 - 5,1 kg | |

- Wir behalten uns vor, Änderungen der technischen Daten im Zuge der Entwicklung und des technischen Fortschritts ohne vorherige Ankündigung vorzunehmen.
- Die technischen Daten und der Akku können von Land zu Land unterschiedlich sein.
- Das Gewicht kann abhängig von dem Aufsatz (den Aufsätzen), einschließlich des Akkus, unterschiedlich sein. Die leichteste und die schwerste Kombination, gemäß dem EPTA-Verfahren 01/2014, sind in der Tabelle angegeben.

Vorgesehene Verwendung

Das Werkzeug ist speziell zur Durchführung von Tauchschnitten vorgesehen. Das Werkzeug ist auch für Längs- und Querschnitte in Holz vorgesehen. Wenn das Werkzeug mit einem regulären Kreissägeblatt bestückt wird, kann es zum Sägen von Aluminium, Kunststoff, Mineralkunststoff und ähnlichen Materialien verwendet werden.

Geräusch

Typischer A-bewerteter Geräuschpegel ermittelt gemäß EN62841:

Modell DSP600

Schalldruckpegel (L_{pA}): 92 dB (A)
Schallleistungspegel (L_{WA}): 103 dB (A)
Messunsicherheit (K): 3 dB (A)

Modell DSP601

Schalldruckpegel (L_{pA}): 92 dB (A)
Schallleistungspegel (L_{WA}): 103 dB (A)
Messunsicherheit (K): 3 dB (A)

⚠️ WARNUNG: Einen Gehörschutz tragen.

Schwingungen

Schwingungsgesamtwert (Drei-Achsen-Vektorsumme) ermittelt gemäß EN62841:

Modell DSP600

Arbeitsmodus: Schneiden von Holz
Schwingungsemission ($a_{h,w}$): 2,5 m/s² oder weniger
Messunsicherheit (K): 1,5 m/s²

Arbeitsmodus: Schneiden von Metall
Schwingungsemission ($a_{h,m}$): 2,5 m/s² oder weniger
Messunsicherheit (K): 1,5 m/s²

Modell DSP601

Arbeitsmodus: Schneiden von Holz
Schwingungsemission ($a_{h,w}$): 2,5 m/s² oder weniger
Messunsicherheit (K): 1,5 m/s²
Arbeitsmodus: Schneiden von Metall
Schwingungsemission ($a_{h,m}$): 2,5 m/s² oder weniger
Messunsicherheit (K): 1,5 m/s²

HINWEIS: Der angegebene Schwingungsemissionswert wurde im Einklang mit der Standardprüfmethode gemessen und kann für den Vergleich zwischen Werkzeugen herangezogen werden.

HINWEIS: Der angegebene Schwingungsemissionswert kann auch für eine Vorbewertung des Gefährdungsgrads verwendet werden.

⚠️ WARNUNG: Die Schwingungsemission während der tatsächlichen Benutzung des Elektrowerkzeugs kann je nach der Benutzungsweise des Werkzeugs vom angegebenen Emissionswert abweichen.

⚠️ WARNUNG: Identifizieren Sie Sicherheitsmaßnahmen zum Schutz des Benutzers anhand einer Schätzung des Gefährdungsgrads unter den tatsächlichen Benutzungsbedingungen (unter Berücksichtigung aller Phasen des Arbeitszyklus, wie z. B. Ausschalt- und Leerlaufzeiten des Werkzeugs zusätzlich zur Betriebszeit).

EG-Konformitätserklärung

Nur für europäische Länder

Die EG-Konformitätserklärung ist als Anhang A in dieser Bedienungsanleitung enthalten.

SICHERHEITSWARNUNGEN

Allgemeine Sicherheitswarnungen für Elektrowerkzeuge

⚠️ WARNUNG: Lesen Sie alle mit diesem Elektrowerkzeug gelieferten Sicherheitswarnungen, Anweisungen, Abbildungen und technischen Daten durch. Eine Missachtung der unten aufgeführten Anweisungen kann zu einem elektrischen Schlag, Brand und/oder schweren Verletzungen führen.

Bewahren Sie alle Warnungen und Anweisungen für spätere Bezugnahme auf.

Der Ausdruck „Elektrowerkzeug“ in den Warnhinweisen bezieht sich auf Ihr mit Netzstrom (mit Kabel) oder Akku (ohne Kabel) betriebenes Elektrowerkzeug.

Sicherheitswarnungen für Akku-Handkreissäge

Schneidverfahren

- ⚠️ GEFAHR:** Halten Sie Ihre Hände vom Schnittbereich und vom Sägeblatt fern. Halten Sie mit der zweiten Hand den Zusatzgriff oder das Motorgehäuse. Wenn beide Hände die Säge halten, können sie nicht durch das Sägeblatt verletzt werden.
 - Fassen Sie nicht unter das Werkstück.** Die Schutzhaube bietet keinen Schutz auf der Unterseite des Werkstücks.
 - Stellen Sie die Schnitttiefe auf die Dicke des Werkstücks ein.** Das Sägeblatt darf nicht mehr als eine Zahnlänge auf der Unterseite des Werkstücks überstehen.
 - Halten Sie das Werkstück beim Schneiden niemals in Ihren Händen oder auf den Beinen. Sichern Sie das Werkstück auf einer stabilen Plattform.** Es ist wichtig, das Werkstück sachgemäß abzustützen, um Körperaussetzung, Klemmen des Sägeblatts oder Verlust der Kontrolle auf ein Minimum zu reduzieren.
- **Abb.1**
- Halten Sie das Elektrowerkzeug an den isolierten Griffflächen, wenn Sie Arbeiten ausführen, bei denen die Gefahr besteht, dass das Schneidwerkzeug verborgene Kabel oder das eigene Kabel kontaktiert.** Bei Kontakt mit einem Strom führenden Kabel können die freiliegenden Metallteile des Elektrowerkzeugs ebenfalls Strom führend werden, so dass der Benutzer einen elektrischen Schlag erleiden kann.
 - Verwenden Sie beim Längssägen stets einen Parallelanschlag oder ein Richtlineal.** Dadurch wird die Schnittgenauigkeit verbessert und die Gefahr von Sägeblatt-Klemmen reduziert.
 - Verwenden Sie stets Sägeblätter, deren Spindelbohrung die korrekte Größe und Form (rautenförmig oder rund) hat.** Sägeblätter, die nicht genau auf den Montageflansch der Säge passen, rotieren exzentrisch und verursachen den Verlust der Kontrolle.

- Verwenden Sie niemals beschädigte oder falsche Sägeblattscheiben oder -schrauben.** Die Sägeblattscheiben und -schrauben sind speziell für Ihre Säge vorgesehen, um optimale Leistung und Betriebssicherheit zu gewährleisten.

Rückschlagursachen und damit zusammenhängende Warnungen

- Ein Rückschlag ist eine plötzliche Reaktion auf ein eingeklemmtes, blockiertes oder falsch ausgerichtetes Sägeblatt, der ein unkontrolliertes Anheben und Herausspringen der Säge aus dem Werkstück in Richtung der Bedienungsperson verursacht.
- Wenn das Sägeblatt durch den sich schließenden Sägeschlitz eingeklemmt oder blockiert wird, bleibt das Sägeblatt stehen, und die Motorreaktion drückt die Säge plötzlich in Richtung der Bedienungsperson zurück.
- Falls das Sägeblatt im Schnitt verdreht oder versetzt wird, können sich die Zähne an der Hinterkante des Sägeblatts in die Oberfläche des Holzstücks bohren, so dass sich das Sägeblatt aus dem Sägeschlitz heraushebt und in Richtung der Bedienungsperson zurückspringt.

Rückschlag ist das Resultat falscher Handhabung der Säge und/oder falscher Arbeitsverfahren oder -bedingungen und kann durch Anwendung der nachstehenden Vorsichtsmaßnahmen vermieden werden.

- Halten Sie die Säge mit beiden Händen fest, und positionieren Sie Ihre Arme so, dass sie die Rückschlagkräfte auffangen. Stellen Sie sich so, dass sich Ihr Körper seitlich vom Sägeblatt befindet, nicht auf gleicher Linie mit dem Sägeblatt.** Rückschlag kann Zurückspringen der Säge verursachen; doch wenn geeignete Vorkehrungen getroffen werden, können die Rückschlagkräfte von der Bedienungsperson unter Kontrolle gehalten werden.
- Falls das Sägeblatt klemmt oder der Schnitt aus irgendeinem Grund unterbrochen wird, lassen Sie den Ein-Aus-Schalter los, und halten Sie die Säge bewegungslos im Werkstück, bis das Sägeblatt zum völligen Stillstand kommt. Versuchen Sie niemals, die Säge bei noch rotierendem Sägeblatt vom Werkstück abzunehmen oder zurückzuziehen, weil es sonst zu einem Rückschlag kommen kann.** Nehmen Sie eine Überprüfung vor, und treffen Sie Abhilfemaßnahmen, um die Ursache von Sägeblatt-Klemmen zu beseitigen.
- Wenn Sie die Säge bei im Werkstück befindlichem Sägeblatt wieder einschalten, zentrieren Sie das Sägeblatt im Sägeschlitz, und vergewissern Sie sich, dass die Sägezähne nicht mit dem Werkstück im Eingriff sind.** Falls ein Sägeblatt klemmt, kann es beim Wiedereinschalten der Säge aus dem Werkstück herauschnellen oder zurückspringen.
- Stützen Sie große Platten ab, um die Gefahr von Klemmen und Rückschlagen des Sägeblatts auf ein Minimum zu reduzieren.** Große Platten neigen dazu, unter ihrem Eigengewicht durchzuhängen. Die Stützen müssen beidseitig der Schnittlinie und in der Nähe der Plattenkante unter der Platte platziert werden.

► **Abb.2**

► Abb.3

5. **Verwenden Sie keine stumpfen oder beschädigten Sägeblätter.** Unscharfe oder falsch angebrachte Sägeblätter erzeugen einen schmalen Sägeschlitz, der übermäßige Reibung, Sägeblatt-Klemmen und Rückschlag verursacht.
6. **Die Sägeblatttiefen- und Neigungseinstellungs-Arretierhebel müssen fest angezogen und gesichert sein, bevor der Schnitt ausgeführt wird.** Falls sich die Sägeblatteneinstellung während des Sägens verstellt, kann es zu Klemmen und Rückschlag kommen.
7. **Lassen Sie beim Sägen in vorhandene Wände oder andere tote Winkel besondere Vorsicht walten.** Das vorstehende Sägeblatt kann Objekte durchschneiden, die Rückschlag verursachen können.
8. **Halten Sie das Werkzeug IMMER mit beiden Händen fest. Halten Sie NIEMALS Ihre Hand, Ihr Bein oder irgendeinen Körperteil unter die Werkzeugbasis oder hinter die Säge, insbesondere bei der Ausführung von Querschnitten.** Falls Rückschlag auftritt, besteht die Gefahr, dass die Säge über Ihre Hand zurückspringt und schwere Personenschäden verursacht.

► Abb.4

9. **Wenden Sie keine Gewalt auf die Säge an. Schieben Sie die Säge mit einer Geschwindigkeit vor, dass das Sägeblatt nicht abgebremst wird.** Gewaltanwendung kann ungleichmäßige Schnitte, Verlust der Genauigkeit und möglichen Rückschlag verursachen.

Funktion der Schutzhaube

1. **Überprüfen Sie die Schutzhaube vor jeder Benutzung auf einwandfreies Schließen.** Betreiben Sie die Säge nicht, falls sich die Schutzhaube nicht ungehindert bewegt und das Sägeblatt nicht sofort umschließt. Die Schutzhaube darf auf keinen Fall in geöffneter Stellung festgeklemmt oder festgebunden werden. Wird die Säge versehentlich fallen gelassen, kann die Schutzhaube verbogen werden. Vergewissern Sie sich, dass sich die Schutzhaube ungehindert bewegt und bei allen Winkel- und Schnitttiefen-Einstellungen nicht mit dem Sägeblatt oder irgendeinem anderen Teil in Berührung kommt.
2. **Überprüfen Sie die Funktion und den Zustand der Schutzhauben-Rückholfeder.** Falls Schutzhaube und Feder nicht einwandfrei funktionieren, müssen die Teile vor der Benutzung gewartet werden. Falls beschädigte Teile, klebrige Ablagerungen oder Schmutzansammlung vorhanden sind, kann die Schutzhaube schwergängig werden.
3. **Stellen Sie sicher, dass sich die Grundplatte der Säge während der Durchführung eines „Tauschnitts“ nicht verschiebt.** Seitliches Verschieben des Sägeblatts verursacht Klemmen und möglicherweise Rückschlag.
4. **Vergewissern Sie sich stets, dass die Schutzhaube das Sägeblatt verdeckt, bevor Sie die Säge auf der Werkbank oder dem Boden ablegen.** Ein ungeschützt auslaufendes Sägeblatt bewirkt Rückwärtskriechen der Säge und schneidet alles, was sich in seinem Weg befindet. Berücksichtigen Sie die Auslaufzeit des Sägeblatts bis zum Stillstand nach dem Loslassen des Schalters.

Zusätzliche Sicherheitswarnungen

1. **Lassen Sie beim Schneiden von feuchtem Holz, druckbehandeltem Bauholz oder Astholz besondere Vorsicht walten.** Behalten Sie einen gleichmäßigen Vorschub des Werkzeugs bei, ohne dass sich die Sägeblattdrehzahl verringert, um Überhitzen der Sägeblattzähne und, beim Schneiden von Kunststoff, Schmelzen des Kunststoffs zu vermeiden.
2. **Versuchen Sie nicht, abgeschnittenes Material bei rotierendem Sägeblatt zu entfernen. Warten Sie, bis das Sägeblatt zum Stillstand kommt, bevor Sie abgeschnittenes Material wegnehmen.** Das Sägeblatt läuft nach dem Ausschalten noch nach.
3. **Vermeiden Sie das Schneiden von Nägeln. Überprüfen Sie Bauholz vor dem Schneiden auf Nägel, und entfernen Sie etwaige Nägel.**
4. **Setzen Sie den breiteren Teil der Grundplatte auf den fest abgestützten Teil des Werkstücks, nicht auf den Teil, der nach dem Schnitt herunterfällt. Kurze oder kleine Werkstücke müssen eingespannt werden. VERSUCHEN SIE NICHT, KURZE WERKSTÜCKE MIT DER HAND ZU HALTEN!**

► Abb.5

5. **Bevor Sie das Werkzeug nach Ausführung eines Schnitts absetzen, vergewissern Sie sich, dass sich die Schutzhaube geschlossen hat und das Sägeblatt zu vollständigem Stillstand gekommen ist.**
6. **Versuchen Sie niemals, die Kreissäge zum Sägen verkehrt herum in einen Schraubstock einzuspannen. Dies ist sehr gefährlich und kann zu schweren Unfällen führen.**

► Abb.6

7. **Manche Materialien können giftige Chemikalien enthalten. Treffen Sie Vorsichtsmaßnahmen, um das Einatmen von Arbeitsstaub und Hautkontakt zu verhüten. Befolgen Sie die Sicherheitsdaten des Materiallieferanten.**
8. **Bremsen Sie die Säge nicht durch seitlichen Druck auf das Sägeblatt ab.**
9. **Verwenden Sie keine Schleifscheiben.**
10. **Verwenden Sie nur Sägeblätter mit einem Durchmesser, der am Werkzeug markiert oder im Handbuch angegeben ist.** Die Verwendung eines Sägeblatts mit falscher Größe kann den einwandfreien Schutz des Sägeblatts oder den Schutzbetrieb beeinträchtigen, was ernsthaften Personenschaden zur Folge haben kann.
11. **Halten Sie das Sägeblatt scharf und sauber.** An den Sägeblättern haftendes und verhärtetes Gummi und Harz verlangsamen die Säge und erhöhen die Rückschlaggefahr. Halten Sie das Sägeblatt sauber, indem Sie es vom Werkzeug abmontieren und dann mit Gummi- und Harzentferner, heißem Wasser oder Petroleum reinigen. Verwenden Sie niemals Benzin.
12. **Tragen Sie bei der Benutzung des Werkzeugs eine Staubmaske und einen Gehörschutz.**
13. **Verwenden Sie immer das zum Schneiden des jeweiligen Arbeitsmaterials vorgesehene Sägeblatt.**
14. **Verwenden Sie nur Sägeblätter, die mit einer Drehzahl markiert sind, die der am Werkzeug angegebenen Drehzahl entspricht oder diese übertrifft.**

15. (Nur für europäische Länder)
Verwenden Sie immer ein Sägeblatt, das EN847-1 entspricht.

DIESE ANWEISUNGEN AUFBEWAHREN.

⚠️ WARNUNG: Lassen Sie sich NICHT durch Bequemlichkeit oder Vertrautheit mit dem Produkt (durch wiederholten Gebrauch erworben) von der strikten Einhaltung der Sicherheitsregeln für das vorliegende Produkt abhalten. MISSBRAUCH oder Missachtung der Sicherheitsvorschriften in dieser Anleitung können schwere Personenschäden verursachen.

Wichtige Sicherheitsanweisungen für Akku

1. Lesen Sie vor der Benutzung des Akkus alle Anweisungen und Warnhinweise, die an (1) Ladegerät, (2) Akku und (3) Akkuwerkzeug angebracht sind.
2. Unterlassen Sie ein Zerlegen des Akkus.
3. Falls die Betriebszeit beträchtlich kürzer geworden ist, stellen Sie den Betrieb sofort ein. Anderenfalls besteht die Gefahr von Überhitzung, möglichen Verbrennungen und sogar einer Explosion.
4. Falls Elektrolyt in Ihre Augen gelangt, waschen Sie sie mit sauberem Wasser aus, und begeben Sie sich unverzüglich in ärztliche Behandlung. Anderenfalls können Sie Ihre Sehkraft verlieren.
5. Der Akku darf nicht kurzgeschlossen werden:
 - (1) Die Kontakte dürfen nicht mit leitfähigem Material berührt werden.
 - (2) Lagern Sie den Akku nicht in einem Behälter zusammen mit anderen Metallgegenständen, wie z. B. Nägel, Münzen usw.
 - (3) Setzen Sie den Akku weder Wasser noch Regen aus.

Ein Kurzschluss des Akkus verursacht starken Stromfluss, der Überhitzung, mögliche Verbrennungen und einen Defekt zur Folge haben kann.
6. Lagern Sie das Werkzeug und den Akku nicht an Orten, an denen die Temperatur 50 °C erreichen oder überschreiten kann.
7. Versuchen Sie niemals, den Akku zu verbrennen, selbst wenn er stark beschädigt oder vollkommen verbraucht ist. Der Akku kann im Feuer explodieren.
8. Achten Sie darauf, dass der Akku nicht fallen gelassen oder Stößen ausgesetzt wird.
9. Benutzen Sie keine beschädigten Akkus.
10. Die enthaltenen Lithium-Ionen-Akkus unterliegen den Anforderungen der Gefahrgut-Gesetzgebung.

Für kommerzielle Transporte, z. B. durch Dritte oder Spediteure, müssen besondere Anforderungen zu Verpackung und Etikettierung beachtet werden. Zur Vorbereitung des zu transportierenden Artikels ist eine Beratung durch einen Experten für Gefahrgut erforderlich. Bitte beachten Sie möglicherweise ausführlichere nationale Vorschriften.

Überkleben oder verdecken Sie offene Kontakte, und verpacken Sie den Akku so, dass er sich in der Verpackung nicht umher bewegen kann.

11. Befolgen Sie die örtlichen Bestimmungen bezüglich der Entsorgung von Akkus.

DIESE ANWEISUNGEN AUFBEWAHREN.

⚠️ VORSICHT: Verwenden Sie nur Original-Makita-Akkus. Die Verwendung von Nicht-Original-Makita-Akkus oder von Akkus, die abgeändert worden sind, kann zum Bersten des Akkus und daraus resultierenden Bränden, Personenschäden und Beschädigung führen. Außerdem wird dadurch die Makita-Garantie für das Makita-Werkzeug und -Ladegerät ungültig.

Hinweise zur Aufrechterhaltung der maximalen Akku-Nutzungsdauer

1. Laden Sie den Akku, bevor er vollkommen erschöpft ist. Schalten Sie das Werkzeug stets aus, und laden Sie den Akku, wenn Sie ein Nachlassen der Werkzeugleistung feststellen.
2. Unterlassen Sie erneutes Laden eines voll aufgeladenen Akkus. Überladen führt zu einer Verkürzung der Nutzungsdauer des Akkus.
3. Laden Sie den Akku bei Raumtemperatur zwischen 10 – 40 °C. Lassen Sie einen heißen Akku abkühlen, bevor Sie ihn laden.
4. Der Akku muss geladen werden, wenn er lange Zeit (länger als sechs Monate) nicht benutzt wird.

Wichtige Sicherheitsanweisungen für Funk-Adapter

1. Unterlassen Sie Zerlegen oder Manipulieren des Funk-Adapters.
2. Halten Sie den Funk-Adapter von kleinen Kindern fern. Suchen Sie bei versehentlichem Verschlucken sofort ärztliche Behandlung auf.
3. Benutzen Sie den Funk-Adapter nur mit Makita-Werkzeugen.
4. Setzen Sie den Funk-Adapter keinem Regen oder Nässe aus.
5. Benutzen Sie den Funk-Adapter nicht an Orten, wo die Temperatur 50°C überschreitet.
6. Betreiben Sie den Funk-Adapter nicht an Orten, in deren Nähe sich medizinische Geräte, wie z. B. Herzschrittmacher, befinden.
7. Betreiben Sie den Funk-Adapter nicht an Orten, in deren Nähe sich automatisierte Geräte befinden. Bei Betrieb kann in den automatisierten Geräten eine Funktionsstörung oder ein Fehler entstehen.
8. Der Funk-Adapter kann elektromagnetische Felder (EMF) erzeugen, die aber für den Benutzer nicht gesundheitsschädlich sind.
9. Der Funk-Adapter ist ein Präzisionsinstrument. Achten Sie darauf, dass der Funk-Adapter nicht fallen gelassen oder Stößen ausgesetzt wird.

10. Vermeiden Sie Berühren der Kontakte des Funk-Adapters mit bloßen Händen oder Metallgegenständen.
11. Entnehmen Sie stets den Akku vom Werkzeug, bevor Sie den Funk-Adapter installieren.
12. Öffnen Sie den Deckel des Steckplatzes nicht an Orten, wo Staub und Wasser in den Steckplatz eindringen können. Halten Sie den Einlass des Steckplatzes stets sauber.
13. Führen Sie den Funk-Adapter stets in der korrekten Richtung ein.
14. Drücken Sie nicht zu fest und/oder mit einem scharfkantigen Gegenstand auf die Funk-Aktivierungstaste des Funk-Adapters.
15. Halten Sie den Deckel des Steckplatzes beim Betrieb immer geschlossen.
16. Entfernen Sie den Funk-Adapter nicht aus dem Steckplatz, während das Werkzeug mit Strom versorgt wird. Anderenfalls kann eine Funktionsstörung des Funk-Adapters verursacht werden.
17. Entfernen Sie nicht den Aufkleber vom Funk-Adapter.
18. Kleben Sie keinen anderen Aufkleber auf den Funk-Adapter.
19. Lassen Sie den Funk-Adapter nicht an einem Ort liegen, wo statische Elektrizität oder elektrisches Rauschen erzeugt werden könnte.
20. Lassen Sie den Funk-Adapter nicht an einem Ort liegen, der starker Hitze ausgesetzt ist, wie z. B. in einem in praller Sonne geparkten Auto.
21. Lassen Sie den Funk-Adapter nicht an einem Ort liegen, der Staub oder Puder aufweist, oder an dem ein korrosives Gas erzeugt werden könnte.
22. Plötzliche Temperaturschwankungen können den Funk-Adapter betauen. Benutzen Sie den Funk-Adapter nicht eher, bis der Tau vollständig getrocknet ist.
23. Wischen Sie den Funk-Adapter zum Reinigen sanft mit einem trockenen, weichen Tuch ab. Verwenden Sie kein Waschbenzin, kein leitfähiges Fett, keinen Verdüner oder dergleichen.
24. Bewahren Sie den Funk-Adapter zur Lagerung in der mitgelieferten Schachtel oder einem statikfreien Behälter auf.
25. Führen Sie keine anderen Geräte außer dem Makita-Funk-Adapter in den Steckplatz des Werkzeugs ein.
26. Benutzen Sie das Werkzeug nicht, wenn der Deckel des Steckplatzes beschädigt ist. Wasser, Staub und Schmutz, die in den Steckplatz eindringen, können eine Funktionsstörung verursachen.
27. Ziehen und/oder verdrehen Sie den Deckel des Steckplatzes nicht mehr als nötig. Bringen Sie den Deckel wieder an, falls er sich vom Werkzeug löst.
28. Ersetzen Sie den Deckel des Steckplatzes, falls er verloren geht oder beschädigt wird.

DIESE ANWEISUNGEN AUFBEWAHREN.

FUNKTIONSBESCHREIBUNG

⚠VORSICHT: Vergewissern Sie sich vor der Durchführung von Einstellungen oder Funktionsprüfungen des Werkzeugs stets, dass das Werkzeug ausgeschaltet und der Akku abgenommen ist.

Anbringen und Abnehmen des Akkus

⚠VORSICHT: Schalten Sie das Werkzeug stets aus, bevor Sie den Akku anbringen oder abnehmen.

⚠VORSICHT: Halten Sie das Werkzeug und den Akku beim Anbringen oder Abnehmen des Akkus sicher fest. Wenn Sie das Werkzeug und den Akku nicht sicher festhalten, können sie Ihnen aus der Hand rutschen, was zu einer Beschädigung des Werkzeugs und des Akkus und zu Körperverletzungen führen kann.

► **Abb.7:** 1. Rote Anzeige 2. Knopf 3. Akku

Ziehen Sie den Akku zum Abnehmen vom Werkzeug ab, während Sie den Knopf an der Vorderseite des Akkus verschieben.

Richten Sie zum Anbringen des Akkus dessen Führungsfeder auf die Nut im Gehäuse aus, und schieben Sie den Akku hinein. Schieben Sie ihn vollständig ein, bis er mit einem hörbaren Klicken einrastet. Falls die rote Anzeige an der Oberseite des Knopfes sichtbar ist, ist der Akku nicht vollständig verriegelt.

⚠VORSICHT: Schieben Sie den Akku stets bis zum Anschlag ein, bis die rote Anzeige nicht mehr sichtbar ist. Anderenfalls kann er aus dem Werkzeug herausfallen und Sie oder umstehende Personen verletzen.

⚠VORSICHT: Unterlassen Sie Gewaltanwendung beim Anbringen des Akkus. Falls der Akku nicht reibungslos hineingleitet, ist er nicht richtig ausgerichtet.

HINWEIS: Das Werkzeug funktioniert nicht mit nur einem Akku.

Werkzeug/Akku-Schutzsystem

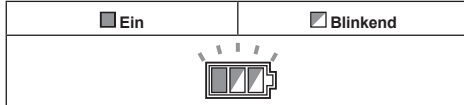
Das Werkzeug ist mit einem Werkzeug/Akku-Schutzsystem ausgestattet. Dieses System schaltet die Stromversorgung des Motors automatisch ab, um die Lebensdauer von Werkzeug und Akku zu verlängern. Das Werkzeug bleibt während des Betriebs automatisch stehen, wenn das Werkzeug oder der Akku einer der folgenden Bedingungen unterliegt. Bei manchen Bedingungen leuchten die Anzeigen auf.

Überlastschutz

Wird das Werkzeug auf eine Weise benutzt, die eine ungewöhnlich hohe Stromaufnahme bewirkt, bleibt das Werkzeug automatisch stehen. Schalten Sie in dieser Situation das Werkzeug aus, und brechen Sie die Arbeit ab, die eine Überlastung des Werkzeugs verursacht hat. Schalten Sie dann das Werkzeug wieder ein, um es neu zu starten.

Überhitzungsschutz

Wenn das Werkzeug überhitzt wird, bleibt es automatisch stehen, und die Akku-Anzeige blinkt etwa 60 Sekunden lang. Lassen Sie das Werkzeug in dieser Situation abkühlen, bevor Sie es wieder einschalten.





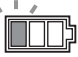

Überentladungsschutz

Wenn die Akkukapazität niedrig wird, schaltet sich das Werkzeug automatisch aus. Falls das Produkt trotz Betätigung der Schalter nicht funktioniert, entfernen Sie die Akkus vom Werkzeug, und laden Sie sie auf.

Anzeigen der Akku-Restkapazität

- **Abb.8:** 1. Akku-Anzeige (für oberen Akku)
2. Prüftaste 3. Akku-Anzeige (für unteren Akku)

Drücken Sie die Prüftaste, um die Akku-Restkapazität anzuzeigen. Jedem Akku sind eigene Akku-Anzeigen zugeordnet.

| Status der Akku-Anzeige | | | Akku-Restkapazität |
|---|-------|------------|--------------------|
| ■ Ein | □ Aus | ▣ Blinkend | |
|  | | | 50% bis 100% |
|  | | | 20% bis 50% |
|  | | | 0% bis 20% |
|  | | | Akku aufladen |

Anzeigen der Akku-Restkapazität

Nur für Akkus mit Anzeige

- **Abb.9:** 1. Anzeigelampen 2. Prüftaste

Drücken Sie die Prüftaste am Akku, um die Akku-Restkapazität anzuzeigen. Die Anzeigelampen leuchten wenige Sekunden lang auf.

| Anzeigelampen | | | Restkapazität |
|---------------|-------|------------|---|
| ■ Erleuchtet | □ Aus | ▣ Blinkend | |
| ■ ■ ■ ■ | | | 75 % bis 100 % |
| ■ ■ ■ □ | | | 50% bis 75% |
| ■ ■ □ □ | | | 25% bis 50% |
| ■ □ □ □ | | | 0% bis 25% |
| ▣ □ □ □ | | | Den Akku aufladen. |
| ■ ■ □ □ | ↑ ↓ | □ □ ■ ■ | Möglicherweise liegt eine Funktionsstörung im Akku vor. |

HINWEIS: Abhängig von den Benutzungsbedingungen und der Umgebungstemperatur kann die Anzeige geringfügig von der tatsächlichen Kapazität abweichen.




Automatische Drehzahlwechselfunktion

HINWEIS: Die automatische Drehzahlwechselfunktion ist nur in der Stellung 5 des Drehzahl-Stellrads verfügbar.

Dieses Werkzeug verfügt über einen „Hochdrehzahl-Modus“ und einen „Hochdrehmoment-Modus“. Das Werkzeug wechselt die Betriebsart automatisch abhängig von der Arbeitslast. Bei geringer Arbeitslast läuft das Werkzeug im „Hochdrehzahl-Modus“ für schnelleren Schneidbetrieb. Bei hoher Arbeitslast läuft das Werkzeug im „Hochdrehmoment-Modus“ für leistungsstarken Schneidbetrieb.

- **Abb.10:** 1. Betriebsart-Anzeige

Die Betriebsart-Anzeige leuchtet in Grün auf, wenn das Werkzeug im „Hochdrehmoment-Modus“ läuft. Wird das Werkzeug mit übermäßiger Last betrieben, blinkt die Betriebsart-Anzeige in Grün. Die Betriebsart-Anzeige hört auf zu blinken, und dann leuchtet sie auf oder erlischt, wenn Sie die auf das Werkzeug ausgeübte Last verringern.

| Betriebsart-Anzeigestatus | | | Betriebsart |
|---------------------------|---|---|----------------------|
| ● Ein | ○ Aus | ● Blinkend | |
| |  | | Hochdrehzahl-Modus |
| |  | | Hochdrehmoment-Modus |
| | |  | Überlastwarnung |

Einstellen der Schnitttiefe

⚠ VORSICHT: Ziehen Sie die Klemmschraube nach der Einstellung der Schnitttiefe stets fest an.

Lösen Sie die Klemmschraube an der Tiefenführung, und bewegen Sie den Sägeblatt-Untergrenzenanschlag zur gewünschten Tiefe auf der Skalenplatte. Ziehen Sie die Klemmschraube an der gewünschten Schnitttiefe fest an.

Um sauberere, sicherere Schnitte auszuführen, stellen Sie die Schnitttiefe so ein, dass nicht mehr als ein Sägeblattzahn unter das Werkstück übersteht. Die Einstellung der korrekten Schnitttiefe trägt zu einer Reduzierung gefährlicher RÜCKSCHLÄGE bei, die Personenschäden verursachen können.

- **Abb.11:** 1. Sägeblatt-Untergrenzenanschlag
2. Klemmschraube

Schnellanschlagknopf für Schnitttiefen von 2 bis 3 mm bei Verwendung der Führungsschiene (Sonderzubehör)

Dieses Werkzeug besitzt einen Schnellanschlagknopf für Schnitttiefen von 2 bis 3 mm am Antriebsgehäuse neben dem hinteren Handgriff bei Verwendung einer Führungsschiene. Dieser wird verwendet, um Splitter am Werkstück im Schnitt zu vermeiden. Führen Sie einen ersten Durchgang mit einem Schnitt von 2 bis 3 mm Tiefe, und dann einen zweiten Durchgang mit einem gewöhnlichen Schnitt durch.

- **Abb.12:** 1. Schnellanschlagknopf

Um eine Schnitttiefe von 2 bis 3 mm zu erhalten, drücken Sie den Schnellanschlagknopf in Richtung des Sägeblatts hinein. Dies ist praktisch, um Splitter am Werkstück zu vermeiden.

Um die Schnitttiefe von dieser Position für eine freie Schnitttiefe aufzuheben, ziehen Sie einfach den Knopf zurück.

Neigungsschnitt

Lösen Sie die Klemmschrauben. Stellen Sie den gewünschten Winkel durch entsprechendes Neigen ein, und ziehen Sie dann die Klemmschrauben sicher fest.

- **Abb.13:** 1. Klemmschraube
2. Neigungswinkelskalenplatte
- **Abb.14:** 1. Zusatzgrundplatte (Sonderzubehör)
2. Klemmschraube

Zwangsanschlag

Der Zwangsanschlag ist praktisch, um den festgelegten Winkel schnell einzustellen. Drehen Sie den Zwangsanschlag so, dass der aufgedruckte Pfeil auf 22,5° zeigt. Lösen Sie die Klemmschrauben auf der Vorder- und Rückseite. Neigen Sie dann das Sägeblatt bis zum Anschlag, und sichern Sie die Grundplatte mit den Klemmschrauben.

- **Abb.15:** 1. Zwangsanschlag 2. Klemmschraube

48°-Neigungsschnitt

Um 48°-Neigungsschnitte durchzuführen, lösen Sie die Klemmschrauben, und neigen Sie den Hebel vollständig in Richtung des Pfeils in der Abbildung. Stellen Sie dann den Neigungswinkel auf 48° ein, und ziehen Sie die Klemmschrauben fest.

- **Abb.16:** 1. Hebel

-1°-Neigungsschnitt

Um -1°-Neigungsschnitte durchzuführen, lösen Sie die Klemmschrauben, und drücken Sie die Hebel in Richtung des Pfeils in der Abbildung. Stellen Sie dann den Neigungswinkel auf -1° ein, und ziehen Sie die Klemmschrauben fest.

- **Abb.17:** 1. Hebel

Schnittmarkierung

- **Abb.18:** 1. Grundplatte

Die Schnittlinie hängt vom Schnittwinkel und der Verwendung der Führungsschiene (Sonderzubehör) ab.

Bei Verwendung des Werkzeugs ohne Führungsschiene

Richten Sie für Geradschnitte die Position A auf der Vorderseite der Grundplatte auf die Schnittlinie aus. Richten Sie für 45°-Neigungsschnitte die Position B auf die Linie aus.

Bei Verwendung des Werkzeugs mit Führungsschiene

Richten Sie für Geradschnitte und 45°-Neigungsschnitte die Position A auf der Vorderseite der Grundplatte immer auf die Schnittlinie aus.

Schalterfunktion

⚠ WARNUNG: Vergewissern Sie sich vor dem Einsetzen des Akkus in das Werkzeug stets, dass der Ein-Aus-Schalter ordnungsgemäß funktioniert und beim Loslassen in die AUS-Stellung zurückkehrt.

⚠ WARNUNG: Versuchen Sie NIEMALS, den Einschaltsperrknopf mit Klebeband oder anderen Mitteln unwirksam zu machen. Ein Schalter mit unwirksamem Einschaltsperrknopf kann zu ungewolltem Betrieb und daraus resultierenden schweren Personenschäden führen.

⚠ WARNUNG: Betreiben Sie das Werkzeug NIEMALS, wenn es durch einfache Betätigung des Ein-Aus-Schalters eingeschaltet werden kann, ohne den Einschaltsperrknopf zu drücken. Ein reparaturbedürftiger Schalter kann zu ungewolltem Betrieb und daraus resultierenden schweren Personenschäden führen. Lassen Sie das Werkzeug von einer Makita-Kundendienststelle ordnungsgemäß reparieren, BEVOR Sie es weiter benutzen.

Um versehentliche Betätigung des Ein-Aus-Schalters zu verhüten, ist das Werkzeug mit einem Einschaltsperrknopf ausgestattet. Zum Starten des Werkzeugs den Ein-Aus-Schalter bei gedrücktem Einschaltsperrknopf betätigen. Zum Ausschalten den Ein-Aus-Schalter loslassen.

► **Abb.19:** 1. Auslöseschalter 2. Einschaltsperrknopf

ANMERKUNG: Betätigen Sie den Ein-Aus-Schalter nicht gewaltsam, ohne den Einschaltsperrknopf hineinzudrücken. Dies kann zu Beschädigung des Schalters führen.

Drehzahl-Stellrad

Die Werkzeugdrehzahl kann durch Drehen des Stellrads eingestellt werden. Die Sägeblatt-Drehzahl nimmt zu, wenn Sie das Drehzahl-Stellrad auf eine höhere Nummer einstellen.

► **Abb.20:** 1. Drehzahl-Stellrad

Wählen Sie eine für das zu schneidende Werkstück geeignete Drehzahl anhand der Tabelle aus. Die korrekte Drehzahl kann jedoch je nach der Art oder Dicke des Werkstücks unterschiedlich sein. Im Allgemeinen erlauben höhere Drehzahlen schnelleres Schneiden von Werkstücken, aber die Lebensdauer des Sägeblatts wird verringert.

| Nummer | Sägeblatt-Drehzahl pro Minute (min ⁻¹) |
|--------|--|
| 1 | 2.500 min ⁻¹ |
| 2 | 2.900 min ⁻¹ |
| 3 | 3.900 min ⁻¹ |
| 4 | 4.900 min ⁻¹ |
| 5 | 6.300 min ⁻¹ |

⚠ VORSICHT: Das Drehzahl-Stellrad ist nicht für die Verwendung von Sägeblättern mit niedriger Nenndrehzahl vorgesehen. Es hat vielmehr die Aufgabe, eine für das Werkstückmaterial geeignete Drehzahl zu erhalten. Verwenden Sie nur Sägeblätter, die mindestens für die in den TECHNISCHEN DATEN angegebene maximale Leerlaufdrehzahl bemessen sind.

ANMERKUNG: Das Drehzahl-Stellrad lässt sich nur bis 5 und zurück auf 1 drehen. Wird es gewaltsam über 5 oder 1 hinaus gedreht, kann die Drehzahleinstellfunktion unbrauchbar werden.

Elektronikfunktion

Die mit Elektronikfunktionen ausgestatteten Werkzeuge weisen die folgenden Merkmale zur Bedienungserleichterung auf.

Überlastschalter

Wenn das Werkzeug überlastet wird und die Stromstärke ein bestimmtes Niveau überschreitet, bleibt das Werkzeug automatisch stehen, um den Motor zu schützen.

Konstantdrehzahlregelung

Elektronische Drehzahlregelung zur Aufrechterhaltung einer konstanten Drehzahl. Feine Oberflächengüte wird ermöglicht, weil die Drehzahl selbst unter Belastung konstant gehalten wird.

Sanftanlauf-Funktion

Diese Funktion gewährleistet ruckfreies Anlaufen durch Anlaufstoßunterdrückung.

MONTAGE

⚠ VORSICHT: Vergewissern Sie sich vor der Ausführung von Arbeiten am Werkzeug stets, dass das Werkzeug umgeschaltet und der Akku abgenommen ist.

Aufbewahrung des Inbusschlüssels

Der Inbusschlüssel kann an der in der Abbildung gezeigten Stelle aufbewahrt werden, damit er nicht verloren geht.

► **Abb.21:** 1. Inbusschlüssel

Demontieren oder Montieren des Kreissägeblatts

⚠ VORSICHT: Vergewissern Sie sich, dass das Kreissägeblatt so montiert ist, dass die Zähne auf der Vorderseite des Werkzeugs nach oben zeigen.

⚠ VORSICHT: Verwenden Sie nur den Makita-Schraubenschlüssel zum Montieren und Demontieren von Kreissägeblättern.

Zum Abnehmen des Kreissägeblatts:

1. Drücken Sie den Einschaltsperrknopf nieder, und senken Sie den Handgriff ein wenig ab. Drehen Sie den Feststellhebel, und senken Sie den Handgriff ab, bis der Arretierstift in der Öffnung sitzt.

► **Abb.22:** 1. Einschaltsperrknopf 2. Feststellhebel 3. Arretierstift 4. Öffnung für Arretierstift

2. Drücken Sie die Spindelarretierung vollständig hinein, um das Sägeblatt zu blockieren, und lösen Sie die Innensechskantschraube mit dem Inbusschlüssel.

► **Abb.23:** 1. Spindelarretierung 2. Inbusschlüssel 3. Anziehen 4. Lösen

3. Entfernen Sie Innensechskantschraube, Außenflansch und Kreissägeblatt.

► **Abb.24:** 1. Innensechskantschraube 2. Außenflansch 3. Innenflansch 4. Kreissägeblatt

⚠ WARNUNG: Falls der Innenflansch entfernt wird, muss er auf die Spindel montiert werden. Wählen Sie zur Montage die korrekte Seite, deren Vorsprung genau in die Sägeblattbohrung passt. Die Montage des Sägeblatts auf der falschen Seite kann zu gefährlichen Vibrationen führen.

Zum Montieren des Kreissägeblatts wenden Sie das Demontageverfahren umgekehrt an. Drücken Sie den Einschaltsperrknopf nieder, um den Arretierstift aus der Öffnung freizugeben.

⚠ WARNUNG: DIE INNENSECHSKANTSCHRAUBE SICHER FESTZIEHEN. Achten Sie auch darauf, die Schraube nicht gewaltsam anzuziehen. Abrutschen Ihrer Hand vom Inbusschlüssel kann einen Personenschaden verursachen.

Reinigung der Sägeblattschutzhaube

Wenn Sie das Kreissägeblatt auswechseln, reinigen Sie auch unbedingt die Sägeblattschutzhaube von angesammeltem Sägemehl, wie im Abschnitt „Wartung“ beschrieben. Solche Arbeiten erübrigen jedoch nicht die Notwendigkeit, die Funktion der Schutzhaube vor jedem Gebrauch zu überprüfen.

Anschließen eines Sauggeräts

Sonderzubehör

Um saubere Schneidarbeiten durchzuführen, schließen Sie ein Makita-Sauggerät an Ihr Werkzeug an. Schließen Sie den Schlauch des Sauggeräts unter Verwendung der Frontmanschetten 24 an den Absaugstutzen an.

- **Abb.25:** 1. Schlauch des Sauggeräts
2. Frontmanschette 24 3. Absaugstutzen

BETRIEB

⚠ VORSICHT: Schieben Sie das Werkzeug unbedingt in einer geraden Linie **sachte vor**. Zu starkes Drücken oder Verdrehen des Werkzeugs führt zu Überhitzen des Motors und gefährlichem Rückschlag, der möglicherweise schwere Verletzungen verursachen kann.

⚠ VORSICHT: Bringen Sie bei **Ausschneidarbeiten niemals einen Körperteil unter die Grundplatte, besonders beim Starten. Anderenfalls kann es zu schweren Personenschäden kommen.** Das Sägeblatt ragt frei unter die Grundplatte.

HINWEIS: Bei kaltem Akku entfaltet das Werkzeug eventuell nicht seine volle Kapazität. Benutzen Sie das Werkzeug während dieser Phase eine Zeitlang nur für leichte Schnitte, bis sich der Akku auf Raumtemperatur erwärmt hat. Dann kann das Werkzeug seine volle Kapazität entfalten.

Ausschneiden (gewöhnliches Sägen)

► Abb.26

Halten Sie das Werkzeug mit festem Griff. Das Werkzeug ist mit einem Frontgriff und einem hinteren Handgriff ausgestattet. Benutzen Sie beide Handgriffe, um das Werkzeug optimal zu halten. Wenn beide Hände die Säge halten, können Sie nicht durch das Kreissägeblatt verletzt werden. Setzen Sie die Grundplatte auf das zu schneidende Werkstück auf, ohne dass das Kreissägeblatt mit dem Werkstück in Berührung kommt. Drücken Sie dann den Einschaltsperrknopf hinein, und betätigen Sie den Auslöseschalter. Warten Sie, bis das Kreissägeblatt die volle Drehzahl erreicht hat. Drücken Sie nun den Sägekopf langsam auf die voreingestellte Schnitttiefe nieder, und schieben Sie das Werkzeug einfach über die Werkstückoberfläche vor, wobei Sie es flach halten und gleichmäßig vorrücken, bis der Schnitt ausgeführt ist.

Um saubere Schnitte zu erzielen, halten Sie eine gerade Schnittlinie und eine gleichmäßige Vorschubgeschwindigkeit ein. Falls der Schnitt sich nicht genau mit Ihrer beabsichtigten Schnittlinie deckt, versuchen Sie nicht, das Werkzeug zu drehen oder zur Schnittlinie zurückzudrücken. Dies könnte zu Klemmen des Kreissägeblatts und gefährlichem Rückschlag führen, was schwere Verletzungen verursachen kann. Lassen Sie den Schalter los, und warten Sie, bis das Kreissägeblatt zum Stillstand kommt, bevor Sie das Werkzeug zurückziehen. Richten Sie das Werkzeug auf eine neue Schnittlinie aus, und beginnen Sie einen neuen Schnitt. Vermeiden Sie eine Positionierung, bei der Sie den von der Säge herausgeschleuderten Spänen und dem Holzstaub ausgesetzt sind. Tragen Sie einen Augenschutz, um Augenverletzungen zu vermeiden.

Führungsschiene

Sonderzubehör

Setzen Sie das Werkzeug auf das hintere Ende der Führungsschiene. Drehen Sie zwei Einstellschrauben an der Grundplatte, so dass das Werkzeug ohne Klappern reibungslos gleitet. Halten Sie den Frontgriff und den hinteren Handgriff des Werkzeugs sicher fest. Schalten Sie das Werkzeug ein, drücken Sie das Werkzeug auf die voreingestellte Schnitttiefe nieder, und schneiden Sie entlang der vollen Länge des Splitterschutzes mit einem Hub. Nun entspricht die Kante des Splitterschutzes der Schneidkante.

- **Abb.27:** 1. Einstellschrauben

Verwenden Sie für Neigungsschnitte mit der Führungsschiene den Schiebehebel, um Umkippen des Werkzeugs zu verhindern. Schieben Sie den Schiebehebel an der Grundplatte in Pfeilrichtung, so dass er in die Unterschnittnut in der Führungsschiene eingreift.

- **Abb.28:** 1. Schiebehebel

Zusatzgrundplatte (Richtlineal)

Sonderzubehör

Durch Verwendung der Zusatzgrundplatte als Richtlineal können Sie besonders genaue Geradschnitte ausführen. Lösen Sie die Klemmschrauben, schieben Sie die Zusatzgrundplatte aus dem Werkzeug heraus, und führen Sie sie umgekehrt wieder ein.

- **Abb.29:** 1. Klemmschraube 2. Zusatzgrundplatte

Schieben Sie einfach den Gehrungsanschlag der Zusatzgrundplatte fest gegen die Seite des Werkstücks, und sichern Sie ihn mit den Klemmschrauben. Außerdem ermöglicht er wiederholte Schnitte von gleichförmiger Breite.

- **Abb.30:** 1. Klemmschraube 2. Zusatzgrundplatte

Tauchschnitt (Ausschneiden)

⚠ WARNUNG: Um Rückschlag zu vermeiden, beachten Sie unbedingt die folgenden Anweisungen.

- **Abb.31:** 1. Hinterkante der Grundplatte 2. Fester Anschlag

Wenn Sie das Werkzeug ohne Führungsschiene verwenden, setzen Sie das Werkzeug so auf das Werkstück, dass die Hinterkante der Grundplatte an einem festen Anschlag oder dergleichen anliegt, der von einem Bediener entwickelt worden ist.

Wenn Sie das Werkzeug mit Führungsschiene verwenden, setzen Sie das Werkzeug so auf die Führungsschiene, dass die Hinterkante der Grundplatte an einem festen Anschlag oder dergleichen anliegt, der auf die Führungsschiene aufgespannt ist.

Halten Sie das Werkzeug mit einer Hand am Frontgriff und mit der anderen am Werkzeuggriff fest. Drücken Sie dann den Einschaltsperrknopf hinein, schalten Sie das Werkzeug ein, und warten Sie, bis das Sägeblatt die volle Drehzahl erreicht. Drücken Sie nun den Sägekopf langsam auf die voreingestellte Schnitttiefe nieder, und schieben Sie das Werkzeug einfach auf die gewünschte Tauchschnittposition vor.

HINWEIS: Die Markierungen auf der Seite der Sägeblattschutzhaube zeigen den absoluten vorderen und hinteren Schnittpunkt des Sägeblatts an der maximalen Schnitttiefe bei Verwendung der Führungsschiene.

► **Abb.32:** 1. Vorderer Schnittpunkt 2. Hinterer Schnittpunkt

Führungsvorrichtung

Sonderzubehör

Die Verwendung der Winkelführung gestattet genaue Gehrungsschnitte mit Winkeln und Passarbeiten. Die Verwendung der Klemme gewährleistet festen Halt des Werkstücks auf dem Tisch.

FUNK-AKTIVIERUNGSFUNKTION

Nur für DSP601

Mit der Funk-Aktivierungsfunktion verfügbare Möglichkeiten

Die Funk-Aktivierungsfunktion ermöglicht sauberen und komfortablen Betrieb. Wenn Sie ein unterstütztes Sauggerät an das Werkzeug anschließen, können Sie das Sauggerät automatisch mit der Schalterbetätigung des Werkzeugs betreiben.

► **Abb.33**

Um die Funk-Aktivierungsfunktion zu benutzen, benötigen Sie die folgenden Gegenstände:

- Einen Funk-Adapter
- Ein Sauggerät, das die Funk-Aktivierungsfunktion unterstützt

Die Übersicht über die Einstellung der Funk-Aktivierungsfunktion ist wie folgt. Ausführliche Verfahren entnehmen Sie bitte dem jeweiligen Abschnitt.

1. Installieren des Funk-Adapters
2. Werkzeugregistrierung für das Sauggerät
3. Starten der Funk-Aktivierungsfunktion

Installieren des Funk-Adapters

⚠ VORSICHT: Legen Sie das Werkzeug zum Installieren des Funk-Adapters auf eine ebene und stabile Oberfläche.

ANMERKUNG: Entfernen Sie Staub und Schmutz vom Werkzeug, bevor Sie den Funk-Adapter installieren. Staub oder Schmutz können eine Funktionsstörung verursachen, falls sie in den Steckplatz des Funk-Adapters gelangen.

ANMERKUNG: Um eine durch statische Entladung verursachte Funktionsstörung zu verhindern, berühren Sie ein Statikentladungsmaterial, wie z. B. ein Metallteil des Werkzeugs, bevor Sie den Funk-Adapter anfassen.

ANMERKUNG: Achten Sie beim Installieren des Funk-Adapters immer darauf, dass der Funk-Adapter in der korrekten Richtung eingeführt wird und der Deckel vollständig geschlossen ist.

1. Öffnen Sie den Deckel am Werkzeug, wie in der Abbildung gezeigt.

► **Abb.34:** 1. Deckel

2. Führen Sie den Funk-Adapter in den Steckplatz ein, und schließen Sie dann den Deckel.

Wenn Sie den Funk-Adapter einführen, richten Sie die Vorsprünge auf die Vertiefungen des Steckplatzes aus.

► **Abb.35:** 1. Funk-Adapter 2. Vorsprung 3. Deckel 4. Vertiefung

Zum Entfernen des Funk-Adapters öffnen Sie den Deckel langsam. Die Haken an der Rückseite des Deckels heben den Funk-Adapter an, wenn Sie den Deckel hochziehen.

► **Abb.36:** 1. Funk-Adapter 2. Haken 3. Deckel

Bewahren Sie den Funk-Adapter nach der Entnahme in der mitgelieferten Schachtel oder einem statikfreien Behälter auf.

ANMERKUNG: Verwenden Sie immer die Haken an der Rückseite des Deckels zum Entfernen des Funk-Adapters. Falls die Haken den Funk-Adapter nicht greifen, schließen Sie den Deckel vollständig, und öffnen Sie ihn dann wieder langsam.

Werkzeugregistrierung für das Sauggerät

HINWEIS: Ein Makita-Sauggerät, das die Funk-Aktivierungsfunktion unterstützt, ist für die Werkzeugregistrierung erforderlich.

HINWEIS: Die Installation des Funk-Adapters im Werkzeug muss vollendet sein, bevor mit der Werkzeugregistrierung begonnen wird.

HINWEIS: Unterlassen Sie während der Werkzeugregistrierung die Betätigung des Auslöseschalters oder das Einschalten des Ein-Aus-Schalters am Sauggerät.

HINWEIS: Nehmen Sie auch auf die Betriebsanleitung des Sauggerätes Bezug.

Wenn Sie das Sauggerät zusammen mit der Schalterbetätigung des Werkzeugs aktivieren möchten, müssen Sie zuvor die Werkzeugregistrierung beenden.

1. Setzen Sie die Akkus in das Sauggerät und das Werkzeug ein.
2. Stellen Sie den Bereitschaftsschalter am Sauggerät auf „AUTO“.
► **Abb.37:** 1. Bereitschaftsschalter
3. Drücken Sie die Funk-Aktivierungstaste am Sauggerät für 3 Sekunden, bis die Funk-Aktivierungslampe in Grün blinkt. Drücken Sie dann die Funk-Aktivierungstaste am Werkzeug in der gleichen Weise.
► **Abb.38:** 1. Funk-Aktivierungstaste
2. Funk-Aktivierungslampe

Wenn Sauggerät und Werkzeug erfolgreich verbunden werden, leuchten die Funk-Aktivierungslampen 2 Sekunden lang in Grün auf und beginnen dann in Blau zu blinken.

HINWEIS: Nach Ablauf von 20 Sekunden hören die Funk-Aktivierungslampen auf, in Grün zu blinken. Drücken Sie die Funk-Aktivierungstaste am Werkzeug los, während die Funk-Aktivierungslampe am Sauggerät blinkt. Falls die Funk-Aktivierungslampe nicht in Grün blinkt, drücken Sie die Funk-Aktivierungstaste kurz, und halten Sie sie erneut gedrückt.

HINWEIS: Wenn Sie zwei oder mehr Werkzeugregistrierungen für ein Sauggerät durchführen, beenden Sie die Werkzeugregistrierungen nacheinander.

Starten der Funk-Aktivierungsfunktion

HINWEIS: Beenden Sie die Werkzeugregistrierung für das Sauggerät vor der Funk-Aktivierung.

HINWEIS: Nehmen Sie auch auf die Betriebsanleitung des Sauggerätes Bezug.

Nachdem Sie ein Werkzeug im Sauggerät registriert haben, läuft das Sauggerät automatisch mit der Schalterbetätigung am Werkzeug an.

1. Installieren Sie den Funk-Adapter im Werkzeug.
2. Schließen Sie den Schlauch des Sauggerätes am Werkzeug an.
► **Abb.39**
3. Stellen Sie den Bereitschaftsschalter am Sauggerät auf „AUTO“.
► **Abb.40:** 1. Bereitschaftsschalter
4. Drücken Sie die Funk-Aktivierungstaste am Werkzeug kurz. Die Funk-Aktivierungslampe blinkt in Blau.
► **Abb.41:** 1. Funk-Aktivierungstaste
2. Funk-Aktivierungslampe

5. Betätigen Sie den Auslöseschalter des Werkzeugs. Prüfen Sie, ob das Sauggerät läuft, während der Auslöseschalter betätigt wird.

Um die Funk-Aktivierung des Sauggerätes zu stoppen, drücken Sie die Funk-Aktivierungstaste am Werkzeug.

HINWEIS: Die Funk-Aktivierungslampe am Werkzeug hört auf, in Blau zu blinken, wenn 2 Stunden lang kein Betrieb erfolgt. Stellen Sie in diesem Fall den Bereitschaftsschalter am Sauggerät auf „AUTO“, und drücken Sie die Funk-Aktivierungstaste am Werkzeug erneut.

HINWEIS: Das Sauggerät startet/stoppt mit einer Verzögerung. Es tritt eine Zeitverzögerung auf, wenn das Sauggerät eine Schalterbetätigung des Werkzeugs erkennt.










HINWEIS: Die Übertragungreichweite des Funk-Adapters kann abhängig vom Ort und den Umgebungsbedingungen schwanken.

HINWEIS: Wenn zwei oder mehr Werkzeuge in einem Sauggerät registriert sind, kann das Sauggerät anlaufen, selbst wenn Sie den Auslöseschalter nicht betätigen, weil ein anderer Benutzer die Funk-Aktivierungsfunktion benutzt.

Beschreibung des Zustands der Funk-Aktivierungslampe

► Abb.42: 1. Funk-Aktivierungslampe

Die Funk-Aktivierungslampe zeigt den Zustand der Funk-Aktivierungsfunktion an. Die Bedeutung des Lampenzustands ist aus der nachstehenden Tabelle ersichtlich.

| Zustand | Funk-Aktivierungslampe | | | | Beschreibung |
|------------------------------------|------------------------|---|--|--------------------------|---|
| | Farbe |  Ein |  Blinkend | Dauer | |
| Bereitschaft | Blau |  | | 2 Stunden | Die Funk-Aktivierung des Sauggerätes ist verfügbar. Die Lampe erlischt automatisch, wenn 2 Stunden lang kein Betrieb erfolgt. |
| | |  | | Wenn das Werkzeug läuft. | Die Funk-Aktivierung des Sauggerätes ist verfügbar, und das Werkzeug läuft. |
| Werkzeugregistrierung | Grün |  | | 20 Sekunden | Bereit für die Werkzeugregistrierung. Warten auf die Registrierung durch das Sauggerät. |
| | |  | | 2 Sekunden | Die Werkzeugregistrierung ist beendet worden. Die Funk-Aktivierungslampe beginnt, in Blau zu blinken. |
| Aufheben der Werkzeugregistrierung | Rot |  | | 20 Sekunden | Bereit für die Aufhebung der Werkzeugregistrierung. Warten auf die Aufhebung durch das Sauggerät. |
| | |  | | 2 Sekunden | Die Aufhebung der Werkzeugregistrierung ist beendet worden. Die Funk-Aktivierungslampe beginnt, in Blau zu blinken. |
| Sonstiges | Rot |  | | 3 Sekunden | Der Funk-Adapter wird mit Strom versorgt, und die Funk-Aktivierungsfunktion wird gestartet. |
| | Aus | - | | - | Die Funk-Aktivierung des Sauggerätes ist gestoppt. |

Aufheben der Werkzeugregistrierung für das Sauggerät

Führen Sie das folgende Verfahren durch, um die Werkzeugregistrierung für das Sauggerät aufzuheben.

1. Setzen Sie die Akkus in das Sauggerät und das Werkzeug ein.
2. Stellen Sie den Bereitschaftsschalter am Sauggerät auf „AUTO“.
3. Drücken Sie die Funk-Aktivierungstaste am Sauggerät für 6 Sekunden. Die Funk-Aktivierungslampe blinkt in Grün und wird dann rot. Drücken Sie danach die Funk-Aktivierungstaste am Werkzeug in der gleichen Weise.

- **Abb.44:** 1. Funk-Aktivierungstaste
2. Funk-Aktivierungslampe

Wenn die Aufhebung erfolgreich war, leuchten die Funk-Aktivierungslampen 2 Sekunden lang in Rot auf und beginnen dann in Blau zu blinken.

HINWEIS: Nach Ablauf von 20 Sekunden hören die Funk-Aktivierungslampen auf, in Rot zu blinken. Drücken Sie die Funk-Aktivierungstaste am Werkzeug los, während die Funk-Aktivierungslampe am Sauggerät blinkt. Falls die Funk-Aktivierungslampe nicht in Rot blinkt, drücken Sie die Funk-Aktivierungstaste kurz, und halten Sie sie erneut gedrückt.

Fehlersuche für Funk-Aktivierungsfunktion

Bevor Sie den Reparaturdienst anrufen, führen Sie zunächst Ihre eigene Inspektion durch. Falls Sie ein Problem finden, das nicht in der Anleitung erläutert wird, versuchen Sie nicht, das Werkzeug zu zerlegen. Wenden Sie sich stattdessen an autorisierte Makita-Kundendienstzentren, und achten Sie darauf, dass stets Makita-Ersatzteile für Reparaturen verwendet werden.

| Zustand der Unregelmäßigkeit | Wahrscheinliche Ursache (Funktionsstörung) | Abhilfemaßnahme |
|--|--|---|
| Die Funk-Aktivierungslampe leuchtet/blinkt nicht. | Es ist kein Funk-Adapter im Werkzeug installiert. Der Funk-Adapter ist falsch im Werkzeug installiert. | Installieren Sie den Funk-Adapter korrekt. |
| | Die Kontakte des Funk-Adapters und/oder des Steckplatzes sind verschmutzt. | Wischen Sie Staub und Schmutz an den Kontakten des Funk-Adapters sachte ab, und reinigen Sie den Steckplatz. |
| | Die Funk-Aktivierungstaste am Werkzeug ist nicht gedrückt worden. | Drücken Sie die Funk-Aktivierungstaste am Werkzeug kurz. |
| | Der Bereitschaftsschalter am Sauggerät ist nicht auf „AUTO“ eingestellt. | Stellen Sie den Bereitschaftsschalter am Sauggerät auf „AUTO“. |
| | Keine Stromversorgung | Versorgen Sie Werkzeug und Sauggerät mit Strom. |
| Die Werkzeugregistrierung/Aufhebung der Werkzeugregistrierung kann nicht erfolgreich beendet werden. | Es ist kein Funk-Adapter im Werkzeug installiert. Der Funk-Adapter ist falsch im Werkzeug installiert. | Installieren Sie den Funk-Adapter korrekt. |
| | Die Kontakte des Funk-Adapters und/oder des Steckplatzes sind verschmutzt. | Wischen Sie Staub und Schmutz an den Kontakten des Funk-Adapters sachte ab, und reinigen Sie den Steckplatz. |
| | Der Bereitschaftsschalter am Sauggerät ist nicht auf „AUTO“ eingestellt. | Stellen Sie den Bereitschaftsschalter am Sauggerät auf „AUTO“. |
| | Keine Stromversorgung | Versorgen Sie Werkzeug und Sauggerät mit Strom. |
| | Falsche Bedienung | Drücken Sie die Funk-Aktivierungstaste kurz, und führen Sie das Verfahren der Werkzeugregistrierung/Aufhebung der Werkzeugregistrierung erneut durch. |
| | Der Abstand zwischen Werkzeug und Sauggerät ist zu groß (außerhalb der Übertragungreichweite). | Verkleinern Sie den Abstand zwischen Werkzeug und Sauggerät. Die maximale Übertragungreichweite beträgt ungefähr 10 m, sie kann aber je nach den Umständen schwanken. |
| | Vor Beendung der Werkzeugregistrierung/Aufhebung der Werkzeugregistrierung: - der Auslöseschalter am Werkzeug wird betätigt, oder - die Ein-Aus-Taste am Sauggerät wird eingeschaltet. | Drücken Sie die Funk-Aktivierungstaste kurz, und führen Sie das Verfahren der Werkzeugregistrierung/Aufhebung der Werkzeugregistrierung erneut durch. |
| | Die Verfahren der Werkzeugregistrierung für das Werkzeug oder das Sauggerät sind nicht beendet. | Führen Sie die Verfahren der Werkzeugregistrierung sowohl für das Werkzeug als auch das Sauggerät zum selben Zeitpunkt durch. |
| Funkstörungen durch andere Geräte, die starke Funkwellen erzeugen. | Halten Sie das Werkzeug und das Sauggerät von solchen Geräten wie WLAN-Geräten und Mikrowellenöfen fern. | |

| Zustand der Unregelmäßigkeit | Wahrscheinliche Ursache (Funktionsstörung) | Abhilfemaßnahme |
|--|---|--|
| Das Sauggerät läuft bei der Schalterbetätigung des Werkzeugs nicht an. | Es ist kein Funk-Adapter im Werkzeug installiert. Der Funk-Adapter ist falsch im Werkzeug installiert. | Installieren Sie den Funk-Adapter korrekt. |
| | Die Kontakte des Funk-Adapters und/oder des Steckplatzes sind verschmutzt. | Wischen Sie Staub und Schmutz an den Kontakten des Funk-Adapters sachte ab, und reinigen Sie den Steckplatz. |
| | Die Funk-Aktivierungstaste am Werkzeug ist nicht gedrückt worden. | Drücken Sie die Funk-Aktivierungstaste kurz, und vergewissern Sie sich, dass die Funk-Aktivierungslampe in Blau blinkt. |
| | Der Bereitschaftsschalter am Sauggerät ist nicht auf „AUTO“ eingestellt. | Stellen Sie den Bereitschaftsschalter am Sauggerät auf „AUTO“. |
| | Es sind mehr als 10 Werkzeuge im Sauggerät registriert. | Führen Sie die Werkzeugregistrierung erneut durch. Wenn mehr als 10 Werkzeuge im Sauggerät registriert werden, wird die Registrierung des ersten Werkzeugs automatisch gelöscht. |
| | Das Sauggerät hat alle Werkzeugregistrierungen gelöscht. | Führen Sie die Werkzeugregistrierung erneut durch. |
| | Keine Stromversorgung | Versorgen Sie Werkzeug und Sauggerät mit Strom. |
| | Der Abstand zwischen Werkzeug und Sauggerät ist zu groß (außerhalb der Übertragungreichweite). | Verkleinern Sie den Abstand zwischen Werkzeug und Sauggerät. Die maximale Übertragungreichweite beträgt ungefähr 10 m, sie kann aber je nach den Umständen schwanken. |
| Funkstörungen durch andere Geräte, die starke Funkwellen erzeugen. | Halten Sie das Werkzeug und das Sauggerät von solchen Geräten wie WLAN-Geräten und Mikrowellenöfen fern. | |
| Das Sauggerät läuft an, obwohl der Auslöseschalter des Werkzeugs nicht betätigt wurde. | Andere Benutzer nutzen die Funk-Aktivierung des Sauggerätes mit ihren Werkzeugen. | Schalten Sie die Funk-Aktivierungstaste der anderen Werkzeuge aus, oder heben Sie die Werkzeugregistrierung der anderen Werkzeuge auf. |

WARTUNG

⚠ VORSICHT: Vergewissern Sie sich vor der Durchführung von Inspektions- oder Wartungsarbeiten stets, dass das Werkzeug ausgeschaltet und der Akku abgenommen ist.

⚠ VORSICHT: Säubern Sie die Schutzhaube, um sicherzugehen, dass kein angesammeltes Sägemehl vorhanden ist, das die Funktion des Schutzsystems beeinträchtigen könnte. Ein verschmutztes Schutzsystem kann die ordnungsgemäße Funktion einschränken, was zu schweren Personenschäden führen kann. Am effektivsten kann diese Reinigung mit Druckluft durchgeführt werden. **Verwenden Sie unbedingt einen geeigneten Augenschutz und eine Atemmaske, um sich vor dem aus der Schutzhaube herausgeblasenen Staub zu schützen.**

ANMERKUNG: Verwenden Sie auf keinen Fall Benzin, Waschbenzin, Verdüner, Alkohol oder dergleichen. Solche Mittel können Verfärbung, Verformung oder Rissbildung verursachen.

Einstellen der 0°- und 45°-Schnittgenauigkeit

ANMERKUNG: Rücken Sie nicht die Hebel für -1°-Neigungswinkel ein, wenn Sie eine 0°-Schnittgenauigkeit einstellen.

ANMERKUNG: Rücken Sie nicht den Hebel für 48°-Neigungswinkel ein, wenn Sie eine 45°-Schnittgenauigkeit einstellen.

Diese Einstellungen sind werksseitig durchgeführt worden. Falls sie jedoch verstellt sind, können Sie sie nach den folgenden Verfahren korrigieren.

- Lösen Sie die Klemmschrauben an der Vorder- und Rückseite des Werkzeugs geringfügig.
- Stellen Sie den Sägeblattwinkel ein.
► **Abb.45:** 1. Einstelldreieck

Um die 0°-Schnittgenauigkeit einzustellen, richten Sie die Grundplatte mithilfe eines Einstelldreiecks oder Richtlineals usw. durch Drehen der Einstellschraube senkrecht zum Sägeblatt aus.
► **Abb.46:** 1. Einstellschraube für 0°-Schnitt

Um die 45°-Schnittgenauigkeit einzustellen, richten Sie die Grundplatte mithilfe eines Einstelldreiecks durch Drehen der Einstellschraube auf 45° zum Sägeblatt aus.
► **Abb.47:** 1. Einstellschraube für 45°-Schnitt

- Ziehen Sie die Klemmschrauben fest, und führen Sie einen Probeschnitt durch.

Um die SICHERHEIT und ZUVERLÄSSIGKEIT dieses Produkts zu gewährleisten, sollten Reparaturen und andere Wartungs- oder Einstellarbeiten nur von Makita-Vertragswerkstätten oder Makita-Kundendienstzentren unter ausschließlicher Verwendung von Makita-Originalersatzteilen ausgeführt werden.

SONDERZUBEHÖR

⚠ VORSICHT: Die folgenden Zubehörteile oder Vorrichtungen werden für den Einsatz mit dem in dieser Anleitung beschriebenen Makita-Werkzeug empfohlen. Die Verwendung anderer Zubehörteile oder Vorrichtungen kann eine Verletzungsgefahr darstellen. Verwenden Sie Zubehörteile oder Vorrichtungen nur für ihren vorgesehenen Zweck.

Wenn Sie weitere Einzelheiten bezüglich dieser Zubehörteile benötigen, wenden Sie sich bitte an Ihre Makita-Kundendienststelle.

- Kreissägeblatt
- Zusatzgrundplatte
- Inbusschlüssel
- Führungsschiene
- Winkelführung
- Klemme
- Platte
- Gummiplatte
- Positionsplatte
- Funk-Adapter (für DSP601)
- Original-Makita-Akku und -Ladegerät

HINWEIS: Manche Teile in der Liste können als Standardzubehör im Werkzeugsatz enthalten sein. Sie können von Land zu Land unterschiedlich sein.

DATI TECNICI

| Modello: | | DSP600 | DSP601 |
|---------------------------|------------------------|--|--------|
| Diametro lama | | 165 mm | |
| Profondità di taglio max. | a 0° | 56 mm | |
| | taglio a unghia di 45° | 40 mm | |
| | taglio a unghia di 48° | 38 mm | |
| Velocità a vuoto | | Da 2.500 a 6.300 min ⁻¹ | |
| Lunghezza complessiva | | 346 mm | |
| Tensione nominale | | 36 V CC | |
| Cartuccia della batteria | | BL1815N, BL1820, BL1820B, BL1830, BL1830B, BL1840, BL1840B, BL1850, BL1850B, BL1860B | |
| Caricabatterie | | DC18RC, DC18RD, DC18SD, DC18SE, DC18SF | |
| Peso netto | | 4,4 - 5,1 kg | |

- A causa del nostro programma continuativo di ricerca e sviluppo, i dati tecnici sono soggetti a modifiche senza preavviso.
- I dati tecnici e la cartuccia della batteria potrebbero differire da nazione a nazione.
- Il peso può variare a seconda dell'accessorio o degli accessori, inclusa la cartuccia della batteria. La combinazione più leggera e quella più pesante, secondo la procedura EPTA 01/2014, sono indicate nella tabella.

Utilizzo previsto

Questo utensile è destinato specificamente alla realizzazione di tagli a immersione. Questo utensile è anche destinato alla realizzazione di tagli longitudinali e trasversali nel legno. Qualora l'utensile venga dotato di una lama circolare adeguata, è possibile utilizzarlo per segare alluminio, plastica, minerali contenenti plastica e materiali simili.

Rumore

Livello tipico di rumore pesato A determinato in base allo standard EN62841:

Modello DSP600

Livello di pressione sonora (L_{pA}): 92 dB (A)

Livello di potenza sonora (L_{WA}): 103 dB (A)

Incertezza (K): 3 dB (A)

Modello DSP601

Livello di pressione sonora (L_{pA}): 92 dB (A)

Livello di potenza sonora (L_{WA}): 103 dB (A)

Incertezza (K): 3 dB (A)

AVVERTIMENTO: Indossare protezioni per le orecchie.

Vibrazioni

Valore totale delle vibrazioni (somma vettoriale triassiale) determinato in base allo standard EN62841:

Modello DSP600

Modalità di lavoro: taglio del legno

Emissione di vibrazioni ($a_{h,W}$): 2,5 m/s² o inferiore

Incertezza (K): 1,5 m/s²

Modalità di lavoro: taglio del metallo

Emissione di vibrazioni ($a_{h,M}$): 2,5 m/s² o inferiore

Incertezza (K): 1,5 m/s²

Modello DSP601

Modalità di lavoro: taglio del legno

Emissione di vibrazioni ($a_{h,W}$): 2,5 m/s² o inferiore

Incertezza (K): 1,5 m/s²

Modalità di lavoro: taglio del metallo

Emissione di vibrazioni ($a_{h,M}$): 2,5 m/s² o inferiore

Incertezza (K): 1,5 m/s²

NOTA: Il valore di emissione delle vibrazioni dichiarato è stato misurato in conformità al metodo standard di verifica, e può essere utilizzato per confrontare un utensile con un altro.

NOTA: Il valore di emissione delle vibrazioni dichiarato può venire utilizzato anche per una valutazione preliminare dell'esposizione.

AVVERTIMENTO: L'emissione delle vibrazioni durante l'utilizzo effettivo dell'utensile elettrico può variare rispetto al valore di emissione dichiarato, a seconda dei modi in cui viene utilizzato l'utensile.

AVVERTIMENTO: Accertarsi di identificare le misure di sicurezza per la protezione dell'operatore basate sulla stima dell'esposizione nelle condizioni effettive di utilizzo (tenendo presente tutte le parti del ciclo operativo, ad esempio le volte in cui l'utensile viene spento e quando gira a vuoto, oltre al tempo di attivazione).

Dichiarazione di conformità CE

Solo per i paesi europei

La dichiarazione di conformità CE è inclusa nell'Allegato A al presente manuale di istruzioni.

AVVERTENZE DI SICUREZZA

Avvertenze generali relative alla sicurezza dell'utensile elettrico

⚠ AVVERTIMENTO: Leggere tutte le avvertenze di sicurezza, le istruzioni, le illustrazioni e i dati tecnici forniti con il presente utensile elettrico. La mancata osservanza di tutte le istruzioni elencate di seguito potrebbe risultare in scosse elettriche, incendi e/o gravi lesioni personali.

Conservare tutte le avvertenze e le istruzioni come riferimento futuro.

Il termine "utensile elettrico" nelle avvertenze si riferisce sia all'utensile elettrico (cablato) nel funzionamento alimentato da rete elettrica che all'utensile elettrico (a batteria) nel funzionamento alimentato a batteria.

Avvertenze di sicurezza per la sega circolare a batteria

Procedure di taglio

1. **⚠ PERICOLO:** Tenere le mani lontane dall'area di taglio e dalla lama. Tenere la mano che non impugna l'utensile sul manico ausiliario o sull'alloggiamento del motore. Se si mantiene la sega con entrambe le mani, queste ultime non possono venire tagliate dalla lama.
 2. **Non mettere le mani sotto il pezzo.** La protezione non può proteggere l'operatore dalla lama al di sotto del pezzo.
 3. **Regolare la profondità di taglio in base allo spessore del pezzo.** Sotto il pezzo i denti della lama dovrebbero essere visibili per una lunghezza inferiore a un intero dente.
 4. **Non mantenere mai tra le mani o appoggiato di traverso sulla gamba il pezzo in lavorazione durante il taglio. Fissare il pezzo in lavorazione su una piattaforma stabile.** È importante sostenere correttamente il pezzo in lavorazione per ridurre al minimo l'esposizione del corpo, gli inceppamenti della lama o la perdita di controllo.
- Fig.1
5. **Mantenere l'utensile elettrico per le superfici di impugnatura isolate quando si intende eseguire un'operazione in cui l'utensile da taglio potrebbe entrare in contatto con fili elettrici nascosti o con il proprio cavo di alimentazione.** Il contatto con un filo elettrico sotto tensione mette sotto tensione anche le parti metalliche esposte dell'utensile elettrico, e potrebbe causare una scossa elettrica all'operatore.
 6. **Quando si intende eseguire tagli longitudinali, utilizzare sempre una guida di taglio o una guida per bordi dritti.** In tal modo si migliora la precisione del taglio e si riduce il rischio che la lama si blocchi.

7. **Utilizzare sempre lame con dimensione e forma corretta (a diamante rispetto a quella circolare) dei fori per l'albero.** Le lame che non corrispondono all'attacco di montaggio della sega girano decentrate, causando la perdita di controllo.
8. **Non utilizzare mai rondelle o bulloni per la lama danneggiati o errati.** Le rondelle e i bulloni per la lama sono stati progettati appositamente per le prestazioni ottimali e per la sicurezza d'uso della sega.

Cause dei contraccolpi e avvertenze correlate

- il contraccolpo è una reazione improvvisa dovuta a una lama incastrata, inceppata o disallineata, che causa il sollevamento fuori dal pezzo in lavorazione e verso l'operatore di una sega fuori controllo;
- quando la lama è incastrata o inceppata con forza dal taglio che si chiude, la lama entra in stallo e la reazione del motore spinge rapidamente all'indietro l'unità verso l'operatore;
- qualora la lama si deformi o si disallinei nel taglio, i denti sul bordo posteriore della lama possono scavare nella superficie superiore del legno facendola fuoriuscire dal taglio e rimbalzare all'indietro verso l'operatore.

Il contraccolpo è il risultato dell'uso improprio della sega e/o di procedure o condizioni operative errate, e può essere evitato adottando le precauzioni appropriate indicate di seguito.

1. **Mantenere una presa solida con entrambe le mani sulla sega, e posizionare le braccia in modo da resistere alle forze del contraccolpo. Posizionare il corpo da un lato o dall'altro della lama, e non allineato con quest'ultima.** Un contraccolpo potrebbe far saltare all'indietro la sega, ma le sue forze possono essere controllate dall'operatore, se vengono adottate le precauzioni appropriate.
2. **Quando la lama si sta bloccando, oppure se per un qualsiasi motivo si intende interrompere il taglio, rilasciare l'interruttore e tenere la sega immobile nel materiale fino al suo arresto completo. Non cercare mai di rimuovere la sega dal pezzo o di tirarla all'indietro mentre la lama è in movimento, oppure si potrebbe verificare un contraccolpo.** Indagare e adottare delle misure correttive per eliminare la causa del blocco della lama.
3. **Quando si riavvia una sega all'interno di un pezzo in lavorazione, centrare la lama nel taglio in modo che i denti della sega non siano in contatto con il materiale.** Qualora la lama si inceppi, potrebbe risalire o produrre un contraccolpo dal pezzo in lavorazione quando la sega viene riavviata.
4. **Supportare i pannelli di grandi dimensioni per ridurre al minimo il rischio che la lama resti incastrata e i contraccolpi.** I pannelli di grandi dimensioni tendono a flettersi sotto il loro stesso peso. È necessario sistemare dei sostegni sotto il pannello su entrambi i lati, vicino alla linea di taglio e in prossimità dei bordi del pannello.

► Fig.2

► Fig.3

5. **Non utilizzare lame smussate o danneggiate.**
Le lame non affilate o non applicate correttamente producono un taglio stretto che può causare frizioni eccessive, blocchi della lama e contraccolpi.
6. **Le leve di blocco della profondità della lama e di regolazione del taglio a unghia devono essere fissate saldamente prima del taglio.**
Qualora la regolazione della lama si sposti durante il taglio, potrebbe causare un blocco o un contraccolpo della lama.
7. **Fare particolarmente attenzione quando si intende segare in pareti esistenti o altre aree cieche.** La lama che sporge potrebbe tagliare oggetti che possono causare contraccolpi.
8. **Tenere SEMPRE saldamente l'utensile con entrambe le mani. Non posizionare MAI una mano, una gamba o qualsiasi altra parte del corpo sotto la base dell'utensile o dietro la sega, specialmente quando si intende eseguire tagli di testa.** Qualora si verifichi un contraccolpo, la sega potrebbe facilmente saltare all'indietro sulla mano, causando gravi lesioni personali.

► Fig.4

9. **Non forzare mai la sega. Spingere in avanti la sega a una velocità tale che la lama tagli senza rallentare.** Qualora si forzi la sega, si potrebbero causare tagli irregolari, perdita di precisione e possibili contraccolpi.

Funzioni di protezione

1. **Controllare sempre che la protezione si chiuda correttamente prima di ciascun utilizzo. Non utilizzare la sega qualora la protezione non si muova liberamente e non racchiuda la lama istantaneamente. Non fissare né legare mai la protezione in modo da lasciare esposta la lama.** Qualora la sega venga fatta cadere accidentalmente, la protezione potrebbe piegarsi. Verificare che la protezione si muova liberamente e che non tocchi la lama o qualsiasi altra parte, a tutti gli angoli e a tutte le profondità di taglio.
2. **Controllare il funzionamento e la condizione della molla di ritorno della protezione. Qualora la protezione e la molla non funzionino correttamente, devono essere sottoposte a manutenzione prima dell'uso.** La protezione potrebbe funzionare in modo lento a causa di parti danneggiate, depositi gommosi o un accumulo di detriti.
3. **Accertarsi che la piastra di base della sega non si sposti durante l'esecuzione di un "taglio a immersione".** Lo spostamento laterale della lama causa inceppamenti e un probabile contraccolpo.
4. **Accertarsi sempre che la protezione copra la lama, prima di appoggiare la sega sul banco da lavoro o sul pavimento.** Una lama non protetta in rotazione inerziale fa procedere all'indietro la sega, tagliando tutto ciò che incontra sul suo percorso. Tenere presente il tempo necessario alla lama per arrestarsi dopo il rilascio dell'interruttore.

Avvertenze aggiuntive per la sicurezza

1. **Adottare estrema cautela quando si intende tagliare legno umido, legname trattato a pressione o legno contenente nodi.** Mantenere un avanzamento uniforme dell'utensile senza ridurre la velocità della lama, per evitare il surriscaldamento delle punte della lama e, qualora si intenda tagliare materiali plastici, per evitare la fusione della plastica.
2. **Non cercare di rimuovere il materiale tagliato quando la lama è in movimento. Attendere che la lama si sia arrestata prima di afferrare il materiale tagliato.** Le lame continuano a girare per inerzia dopo lo spegnimento.
3. **Evitare di tagliare i chiodi. Ispezionare il legname e rimuovere tutti i chiodi prima di eseguire tagli.**
4. **Collocare la porzione più ampia della base della sega sulla parte del pezzo supportata saldamente, e non sulla sezione destinata a cadere una volta eseguito il taglio.** Qualora il pezzo sia corto o piccolo, bloccarlo con una morsa. **NON TENTARE DI TENERE IN MANO I PEZZI CORTI!**

► Fig.5

5. **Prima di posare l'utensile dopo aver completato un taglio, accertarsi che la protezione si sia chiusa e che la lama si sia arrestata completamente.**
6. **Non tentare mai di segare con la sega circolare tenuta capovolta in una morsa.** Ciò è estremamente pericoloso e può causare incidenti gravi.

► Fig.6

7. **Alcuni materiali contengono sostanze chimiche che possono essere tossiche. Fare attenzione per evitare l'inalazione della polvere e il contatto con la pelle. Attenersi ai dati sulla sicurezza del fornitore del materiale.**
8. **Non arrestare la lama esercitando una pressione laterale sulla lama stessa.**
9. **Non utilizzare alcun tipo di dischi abrasivi.**
10. **Utilizzare esclusivamente una lama che abbia il diametro indicato sull'utensile o specificato nel manuale.** L'uso di una lama di dimensioni errate potrebbe influire sulla corretta protezione della lama o sul funzionamento della protezione, il che potrebbe risultare in gravi lesioni personali.
11. **Mantenere la lama affilata e pulita.** Collanti e pece di legno induriti sulle lame rallentano la sega e aumentano la possibilità dei contraccolpi. Mantenere pulita la lama, innanzitutto rimuovendola dall'utensile e quindi pulendola con un solvente per collanti e pece di legno, quali acqua calda o cherosene. Non utilizzare mai benzina.
12. **Quando si utilizza l'utensile, indossare una mascherina antipolvere e protezioni acustiche.**
13. **Utilizzare sempre una lama destinata al taglio del materiale che si intende tagliare.**
14. **Utilizzare solo lame che siano contrassegnate con una velocità pari o superiore a quella contrassegnata sull'utensile.**
15. **(Solo per le nazioni europee)**
Utilizzare sempre una lama conforme allo standard EN847-1.

CONSERVARE LE PRESENTI ISTRUZIONI.

⚠AVVERTIMENTO: NON lasciare che comodi o la familiarità d'utilizzo con il prodotto (acquisita con l'uso ripetuto) sostituisca la stretta osservanza delle norme di sicurezza per il prodotto in questione. L'USO IMPROPRIO o la mancata osservanza delle norme di sicurezza indicate nel presente manuale di istruzioni potrebbero causare gravi lesioni personali.

Istruzioni di sicurezza importanti per la cartuccia della batteria

1. Prima di utilizzare la cartuccia della batteria, leggere tutte le istruzioni e le avvertenze riportate (1) sul caricabatteria, (2) sulla batteria e (3) sul prodotto che utilizza la batteria.
2. Non smontare la cartuccia della batteria.
3. Qualora il tempo di utilizzo si riduca eccessivamente, interrompere immediatamente l'utilizzo dell'utensile. In caso contrario, si può incorrere nel rischio di surriscaldamento, possibili ustioni e persino un'esplosione.
4. Qualora l'elettrolita entri in contatto con gli occhi, sciacquarli con acqua pulita e richiedere immediatamente assistenza medica. Questa eventualità può risultare nella perdita della vista.
5. Non cortocircuitare la cartuccia della batteria:
 - (1) Non toccare i terminali con alcun materiale conduttivo.
 - (2) Evitare di conservare la cartuccia della batteria in un contenitore insieme ad altri oggetti metallici quali chiodi, monete, e così via.
 - (3) Non esporre la cartuccia della batteria all'acqua o alla pioggia.

Un cortocircuito della batteria può causare un grande flusso di corrente, un surriscaldamento, possibili ustioni e persino un guasto.

6. Non conservare l'utensile e la cartuccia della batteria in ubicazioni in cui la temperatura possa raggiungere o superare i 50°C.
7. Non incenerire la cartuccia della batteria anche qualora sia gravemente danneggiata o completamente esaurita. La cartuccia della batteria può esplodere se a contatto con il fuoco.
8. Fare attenzione a non far cadere e a non colpire la batteria.
9. Non utilizzare una batteria danneggiata.
10. Le batterie a ioni di litio contenute sono soggette ai requisiti del regolamento sul trasporto di merci pericolose (Dangerous Goods Legislation).

Per trasporti commerciali, ad esempio da parte di terzi o spedizionieri, è necessario osservare dei requisiti speciali sull'imballaggio e sull'etichetta. Per la preparazione dell'articolo da spedire, è richiesta la consulenza di un esperto in materiali pericolosi. Attenersi anche alle normative nazionali, che potrebbero essere più dettagliate. Nastrire o coprire i contatti aperti e imballare la batteria in modo tale che non si possa muovere liberamente all'interno dell'imballaggio.

11. Attenersi alle normative locali relative allo smaltimento della batteria.

CONSERVARE LE PRESENTI ISTRUZIONI.

⚠ATTENZIONE: Utilizzare solo batterie originali Makita. L'utilizzo di batterie Makita non originali, o di batterie che siano state alterate, potrebbe risultare nello scoppio della batteria, causando incendi, lesioni personali e danni. Inoltre, ciò potrebbe invalidare la garanzia Makita per l'utensile e il caricabatteria Makita.

Suggerimenti per preservare la durata massima della batteria

1. Caricare la cartuccia della batteria prima che si scarichi completamente. Smettere sempre di utilizzare l'utensile e caricare la cartuccia della batteria quando si nota che la potenza dell'utensile è diminuita.
2. Non ricaricare mai una cartuccia della batteria completamente carica. La sovraccarica riduce la vita utile della batteria.
3. Caricare la cartuccia della batteria a una temperatura ambiente compresa tra 10°C e 40°C. Lasciar raffreddare una cartuccia della batteria prima di caricarla.
4. Caricare la cartuccia della batteria se non la si è utilizzata per un periodo di tempo prolungato (più di sei mesi).

Istruzioni importanti per la sicurezza dell'unità senza fili

1. Non smontare né manomettere l'unità senza fili.
2. Tenere l'unità senza fili lontana dai bambini piccoli. Qualora venga inghiottita accidentalmente, richiedere immediatamente assistenza medica.
3. Utilizzare l'unità senza fili esclusivamente con utensili Makita.
4. Non esporre l'unità senza fili alla pioggia o a condizioni di bagnato.
5. Non utilizzare l'unità senza fili in luoghi in cui la temperatura superi i 50°C.
6. Non utilizzare l'unità senza fili in luoghi in cui siano presenti strumenti medici, ad esempio pacemaker, nelle vicinanze.
7. Non utilizzare l'unità senza fili in luoghi in cui siano presenti dispositivi automatizzati nelle vicinanze. In caso contrario, i dispositivi automatizzati potrebbero sviluppare un malfunzionamento o un errore.
8. L'unità senza fili può produrre campi elettromagnetici (EMF) ma questi ultimi non sono dannosi per l'utente.
9. L'unità senza fili è uno strumento preciso. Fare attenzione a non far cadere e a non colpire l'unità senza fili.
10. Evitare di toccare il terminale dell'unità senza fili a mani nude o con materiali metallici.

11. Rimuovere sempre la batteria sull'utensile quando si intende installare l'unità senza fili.
12. Quando si intende aprire il coperchio dell'alloggiamento, evitare ubicazioni in cui polvere e acqua potrebbero penetrare nell'alloggiamento. Mantenere sempre l'apertura di entrata dell'alloggiamento pulita.
13. Inserire sempre l'unità senza fili nella direzione corretta.
14. Non premere con forza eccessiva il pulsante di attivazione della comunicazione senza fili sull'unità senza fili, né premere il pulsante con un oggetto dal bordo affilato.
15. Chiudere sempre il coperchio dell'alloggiamento durante il funzionamento.
16. Non rimuovere l'unità senza fili dall'alloggiamento mentre viene fornita l'alimentazione all'utensile. In caso contrario, si potrebbe causare un malfunzionamento dell'unità senza fili.
17. Non rimuovere l'adesivo sull'unità senza fili.
18. Non applicare alcun adesivo sull'unità senza fili.
19. Non lasciare l'unità senza fili in un'ubicazione in cui potrebbero venire generati elettricità statica o disturbi elettrici.
20. Non lasciare l'unità senza fili in ubicazioni soggette a calore elevato, ad esempio in un'auto parcheggiata al sole.
21. Non lasciare l'unità senza fili in ubicazioni polverose o in ubicazioni in cui potrebbero venire generati gas corrosivi.
22. Una variazione improvvisa di temperatura potrebbe far bagnare di condensa l'unità senza fili. Non utilizzare l'unità senza fili fino alla completa asciugatura della condensa.
23. Quando si intende pulire l'unità senza fili, passarvi sopra delicatamente un panno morbido asciutto. Non utilizzare benzina per pulizia, diluenti, grasso conduttivo o simili.
24. Quando si intende riporre l'unità senza fili, conservarla nella custodia in dotazione o in un contenitore antistatico.
25. Non inserire alcun dispositivo diverso dall'unità senza fili Makita nell'alloggiamento presente sull'utensile.
26. Non utilizzare l'utensile con il coperchio dell'alloggiamento danneggiato. Qualora nell'alloggiamento penetrino acqua, polvere e sporco, potrebbero causare un malfunzionamento.
27. Non tirare né attorcigliare il coperchio dell'alloggiamento oltre il necessario. Qualora il coperchio si stacchi dall'utensile, riapplicarlo.
28. Qualora il coperchio dell'alloggiamento vada perso o venga danneggiato, sostituirlo.

CONSERVARE LE PRESENTI ISTRUZIONI.

DESCRIZIONE DELLE FUNZIONI

ATTENZIONE: Accertarsi sempre che l'utensile sia spento e che la cartuccia della batteria sia stata rimossa prima di regolare o di controllare il funzionamento dell'utensile.

Installazione o rimozione della cartuccia della batteria

ATTENZIONE: Spegnerne sempre l'utensile prima di installare o rimuovere la cartuccia della batteria.

ATTENZIONE: Mantenere saldamente lo strumento e la batteria quando si intende installare o rimuovere la cartuccia della batteria. Qualora non si mantengano saldamente lo strumento e la cartuccia della batteria, questi ultimi potrebbero scivolare dalle mani, con la possibilità di causare un danneggiamento dello strumento e della cartuccia della batteria, nonché una lesione personale.

► Fig.7: 1. Indicatore rosso 2. Pulsante 3. Cartuccia della batteria

Per rimuovere la cartuccia della batteria, farla scorrere via dall'utensile mentre si fa scorrere allo stesso tempo il pulsante sulla parte anteriore della cartuccia.

Per installare la cartuccia della batteria, allineare l'appendice della batteria con la scanalatura nell'alloggiamento e farla scivolare in sede. Inserirla completamente fino al suo blocco in sede con un leggero scatto. Se è possibile vedere l'indicatore rosso sul lato superiore del pulsante, la batteria non è bloccata completamente.

ATTENZIONE: Installare sempre fino in fondo la cartuccia della batteria, fino a quando l'indicatore rosso non è più visibile. In caso contrario, la batteria potrebbe cadere accidentalmente dall'utensile, causando lesioni personali all'operatore o a chi gli è vicino.

ATTENZIONE: Non installare forzatamente la cartuccia della batteria. Qualora la batteria non si inserisca scorrendo agevolmente, vuol dire che non viene inserita correttamente.

NOTA: L'utensile non funziona con una sola cartuccia della batteria.

Sistema di protezione strumento/batteria

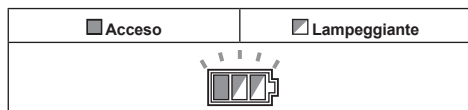
Lo strumento è dotato di un sistema di protezione strumento/batteria. Questo sistema interrompe automaticamente l'alimentazione al motore, per prolungare la vita utile dello strumento e della batteria. L'utensile si arresta automaticamente durante il funzionamento, qualora l'utensile stesso o la batteria vengano a trovarsi in una delle condizioni seguenti: In alcune condizioni, gli indicatori si illuminano.

Protezione dal sovraccarico

Quando si utilizza l'utensile in modo da causarne un assorbimento di corrente elevato in modo anomalo, l'utensile si arresta automaticamente. In questa circostanza, spegnere l'utensile e interrompere l'applicazione che ha causato il sovraccarico dell'utensile. Quindi, accendere l'utensile per riavviarlo.

Protezione dal surriscaldamento

Quando l'utensile è surriscaldato si arresta automaticamente, e l'indicatore della batteria lampeggia per circa 60 secondi. In questa circostanza, lasciar raffreddare l'utensile prima di riaccenderlo.







Protezione dalla sovrascarica

Quando la carica della batteria diventa bassa, l'utensile si arresta automaticamente. Qualora il prodotto non funzioni anche quando si attivano gli interruttori, rimuovere le batterie dall'utensile e caricarle.

Indicazione della carica residua della batteria

► **Fig.8:** 1. Indicatore della batteria (per la batteria superiore) 2. Pulsante di controllo 3. Indicatore della batteria (per la batteria inferiore)

Premere il pulsante di controllo per indicare le cariche residue delle batterie. Gli indicatori delle batterie corrispondono alle rispettive batterie.

| Stato dell'indicatore della batteria | | | Carica residua della batteria |
|---|---------------------------------|---------------------------------------|-------------------------------|
| <input checked="" type="checkbox"/> Acceso | <input type="checkbox"/> Spento | <input type="checkbox"/> Lampeggiante | |
|  | | | Dal 50% al 100% |
|  | | | Dal 20% al 50% |
|  | | | Dallo 0% al 20% |
|  | | | Caricare la batteria |

Indicazione della carica residua della batteria

Solo per cartucce delle batterie dotate di indicatore

► **Fig.9:** 1. Indicatori luminosi 2. Pulsante di controllo

Premere il pulsante di controllo sulla cartuccia della batteria per indicare la carica residua della batteria. Gli indicatori luminosi si illuminano per alcuni secondi.

| Indicatori luminosi | | | Carica residua |
|--|-------------------------------------|---------------------------------------|--|
| <input checked="" type="checkbox"/> Illuminato | <input type="checkbox"/> Spento | <input type="checkbox"/> Lampeggiante | |
| <input checked="" type="checkbox"/> | <input checked="" type="checkbox"/> | <input checked="" type="checkbox"/> | Dal 75% al 100% |
| <input checked="" type="checkbox"/> | <input checked="" type="checkbox"/> | <input type="checkbox"/> | Dal 50% al 75% |
| <input checked="" type="checkbox"/> | <input type="checkbox"/> | <input type="checkbox"/> | Dal 25% al 50% |
| <input checked="" type="checkbox"/> | <input type="checkbox"/> | <input type="checkbox"/> | Dallo 0% al 25% |
| <input type="checkbox"/> | <input type="checkbox"/> | <input type="checkbox"/> | Caricare la batteria. |
| <input type="checkbox"/> | <input type="checkbox"/> | <input type="checkbox"/> | La batteria potrebbe essersi guastata. |

NOTA: A seconda delle condizioni d'uso e della temperatura ambiente, l'indicazione potrebbe variare leggermente rispetto alla carica effettiva.

Funzione di variazione automatica della velocità




NOTA: La funzione di variazione automatica della velocità è disponibile solo quando il selettore di regolazione della velocità si trova sulla posizione 5.

Questo utensile dispone di una "modalità ad alta velocità" e di una "modalità a coppia elevata".

L'utensile cambia automaticamente la modalità operativa a seconda del carico di lavoro. Quando il carico di lavoro è basso, l'utensile funziona in "modalità ad alta velocità", per operazioni di taglio più veloci. Quando il carico di lavoro è alto, l'utensile funziona in "modalità a coppia elevata", per operazioni di taglio potenti.

► **Fig.10:** 1. Indicatore di modalità

L'indicatore di modalità si illumina in verde quando l'utensile funziona in "modalità a coppia elevata". Qualora l'utensile venga fatto funzionare con un carico eccessivo, l'indicatore di modalità lampeggia in verde. L'indicatore di modalità smette di lampeggiare, quindi si illumina o si spegne se si riduce il carico sull'utensile.

| Stato dell'indicatore di modalità | | | Modalità di funzionamento |
|---|----------|----------------|---------------------------|
| ● Acceso | ○ Spento | ● Lampeggiante | |
|  | | | Modalità ad alta velocità |
|  | | | |
|  | | | Allarme di sovraccarico |

Regolazione della profondità di taglio

ATTENZIONE: Dopo aver regolato la profondità di taglio, serrare sempre saldamente la vite di fissaggio.

Allentare la vite di fissaggio sulla guida di profondità e spostare il fermo del limite inferiore della lama sulla profondità desiderata sulla piastra della scala. Alla profondità di taglio desiderata, serrare saldamente la vite di fissaggio.

Per dei tagli più puliti e più sicuri, regolare la profondità di taglio in modo che al di sotto del pezzo in lavorazione non sporga più di un dente della lama. L'utilizzo della profondità di taglio corretta contribuisce a ridurre il rischio potenziale di pericolosi CONTRACCOLPI che possono causare lesioni personali.

- **Fig.11:** 1. Fermo del limite inferiore della lama
2. Vite di fissaggio

Pulsante di arresto rapido per la profondità di taglio da 2 a 3 mm quando si utilizza il binario guida (accessorio opzionale)

Questo utensile dispone di un pulsante di arresto rapido per la profondità di taglio da 2 a 3 mm sull'alloggiamento degli ingranaggi di fianco alla maniglia posteriore, quando si utilizza il binario guida. Questo pulsante va utilizzato quando si intende evitare la scheggiatura sul pezzo in lavorazione nel taglio. Effettuare un passaggio del primo taglio da 2 a 3 mm, quindi effettuare un altro passaggio del taglio normale.

- **Fig.12:** 1. Pulsante di arresto rapido

Per ottenere la profondità di taglio da 2 a 3 mm, far rientrare il pulsante di arresto rapido premendolo verso la lama. Questo pulsante è comodo per evitare la scheggiatura sul pezzo in lavorazione.

Per sbloccare la profondità di taglio da questa posizione, per una profondità di taglio libera, è sufficiente tirare indietro il pulsante.

Tagli a unghia

Allentare le viti di fissaggio. Impostare l'angolo desiderato inclinando l'utensile di conseguenza, quindi serrare saldamente le viti di fissaggio.

- **Fig.13:** 1. Vite di fissaggio 2. Piastra della scala di taglio a unghia
► **Fig.14:** 1. Base secondaria (Accessorio opzionale)
2. Vite di fissaggio

Fermo positivo

Il fermo positivo è utile per impostare rapidamente l'angolo stabilito. Ruotare il fermo positivo in modo che la freccia presente su quest'ultimo punti verso 22,5°. Allentare le viti di fissaggio sul lato anteriore e su quello posteriore. Quindi, inclinare la lama fino al suo arresto e fissare la base con le viti di fissaggio.

- **Fig.15:** 1. Fermo positivo 2. Vite di fissaggio

Taglio a unghia a 48°

Per effettuare tagli a unghia a 48°, allentare le viti di fissaggio e inclinare completamente la leva verso la direzione della freccia nella figura. Quindi, impostare l'angolo di taglio a unghia su 48° e serrare le viti di fissaggio.

- **Fig.16:** 1. Leva

Taglio a unghia a -1°

Per effettuare tagli a unghia a -1°, allentare le viti di fissaggio e premere le leve verso la direzione della freccia nella figura. Quindi, impostare l'angolo di taglio a unghia su -1° e serrare le viti di fissaggio.

- **Fig.17:** 1. Leva

Allineamento

- **Fig.18:** 1. Base

La linea di taglio varia a seconda dell'angolo di taglio e del fatto che si utilizzi o meno il binario guida (accessorio opzionale).

Quando si utilizza l'utensile senza il binario guida

Per i tagli dritti, allineare la posizione A sul lato anteriore della base con la linea di taglio desiderata. Per i tagli a unghia a 45°, allineare la posizione B con la linea di taglio.

Quando si utilizza l'utensile con il binario guida

Sia per i tagli dritti che per quelli a unghia a 45°, allineare sempre la posizione A sul lato anteriore della base con la linea di taglio desiderata.

Funzionamento dell'interruttore

AVVERTIMENTO: Prima di inserire la cartuccia della batteria nell'utensile, controllare sempre che l'interruttore a grilletto funzioni correttamente e torni sulla posizione "OFF" quando viene rilasciato.

AVVERTIMENTO: Non rendere MAI inefficace il pulsante di sblocco tenendolo premuto con nastro adesivo o in altri modi. Un interruttore con un pulsante di sblocco che sia stato reso inefficace potrebbe risultare in un funzionamento accidentale e in gravi lesioni personali.

AVVERTIMENTO: Non utilizzare MAI l'utensile qualora si avvii semplicemente premendo l'interruttore a grilletto senza tenere premuto il pulsante di sblocco. Un interruttore che necessiti di riparazione potrebbe risultare in un funzionamento accidentale e in gravi lesioni personali. Riportare l'utensile a un centro di assistenza Makita per le riparazioni necessarie PRIMA di un ulteriore utilizzo.

L'utensile è dotato di un pulsante di sblocco, per evitare di premere accidentalmente l'interruttore a grilletto. Per avviare l'utensile, premere il pulsante di sblocco e premere l'interruttore a grilletto. Rilasciare l'interruttore a grilletto per arrestarlo.

► **Fig.19:** 1. Interruttore a grilletto 2. Pulsante di sblocco

AVVISO: Non premere con forza l'interruttore a grilletto senza aver fatto rientrare il pulsante di sblocco premendolo. In caso contrario, si potrebbe causare la rottura dell'interruttore.

Selettore di regolazione della velocità

È possibile regolare la velocità dell'utensile ruotando il selettore di regolazione. La velocità di rotazione della lama aumenta di pari passo con l'incremento del numero sul selettore di regolazione della velocità.

► **Fig.20:** 1. Selettore di regolazione della velocità

Fare riferimento alla tabella per selezionare la velocità appropriata per il pezzo in lavorazione da tagliare. Tuttavia, la velocità appropriata potrebbe variare in base al tipo o allo spessore del pezzo in lavorazione. In generale, velocità più alte consentono di tagliare i pezzi in lavorazione più velocemente, ma la vita utile della lama si riduce.

| Numero | Velocità di rotazione della lama al minuto (min ⁻¹) |
|--------|---|
| 1 | 2.500 min ⁻¹ |
| 2 | 2.900 min ⁻¹ |
| 3 | 3.900 min ⁻¹ |
| 4 | 4.900 min ⁻¹ |
| 5 | 6.300 min ⁻¹ |

ATTENZIONE: Il selettore di regolazione della velocità non serve a consentire l'utilizzo di lame idonee alle basse velocità, ma per ottenere una velocità appropriata al materiale del pezzo in lavorazione. Utilizzare esclusivamente lame idonee come minimo alla velocità massima a vuoto riportata nei DATI TECNICI.

AVVISO: È possibile ruotare il selettore di regolazione della velocità solo fino a 5 e indietro fino a 1. Non forzarlo oltre 5 o 1; in caso contrario, la funzione di regolazione della velocità potrebbe non operare più.

Funzione elettronica

Gli utensili dotati di funzione elettronica sono di facile utilizzo, grazie alle funzioni seguenti.

Protezione dal sovraccarico

Quando l'utensile viene sovraccaricato e il flusso di corrente supera un determinato livello, l'utensile si arresta automaticamente per proteggere il motore.

Controllo della velocità costante

Controllo elettronico della velocità per ottenere una velocità costante. È possibile ottenere una finitura precisa, poiché la velocità di rotazione viene mantenuta costante anche in condizioni di carico.

Funzione di avvio morbido

Avvio morbido, grazie alla soppressione dell'impatto di avvio.

MONTAGGIO

ATTENZIONE: Accertarsi sempre che l'utensile sia spento e che la cartuccia della batteria sia stata rimossa, prima di effettuare qualsiasi intervento sull'utensile.

Conservazione della chiave esagonale

Quando non si utilizza la chiave esagonale, riporla come mostrato nella figura per evitare di perderla.

► **Fig.21:** 1. Chiave esagonale

Rimozione o installazione della lama per sega circolare

ATTENZIONE: Accertarsi di installare la lama per sega circolare con i denti rivolti verso l'alto nella parte anteriore dell'utensile.

ATTENZIONE: Utilizzare solo la chiave Makita per installare o rimuovere la lama per sega circolare.

Per rimuovere la lama per sega circolare:

1. Premere il pulsante di sblocco e abbassare leggermente la maniglia. Girare la leva di blocco e abbassare la maniglia fino a quando il perno di blocco entra nel foro.

► **Fig.22:** 1. Pulsante di sblocco 2. Leva di blocco 3. Perno di blocco 4. Foro per il perno di blocco

2. Premere a fondo il blocco dell'albero in modo che la lama non possa girare, quindi utilizzare la chiave a brugola per allentare il bullone esagonale.

► **Fig.23:** 1. Blocco dell'albero 2. Chiave a brugola 3. Per serrare 4. Per allentare

3. Rimuovere il bullone esagonale, la flangia esterna e la lama per sega circolare.

► **Fig.24:** 1. Bullone esagonale 2. Flangia esterna 3. Flangia interna 4. Lama per sega circolare

AVVERTIMENTO: Qualora la flangia interna sia stata rimossa, accertarsi di installarla sul mandrino. Durante l'installazione, scegliere il lato corretto sul quale la sporgenza entri perfettamente nel foro della lama. Il montaggio della lama sul lato sbagliato potrebbe risultare in vibrazioni pericolose.

Per installare la lama per sega circolare, seguire la procedura di rimozione in ordine inverso. Premere il pulsante di sblocco per rilasciare il perno di blocco dal foro.

AVVERTIMENTO: ACCERTARSI DI SERRARE SALDAMENTE IL BULLONE ESAGONALE. Inoltre, fare attenzione a non serrare il bullone applicando forza eccessiva. Qualora la mano scivoli dalla chiave a brugola, si potrebbero causare lesioni personali.

Pulizia della protezione lama

Quando si intende sostituire la lama per sega circolare, accerarsi di pulire anche la protezione della lama dalla segatura accumulata, come descritto nella sezione Manutenzione. Tali operazioni non sostituiscono l'esigenza di controllare il funzionamento della protezione prima di ciascun utilizzo.

Collegamento di un aspiratore

Accessorio opzionale

Se si desidera eseguire operazioni di taglio senza produrre polveri, collegare un aspirapolvere Makita all'utensile. Collegare un tubo flessibile dell'aspirapolvere alla bocchetta per le polveri utilizzando il manicotto anteriore 24.

- **Fig.25:** 1. Tubo flessibile dell'aspirapolvere
2. Manicotto anteriore 24 3. Bocchetta per le polveri

FUNZIONAMENTO

⚠ATTENZIONE: Accertarsi di spostare l'utensile in avanti procedendo delicatamente in linea retta. La forzatura o la torsione dell'utensile possono causare il surriscaldamento del motore e pericolosi contraccolpi, con la possibilità di causare gravi lesioni personali.

⚠ATTENZIONE: Non avvicinare mai alcuna parte del proprio corpo al lato inferiore della base dell'utensile durante il taglio di sezioni, specialmente all'avvio. In caso contrario, si potrebbero causare gravi lesioni personali. La lama è esposta sotto la base dell'utensile.

NOTA: Quando la temperatura della cartuccia della batteria è bassa, l'utensile potrebbe non operare alla massima capacità. In questa eventualità utilizzare l'utensile, ad esempio, per un taglio a carico leggero per un breve periodo di tempo, fino a quando la cartuccia della batteria si riscalda e raggiunge la temperatura ambiente. A questo punto l'utensile può lavorare alla massima capacità.

Taglio di sezioni (taglio normale con la sega)

► Fig.26

Mantenere l'utensile saldamente. L'utensile è dotato sia di un'impugnatura anteriore che di una maniglia posteriore. Utilizzarle entrambe per afferrare l'utensile. Se entrambe le mani mantengono la sega, non possono venire tagliate dalla lama per sega circolare. Collocare la base sul pezzo in lavorazione da tagliare senza fare entrare in contatto con quest'ultimo la lama per sega circolare. Quindi, far rientrare il pulsante di sblocco premendolo e premere l'interruttore a grilletto. Attendere che la lama per sega circolare abbia raggiunto la piena velocità. Ora, premere lentamente verso il basso la testa della sega fino alla profondità di taglio preimpostata, e far avanzare semplicemente l'utensile sulla superficie del pezzo in lavorazione, procedendo in piano e in modo uniforme fino al completamento del taglio.

Per ottenere dei tagli puliti, mantenere dritta la linea di taglio e avanzare a velocità costante. Qualora il taglio non segua correttamente la linea di taglio desiderata, non tentare di ruotare o forzare l'utensile per riportarlo sulla linea di taglio. In caso contrario, si potrebbe far inceppare la lama per sega circolare e causare pericolosi contraccolpi, con la possibilità di gravi lesioni personali. Rilasciare l'interruttore, attendere che la lama per sega circolare si arresti, quindi rimuovere l'utensile. Riallineare l'utensile sulla nuova linea di taglio e iniziare di nuovo a tagliare. Cercare di evitare posizioni che esponano l'operatore ai trucioli e alla segatura espulsi dalla sega. Come aiuto per evitare lesioni personali, indossare protezioni per gli occhi.

Binario guida

Accessorio opzionale

Posizionare l'utensile sull'estremità posteriore del binario guida. Ruotare due viti di regolazione sulla base dell'utensile in modo che quest'ultimo scorra agevolmente senza produrre rumori metallici. Mantenere saldamente sia l'impugnatura anteriore che la maniglia posteriore dell'utensile. Accendere l'utensile, premere verso il basso l'utensile sulla profondità di taglio preimpostata, quindi tagliare il paraschegge per l'intera lunghezza con un singolo colpo. Ora il bordo del paraschegge corrisponde al bordo di taglio.

- **Fig.27:** 1. Viti di regolazione

Quando si intende effettuare tagli a unghia con il binario guida, utilizzare la leva scorrevole per evitare che l'utensile si rovesci.

Spostare la leva scorrevole sulla base dell'utensile nella direzione della freccia, in modo che si innesti nella scanalatura intagliata lateralmente nel binario guida.

- **Fig.28:** 1. Leva scorrevole

Base secondaria (righello guida)

Accessorio opzionale

Utilizzando la base secondaria come righello guida, è possibile effettuare tagli diritti estremamente accurati. Allentare le viti di fissaggio e far scorrere la base secondaria fuori dall'utensile, quindi inserirla capovolta.

- **Fig.29:** 1. Vite di fissaggio 2. Base secondaria

È sufficiente far scorrere la barriera della base secondaria mantenendola aderente al fianco del pezzo in lavorazione e fissarla in posizione con le viti di fissaggio. La guida consente anche di realizzare tagli ripetuti di larghezza uniforme.

- **Fig.30:** 1. Vite di fissaggio 2. Base secondaria

Taglio a immersione (taglio di aperture)

⚠AVVERTIMENTO: Per evitare contraccolpi, accertarsi di osservare le seguenti istruzioni.

- **Fig.31:** 1. Bordo posteriore della base dell'utensile
2. Arresto fisso

Quando si intende utilizzare l'utensile senza il binario guida, posizionare l'utensile sul pezzo in lavorazione con il bordo posteriore della base dell'utensile appoggiato contro un arresto fisso o un equivalente concepito dall'operatore.

Quando si intende utilizzare l'utensile con il binario guida, posizionare l'utensile sul binario guida con il bordo posteriore della base dell'utensile appoggiato contro un arresto fisso o un equivalente fissato sul binario guida.

Mantenere saldamente l'utensile con una mano sull'impugnatura anteriore e con l'altra sulla maniglia dell'utensile. Quindi, far rientrare il pulsante di sblocco premendolo, accendere l'utensile e attendere che la lama abbia raggiunto la piena velocità. Ora, premere lentamente verso il basso la testa della sega fino alla profondità di taglio preimpostata, e far avanzare semplicemente l'utensile fino alla posizione desiderata del taglio a immersione.

NOTA: I contrassegni sul lato della protezione della lama indicano il punto di taglio assoluto anteriore e quello posteriore della lama alla massima profondità di taglio quando si utilizza il binario guida.

► **Fig.32:** 1. Punto di taglio anteriore 2. Punto di taglio posteriore

Dispositivo guida

Accessorio opzionale

L'utilizzo della guida di taglio a unghia consente tagli obliqui precisi con angoli e lavori di rifinitura.

L'utilizzo della morsa assicura una presa salda del pezzo in lavorazione sul tavolo.

FUNZIONE DI ATTIVAZIONE DELLA COMUNICAZIONE SENZA FILI

Solo per il modello DSP601

Cosa si può fare con la funzione di attivazione della comunicazione senza fili

La funzione di attivazione della comunicazione senza fili consente un funzionamento pulito e comodo. Collegando un aspirapolvere supportato all'utensile, è possibile far funzionare automaticamente l'aspirapolvere insieme all'attivazione dell'interruttore dell'utensile.

► **Fig.33**

Per utilizzare la funzione di attivazione della comunicazione senza fili, preparare gli elementi seguenti:

- Un'unità senza fili
- Un aspirapolvere che supporti la funzione di attivazione della comunicazione senza fili

L'impostazione della funzione di attivazione della comunicazione senza fili è ripiegata di seguito. Per le procedure dettagliate, consultare ciascuna sezione.

1. Installazione dell'unità senza fili
2. Registrazione dell'utensile per l'aspirapolvere
3. Avvio della funzione di attivazione della comunicazione senza fili

Installazione dell'unità senza fili

ATTENZIONE: Posizionare l'utensile su una superficie piana e stabile, quando si intende installare l'unità senza fili.

AVVISO: Pulire la polvere e lo sporco sull'utensile prima di installare l'unità senza fili. La polvere o lo sporco potrebbero causare un malfunzionamento, qualora penetrino nell'alloggiamento dell'unità senza fili.

AVVISO: Per evitare il malfunzionamento causato dall'elettricità statica, toccare un materiale per scaricarla, ad esempio una parte metallica dell'utensile, prima di prendere in mano l'unità senza fili.

AVVISO: Quando si installa l'unità senza fili, accertarsi sempre che quest'ultima sia inserita nella direzione corretta e che il coperchio sia completamente chiuso.

1. Aprire il coperchio sull'utensile come indicato nella figura.

► **Fig.34:** 1. Coperchio

2. Inserire l'unità senza fili nell'alloggiamento, quindi chiudere il coperchio.

Quando si inserisce l'unità senza fili, allineare le sporgenze con le rientranze presenti nell'alloggiamento.

► **Fig.35:** 1. Unità senza fili 2. Sporgenza 3. Coperchio 4. Rientranza

Quando si intende rimuovere l'unità senza fili, aprire lentamente il coperchio. I ganci sul retro del coperchio sollevano l'unità senza fili mentre si tira su il coperchio.

► **Fig.36:** 1. Unità senza fili 2. Gancio 3. Coperchio

Dopo aver rimosso l'unità senza fili, conservarla nella custodia in dotazione o in un contenitore antistatico.

AVVISO: Utilizzare sempre i ganci sul retro del coperchio quando si intende rimuovere l'unità senza fili. Qualora i ganci non si inseriscano nell'unità senza fili, chiudere completamente il coperchio e riaprirlo lentamente.

Registrazione dell'utensile per l'aspirapolvere

NOTA: È richiesto un aspirapolvere Makita che supporti la funzione di attivazione della comunicazione senza fili per la registrazione dell'utensile.

NOTA: Completare l'installazione dell'unità senza fili nello strumento prima di avviare la registrazione dell'utensile.

NOTA: Durante la registrazione dell'utensile, non premere l'interruttore a grilletto né attivare l'interruttore di accensione sull'aspirapolvere.

NOTA: Fare riferimento anche al manuale d'uso dell'aspirapolvere.

Se si desidera attivare l'aspirapolvere insieme all'attivazione dell'interruttore dell'utensile, completare anticipatamente la registrazione dell'utensile.

1. Installare le batterie nell'aspirapolvere e nell'utensile.
2. Impostare il commutatore di standby sull'aspirapolvere su "AUTO".

► **Fig.37:** 1. Commutatore di standby

3. Premere il pulsante di attivazione della comunicazione senza fili sull'aspirapolvere per 3 secondi, fino a quando l'indicatore luminoso di attivazione della comunicazione senza fili lampeggia in verde. Quindi, premere il pulsante di attivazione della comunicazione senza fili sull'utensile in modo analogo.

► **Fig.38:** 1. Pulsante di attivazione della comunicazione senza fili 2. Indicatore luminoso di attivazione della comunicazione senza fili

Se l'aspirapolvere e l'utensile sono collegati con esito positivo, gli indicatori luminosi di attivazione della comunicazione senza fili si illuminano in verde per 2 secondi, quindi iniziano a lampeggiare in blu.

NOTA: Gli indicatori luminosi di attivazione della comunicazione senza fili smettono di lampeggiare in verde dopo 20 secondi. Premere il pulsante di attivazione della comunicazione senza fili sull'utensile mentre l'indicatore luminoso di attivazione della comunicazione senza fili sull'aspirapolvere sta lampeggiando. Qualora l'indicatore luminoso di attivazione della comunicazione senza fili non lampeggia in verde, premere brevemente e tenere premuto di nuovo il pulsante di attivazione della comunicazione senza fili.

NOTA: Quando si intende effettuare due o più registrazioni di utensili per un unico aspirapolvere, completare la registrazione degli utensili uno alla volta.

Avvio della funzione di attivazione della comunicazione senza fili

NOTA: Completare la registrazione dell'utensile per l'aspirapolvere prima dell'attivazione della comunicazione senza fili.

NOTA: Fare riferimento anche al manuale d'uso dell'aspirapolvere.

Dopo aver registrato un utensile sull'aspirapolvere, quest'ultimo entra in funzione automaticamente insieme all'attivazione dell'interruttore dell'utensile.

1. Installare l'unità senza fili sull'utensile.
2. Collegare il tubo flessibile dell'aspirapolvere all'utensile.

► **Fig.39**

3. Impostare il commutatore di standby sull'aspirapolvere su "AUTO".

► **Fig.40:** 1. Commutatore di standby

4. Premere brevemente il pulsante di attivazione della comunicazione senza fili sull'utensile. L'indicatore luminoso di attivazione della comunicazione senza fili lampeggia in blu.

► **Fig.41:** 1. Pulsante di attivazione della comunicazione senza fili 2. Indicatore luminoso di attivazione della comunicazione senza fili

5. Premere l'interruttore a grilletto dell'utensile. Controllare se l'aspirapolvere entri in funzione mentre si preme l'interruttore a grilletto.

Per interrompere l'attivazione della comunicazione senza fili dell'aspirapolvere, premere il pulsante di attivazione della comunicazione senza fili sull'utensile.

NOTA: L'indicatore luminoso di attivazione della comunicazione senza fili sull'utensile smette di lampeggiare in blu quando non viene effettuata alcuna operazione per 2 ore. In questo caso, impostare il commutatore di standby sull'aspirapolvere su "AUTO" e premere di nuovo il pulsante di attivazione della comunicazione senza fili sull'utensile.

NOTA: L'aspirapolvere si avvia o si arresta con un ritardo. Si verifica un ritardo temporale quando l'aspirapolvere rileva un'attivazione dell'interruttore sull'utensile.













NOTA: La distanza di trasmissione dell'unità senza fili può variare a seconda dell'ubicazione e della situazione circostante.

NOTA: Quando due o più utensili sono registrati su un unico aspirapolvere, quest'ultimo potrebbe iniziare a funzionare anche se non si preme l'interruttore a grilletto, a causa di un altro utente che sta utilizzando la funzione di attivazione della comunicazione senza fili.

Descrizione dello stato dell'indicatore luminoso di attivazione della comunicazione senza fili

► **Fig.42:** 1. Indicatore luminoso di attivazione della comunicazione senza fili

L'indicatore luminoso di attivazione della comunicazione senza fili mostra lo stato della funzione di attivazione della comunicazione senza fili. Per informazioni sul significato dello stato dell'indicatore luminoso, fare riferimento alla tabella seguente.

| Stato | Indicatore luminoso di attivazione della comunicazione senza fili | | | Durata | Descrizione |
|--|---|---|--|----------------------------------|---|
| | Colore |  Accesso |  Lampeggiante | | |
| Standby | Blu |  |  | 2 ore | È disponibile l'attivazione della funzione di comunicazione senza fili dell'aspirapolvere. L'indicatore luminoso si spegne automaticamente quando non viene eseguita alcuna operazione per 2 ore. |
| | |  | | Quando l'utensile è in funzione. | È disponibile l'attivazione della funzione di comunicazione senza fili dell'aspirapolvere e l'utensile è in funzione. |
| Registrazione dell'utensile | Verde |  |  | 20 secondi | Pronto alla registrazione dell'utensile. In attesa della registrazione da parte dell'aspirapolvere. |
| | |  | | 2 secondi | La registrazione dell'utensile è stata completata. L'indicatore luminoso di attivazione della comunicazione senza fili inizia a lampeggiare in blu. |
| Annullamento della registrazione dell'utensile | Rosso |  |  | 20 secondi | Pronto alla cancellazione della registrazione dell'utensile. In attesa della cancellazione da parte dell'aspirapolvere. |
| | |  | | 2 secondi | La cancellazione della registrazione dell'utensile è stata completata. L'indicatore luminoso di attivazione della comunicazione senza fili inizia a lampeggiare in blu. |
| Altro | Rosso |  | | 3 secondi | L'alimentazione è fornita all'unità senza fili e la funzione di attivazione della comunicazione senza fili si sta avviando. |
| | Spento | - | | - | L'attivazione della funzione di comunicazione senza fili dell'aspirapolvere è stata arrestata. |

Annullamento della registrazione dell'utensile per l'aspirapolvere

Quando si intende annullare la registrazione dell'utensile per l'aspirapolvere, attenersi alla procedura seguente.

1. Installare le batterie nell'aspirapolvere e nell'utensile.
2. Impostare il commutatore di standby sull'aspirapolvere su "AUTO".

► **Fig.43:** 1. Commutatore di standby

3. Premere il pulsante di attivazione della comunicazione senza fili sull'aspirapolvere per 6 secondi. L'indicatore luminoso di attivazione della comunicazione senza fili lampeggia in verde, quindi diventa rosso. Dopodiché, premere il pulsante di attivazione della comunicazione senza fili sull'utensile in modo analogo.

► **Fig.44:** 1. Pulsante di attivazione della comunicazione senza fili 2. Indicatore luminoso di attivazione della comunicazione senza fili

Se l'annullamento è stato eseguito con esito positivo, gli indicatori luminosi di attivazione della comunicazione senza fili si illuminano in rosso per 2 secondi, quindi iniziano a lampeggiare in blu.

NOTA: Gli indicatori luminosi di attivazione della comunicazione senza fili smettono di lampeggiare in rosso dopo 20 secondi. Premere il pulsante di attivazione della comunicazione senza fili sull'utensile mentre l'indicatore luminoso di attivazione della comunicazione senza fili sull'aspirapolvere sta lampeggiando. Qualora l'indicatore luminoso di attivazione della comunicazione senza fili non lampeggi in rosso, premere brevemente e tenere premuto di nuovo il pulsante di attivazione della comunicazione senza fili.

Risoluzione dei problemi per la funzione di attivazione della comunicazione senza fili

Prima di richiedere riparazioni, eseguire un'ispezione personalmente. Qualora si rilevi un problema che non è illustrato nel manuale, non tentare di smontare l'utensile. Rivolgersi, invece, a un centro di assistenza autorizzato Makita, utilizzando sempre pezzi di ricambio Makita per le riparazioni.

| Stato di anomalia | Causa probabile (guasto) | Azione correttiva |
|--|---|--|
| L'indicatore luminoso di attivazione della comunicazione senza fili non si illumina o non lampeggia. | L'unità senza fili non è installata nell'utensile. L'unità senza fili è installata in modo errato nell'utensile. | Installare l'unità senza fili correttamente. |
| | Il terminale dell'unità senza fili e/o l'alloggiamento sono sporchi. | Asportare delicatamente polvere e sporco presenti sul terminale dell'unità senza fili e pulire l'alloggiamento. |
| | Il pulsante di attivazione della comunicazione senza fili sull'utensile non è stato premuto. | Premere brevemente il pulsante di attivazione della comunicazione senza fili sull'utensile. |
| | Il commutatore di standby sull'aspirapolvere non è impostato su "AUTO". | Impostare il commutatore di standby sull'aspirapolvere su "AUTO". |
| | Alimentazione assente | Fornire l'alimentazione all'utensile e all'aspirapolvere. |
| Impossibile completare con esito positivo la registrazione dell'utensile o l'annullamento della registrazione dell'utensile. | L'unità senza fili non è installata nell'utensile. L'unità senza fili è installata in modo errato nell'utensile. | Installare l'unità senza fili correttamente. |
| | Il terminale dell'unità senza fili e/o l'alloggiamento sono sporchi. | Asportare delicatamente polvere e sporco presenti sul terminale dell'unità senza fili e pulire l'alloggiamento. |
| | Il commutatore di standby sull'aspirapolvere non è impostato su "AUTO". | Impostare il commutatore di standby sull'aspirapolvere su "AUTO". |
| | Alimentazione assente | Fornire l'alimentazione all'utensile e all'aspirapolvere. |
| | Funzionamento errato | Premere brevemente il pulsante di attivazione della comunicazione senza fili ed eseguire di nuovo la procedura di registrazione o di annullamento dell'utensile. |
| | L'utensile e l'aspirapolvere sono lontani l'uno dall'altro (fuori dalla portata di trasmissione). | Avvicinare l'utensile e l'aspirapolvere tra di loro. La distanza massima di trasmissione è di circa 10 m, ma può variare in base alle circostanze. |
| | Prima di completare la registrazione o l'annullamento dell'utensile: - l'interruttore a grilletto sull'utensile è premuto, oppure; - il pulsante di accensione sull'aspirapolvere è attivato. | Premere brevemente il pulsante di attivazione della comunicazione senza fili ed eseguire di nuovo la procedura di registrazione o di annullamento dell'utensile. |
| | Le procedure di registrazione per l'utensile o per l'aspirapolvere non sono state completate. | Eseguire le procedure di registrazione dell'utensile sia per l'utensile che per l'aspirapolvere allo stesso tempo. |
| | Sono presenti disturbi radio dovuti ad altri apparecchi che generano onde radio ad alta intensità. | Tenere l'utensile e l'aspirapolvere lontani da apparecchi quali dispositivi Wi-Fi e forni a microonde. |

| Stato di anomalia | Causa probabile (guasto) | Azione correttiva |
|--|--|---|
| L'aspirapolvere non entra in funzione insieme all'attivazione dell'interruttore dell'utensile. | L'unità senza fili non è installata nell'utensile. L'unità senza fili è installata in modo errato nell'utensile. | Installare l'unità senza fili correttamente. |
| | Il terminale dell'unità senza fili e/o l'alloggiamento sono sporchi. | Asportare delicatamente polvere e sporco presenti sul terminale dell'unità senza fili e pulire l'alloggiamento. |
| | Il pulsante di attivazione della comunicazione senza fili sull'utensile non è stato premuto. | Premere brevemente il pulsante di attivazione della comunicazione senza fili e accertarsi che l'indicatore luminoso di attivazione della comunicazione senza fili stia lampeggiando in blu. |
| | Il commutatore di standby sull'aspirapolvere non è impostato su "AUTO". | Impostare il commutatore di standby sull'aspirapolvere su "AUTO". |
| | Sull'aspirapolvere sono registrati più di 10 utensili. | Effettuare di nuovo la registrazione dell'utensile. Qualora sull'aspirapolvere siano registrati più di 10 utensili, l'utensile registrato per primo viene annullato automaticamente. |
| | L'aspirapolvere ha cancellato tutte le registrazioni degli utensili. | Effettuare di nuovo la registrazione dell'utensile. |
| | Alimentazione assente | Fornire l'alimentazione all'utensile e all'aspirapolvere. |
| | L'utensile e l'aspirapolvere sono lontani l'uno dall'altro (fuori dalla portata di trasmissione). | Avvicinare l'utensile e l'aspirapolvere tra di loro. La distanza massima di trasmissione è di circa 10 m, ma può variare in base alle circostanze. |
| | Sono presenti disturbi radio dovuti ad altri apparecchi che generano onde radio ad alta intensità. | Tenere l'utensile e l'aspirapolvere lontani da apparecchi quali dispositivi Wi-Fi e forni a microonde. |
| L'aspirapolvere entra in funzione mentre l'interruttore a grilletto dell'utensile non è premuto. | Altri utenti stanno utilizzando l'attivazione della comunicazione senza fili dell'aspirapolvere con i loro utensili. | Disattivare il pulsante di attivazione della comunicazione senza fili degli altri utensili oppure annullare la registrazione degli altri utensili. |

MANUTENZIONE

⚠ATTENZIONE: Accertarsi sempre che l'utensile sia spento e che la cartuccia della batteria sia stata rimossa prima di tentare di eseguire interventi di ispezione o manutenzione.

⚠ATTENZIONE: Pulire la protezione per assicurare che non sia presente segatura accumulata che potrebbe impedire il funzionamento del sistema di protezione. Un sistema di protezione sporco potrebbe limitare il funzionamento corretto, il che potrebbe risultare in gravi lesioni personali. Il modo più efficace per ottenere tale pulizia è l'uso di aria compressa. **Qualora la polvere venga soffiata al di fuori della protezione, accertarsi di utilizzare protezioni appropriate per occhi e respirazione.**

AVVISO: Non utilizzare mai benzina, benzene, solventi, alcol o altre sostanze simili. In caso contrario, si potrebbero causare scolorimenti, deformazioni o crepe.

Regolazione della precisione di taglio a 0° e 45°

AVVISO: Non innestare le leve per l'angolo di taglio a unghia di -1° quando si intende regolare la precisione del taglio a 0°.

AVVISO: Non innestare la leva per l'angolo di taglio a unghia di 48° quando si intende regolare la precisione del taglio a 45°.

Queste regolazioni sono state effettuate in fabbrica. Tuttavia, qualora non siano corrette, è possibile regolarle attenendosi alle procedure seguenti.

1. Allentare leggermente le viti di fissaggio sulla parte anteriore e posteriore dell'utensile.
2. Regolare l'angolo della lama.

► **Fig.45:** 1. Righello triangolare

Per regolare la precisione del taglio a 0°, rendere la base perpendicolare alla lama utilizzando un righello triangolare, una squadra per falegnami, e così via, ruotando il bullone di regolazione.

► **Fig.46:** 1. Bullone di regolazione per il taglio a 0°

Per regolare la precisione del taglio a 45°, posizionare la base a 45° rispetto alla lama utilizzando un righello triangolare, ruotando il bullone di regolazione.

► **Fig.47:** 1. Bullone di regolazione per il taglio a 45°

3. Serrare le viti di fissaggio ed effettuare un taglio di prova.

Per preservare la SICUREZZA e l’AFFIDABILITÀ del prodotto, le riparazioni e qualsiasi altro intervento di manutenzione e di regolazione devono essere eseguiti da un centro di assistenza autorizzato Makita, utilizzando sempre ricambi Makita.

ACCESSORI OPZIONALI

⚠ATTENZIONE: Questi accessori o componenti aggiuntivi sono consigliati per l’uso con l’utensile Makita specificato nel presente manuale.

L’impiego di altri accessori o componenti aggiuntivi può costituire un rischio di lesioni alle persone.

Utilizzare gli accessori o i componenti aggiuntivi solo per il loro scopo prefissato.

Per ottenere ulteriori dettagli relativamente a questi accessori, rivolgersi a un centro di assistenza Makita.

- Lama per sega circolare
- Base secondaria
- Chiave esagonale
- Binario guida
- Guida di taglio a unghia
- Morsa
- Foglio
- Foglio di gomma
- Foglio di posizionamento
- Unità senza fili (per il modello DSP601)
- Batteria e caricabatterie originali Makita

NOTA: Alcuni articoli nell’elenco potrebbero essere inclusi nell’imballaggio dell’utensile come accessori standard. Tali articoli potrebbero variare da nazione a nazione.

TECHNISCHE GEGEVENS

| Model: | DSP600 | DSP601 |
|-------------------|--|--------|
| Zaagblad diameter | 165 mm | |
| Max. zaagdiepte | bij 0° | 56 mm |
| | bij 45° verstek | 40 mm |
| | bij 48° verstek | 38 mm |
| Nullasttoerental | 2.500 - 6.300 min ⁻¹ | |
| Totale lengte | 346 mm | |
| Nominale spanning | 36 V gelijkspanning | |
| Accu | BL1815N, BL1820, BL1820B, BL1830, BL1830B, BL1840, BL1840B, BL1850, BL1850B, BL1860B | |
| Lader | DC18RC, DC18RD, DC18SD, DC18SE, DC18SF | |
| Nettogewicht | 4,4 - 5,1 kg | |

- In verband met ononderbroken research en ontwikkeling, behouden wij ons het recht voor de bovenstaande technische gegevens zonder voorafgaande kennisgeving te wijzigen.
- De technische gegevens van de accu kunnen van land tot land verschillen.
- Het gewicht kan verschillen afhankelijk van de hulpstukken, waaronder de accu. De lichtste en zwaarste combinatie, overeenkomstig de EPTA-procedure 01/2014, worden getoond in de tabel.

Gebruiksdoeleinden

Dit gereedschap is speciaal bedoeld voor invalzagen. Het gereedschap is ook bedoeld voor het schulpen en afkorten van hout. Als het gereedschap is uitgerust met het juiste cirkelzaagblad, kan het gereedschap worden gebruikt voor het zagen van aluminium, kunststof, mine-raalhoudend kunststof en soortgelijke materialen.

Geluidsniveau

De typische, A-gewogen geluidsniveaus zijn gemeten volgens EN62841:

Model DSP600

Geluidsdruk niveau (L_{pA}): 92 dB (A)
 Geluidsvermogen niveau (L_{WA}): 103 dB (A)
 Onzekerheid (K): 3 dB (A)

Model DSP601

Geluidsdruk niveau (L_{pA}): 92 dB (A)
 Geluidsvermogen niveau (L_{WA}): 103 dB (A)
 Onzekerheid (K): 3 dB (A)

WAARSCHUWING: Draag
 gehoorscherming.

Trilling

De totale trillingswaarde (triaxiale vectorsom) zoals vastgesteld volgens EN62841:

Model DSP600

Gebruikstoepassing: zagen van hout
 Trillingsemismissie ($a_{h,W}$): 2,5 m/s² of lager
 Onzekerheid (K): 1,5 m/s²

Gebruikstoepassing: zagen van metaal
 Trillingsemismissie ($a_{h,M}$): 2,5 m/s² of lager
 Onzekerheid (K): 1,5 m/s²

Model DSP601

Gebruikstoepassing: zagen van hout
 Trillingsemismissie ($a_{h,W}$): 2,5 m/s² of lager
 Onzekerheid (K): 1,5 m/s²

Gebruikstoepassing: zagen van metaal
 Trillingsemismissie ($a_{h,M}$): 2,5 m/s² of lager
 Onzekerheid (K): 1,5 m/s²

OPMERKING: De opgegeven trillingsemismissiewaarde is gemeten volgens de standaardtestmethode en kan worden gebruikt om dit gereedschap te vergelijken met andere gereedschappen.

OPMERKING: De opgegeven trillingsemismissiewaarde kan ook worden gebruikt voor een beoordeling vooraf van de blootstelling.

WAARSCHUWING: De trillingsemismissie tijdens het gebruik van het elektrisch gereedschap in de praktijk kan verschillen van de opgegeven trillingsemismissiewaarde afhankelijk van de manier waarop het gereedschap wordt gebruikt.

WAARSCHUWING: Zorg ervoor dat veiligheidsmaatregelen worden getroffen ter bescherming van de operator die zijn gebaseerd op een schatting van de blootstelling onder praktijkomstandigheden (rekening houdend met alle fasen van de bedrijfs-cyclus, zoals de tijdsduur gedurende welke het gereedschap is uitgeschakeld en stationair draait, naast de ingeschakelde tijdsduur).

EG-verklaring van conformiteit

Alleen voor Europese landen

De EG-verklaring van conformiteit is bijgevoegd als Bijlage A bij deze gebruiksaanwijzing.

VEILIGHEIDSWAARSCHUWINGEN

Algemene veiligheids waarschuwingen voor elektrisch gereedschap

⚠ WAARSCHUWING: Lees alle veiligheids-waarschuwingen, aanwijzingen, afbeeldingen en technische gegevens behorend bij dit elektrische gereedschap aandachtig door. Als u niet alle onderstaande aanwijzingen naleeft, kan dat resulteren in brand, elektrische schokken en/of ernstig letsel.

Bewaar alle waarschuwingen en instructies om in de toekomst te kunnen raadplegen.

De term "elektrisch gereedschap" in de veiligheidsvoor-schriften duidt op gereedschappen die op stroom van het lichtnet werken (met snoer) of gereedschappen met een accu (snoerloos).

Veiligheids waarschuwingen voor een accucirkelzaag

Werkwijze bij het zagen

- ⚠ GEVAAR:** Houd uw handen uit de buurt van het zaaggebied en het zaagblad. Houd met uw andere hand de voorhandgreep of de behuizing van het gereedschap vast. Als u de zaag met beide handen vasthoudt, kunt u nooit in uw handen zagen.
 - Reik nooit met uw handen onder het werkstuk.** De beschermkap kan u niet beschermen tegen het zaagblad onder het werkstuk.
 - Stel de zaagdiepte in overeenkomstig de dikte van het werkstuk.** Minder dan een volledige tandhoogte dient onder het werkstuk uit te komen.
 - Houd tijdens het zagen het werkstuk nooit vast met uw handen of benen. Zorg dat het werkstuk stabiel is ten opzichte van de ondergrond.** Het is belangrijk het werkstuk goed te ondersteunen om de kans te minimaliseren dat uw lichaam eraan blootgesteld wordt, het zaagblad vastloopt of u de controle over het gereedschap verliest.
- Fig.1
- Houd elektrisch gereedschap vast aan het geïsoleerde oppervlak van de handgrepen wanneer u werkt op plaatsen waar het snijgar-nituur met verborgen bedrading of zijn eigen snoer in aanraking kan komen.** Door contact met onder spanning staande draden, zullen ook de niet-geïsoleerde metalen delen van het elektrisch gereedschap onder spanning komen te staan zodat de gebruiker een elektrische schok kan krijgen.
 - Gebruik bij het schulpen altijd de breedtegeleider of de langsegeleider.** Hierdoor wordt de nauwkeurigheid van het zagen vergroot en de kans op vastlopen van het zaagblad verkleind.

- Gebruik altijd zaagbladen met een middengat van de juiste afmetingen en vorm (diamant versus rond).** Zaagbladen die niet goed passen op de bevestigingsmiddelen van de zaag, zullen uit-het-midden draaien waardoor u de controle over het gereedschap verliest.
- Gebruik nooit een beschadigde of verkeerde bouten en ringen om het zaagblad te bevesti-gen.** De bouten en ringen voor de bevestiging van het zaagblad zijn speciaal ontworpen voor gebruik met uw zaag voor optimale prestaties en veilig gebruik.

Oorzaken van terugslag en aanverwante waarschuwingen

- Terugslag is een plotselinge reactie op een bekneld, vastgelopen of niet-uitgelijnd zaagblad, waardoor de oncontroleerbare zaag omhoog, uit het werkstuk en in de richting van de gebruiker gaat.
- Wanneer het zaagblad bekneld raakt of vastloopt doordat de zaagsnede naar beneden toe smaller wordt, komt het zaagblad tot stilstand en komt als reactie de motor snel omhoog in de richting van de gebruiker.
- Als het zaagblad gebogen of niet-uitgelijnd raakt in de zaagsnede, kunnen de tanden aan de achter-rand van het zaagblad zich in het bovenoppervlak van het hout vreten, waardoor het zaagblad uit de zaagsnede klimt en omhoog springt in de richting van de gebruiker.

Terugslag is het gevolg van misgebruik van de zaag en/ of onjuiste gebruikprocedures of -omstandigheden, en kan worden voorkomen door goede voorzorgsmaatregelen te treffen, zoals hieronder vermeld.

- Houd de zaag stevig vast met beide handen en houd uw armen zodanig dat een terugslag wordt opgevangen. Plaats uw lichaam zijwaarts versprongen van het zaagblad en niet in een rechte lijn erachter.** Door terugslag kan de zaag achterwaarts springen, maar de kracht van de terugslag kan met de juiste voorzorgsmaatregelen door de gebruiker worden opgevangen.
- Wanneer het zaagblad vastloopt, of wanneer u om een of andere reden het zagen onderbreekt, laat u de aan-uitschakelaar los en houdt u de zaag stil in het materiaal totdat het zaagblad volledig tot stilstand is gekomen. Probeer nooit de zaag uit het werkstuk te halen of de zaag naar achteren te trekken, terwijl het zaagblad nog draait omdat hierdoor een terugslag kan optreden.** Onderzoek waarom het zaagblad is vastgelopen en tref afdoende maatregelen om de oorzaak ervan op te heffen.
- Wanneer u de zaag weer inschakelt terwijl het zaagblad in het werkstuk zit, plaatst u het zaagblad in het midden van de zaagsnede zodat de tanden niet in het materiaal grijpen.** Als het zaagblad is vastgelopen, kan wanneer de zaag wordt ingeschakeld het zaagblad uit het werkstuk lopen of terugslaan.
- Ondersteun grote platen om de kans te minimaliseren dat het zaagblad bekneld raakt of terugslaat.** Grote platen neigen door te zakken onder hun eigen gewicht. U moet de plaat ondersteunen aan beide zijden, vlakbij de zaaglijn en vlakbij de rand van de plaat.

► Fig.2

► Fig.3

5. **Gebruik een bot of beschadigd zaagblad niet meer.** Niet-geslepen of verkeerd gezette tanden maken een smalle zaagsnede wat leidt tot grote wrijving, vastlopen en terugslag.
6. **De vergrendelhendels voor het instellen van de zaagbladdiepte en verstekhoek moeten vastgezet zijn alvorens te beginnen met zagen.** Als de afstellingen van het zaagblad tijdens het zagen verlopen, kan dit leiden tot vastlopen of terugslag.
7. **Wees extra voorzichtig wanneer u een invalzaagsnede maakt in een bestaande wand of een andere plaats waarvan u de onderkant niet kunt zien.** Het zaagblad zou een hard voorwerp kunnen raken, met als gevolg een gevaarlijke terugslag.
8. **Houd het gereedschap ALTIJD met beide handen stevig vast. Plaats NOOIT een hand, been of een ander lichaamsdeel onder zoolplaat of achter de zaag, speciaal bij het afkorten.** Als een terugslag optreedt, kan de zaag gemakkelijk achteruit en over uw hand springen waardoor ernstig persoonlijk letsel ontstaat.

► Fig.4

9. **Dwing de zaag nooit. Duw de zaag vooruit met een snelheid waarbij het zaagblad niet vertraagt.** Als u de zaag dwingt, kan dat leiden tot een ongelijkmatige zaagsnede, verminderde nauwkeurigheid en mogelijke terugslag.

Werking van de beschermkap

1. **Controleer voor ieder gebruik of de beschermkap goed sluit. Gebruik de zaag niet als de beschermkap niet vrij kan bewegen en het zaagblad niet onmiddellijk omsluit. Klem of bind de beschermkap nooit vast zodat het zaagblad bloot ligt.** Als u de zaag per ongeluk laat vallen, kan de beschermkap worden verbogen. Controleer of de beschermkap vrij kan bewegen en niet het zaagblad of enig ander onderdeel raakt, onder alle verstekhoeken en op alle zaagdiepten.
2. **Controleer de werking en toestand van de trekveer van de beschermkap. Als de beschermkap en de veer niet correct werken, dienen deze te worden gerepareerd voordat het gereedschap wordt gebruikt.** De beschermkap kan traag werken als gevolg van beschadigde onderdelen, gom- of harsafzetting, of opeenhoping van vuil.
3. **Zorg ervoor dat de zoolplaat van de zaag bij invalzagen niet verschuift.** Zijwaarts verschuiven van het zaagblad veroorzaakt vastlopen en waarschijnlijk terugslag.
4. **Let er altijd op dat de beschermkap het zaagblad bedekt voordat u de zaag op een werkbank of vloer neerlegt.** Een onbeschermd zaagblad dat nog nadraait, zal de zaag achteruit doen lopen waarbij alles op zijn weg wordt gezaagd. Denk aan de tijd die het duurt nadat de schakelaar is losgelaten voordat het zaagblad stilstaat.

Aanvullende veiligheidsvoorschriften

1. **Wees extra voorzichtig bij het zagen in nat hout, druk-behandeld timmerhout en hout met knoesten.** Houd een constante voortgangssnelheid van het gereedschap aan zonder dat het toerental van het zaagblad lager wordt om te voorkomen dat de zaagbladpunten oververhit raken en, bij het zagen van kunststof, dat het kunststof smelt.
2. **Probeer niet afgezaagd materiaal te verwijderen terwijl het zaagblad nog draait. Wacht totdat het zaagblad volledig tot stilstand is gekomen voordat u het afgezaagde materiaal vastpakt.** Het zaagblad draait nog na nadat het gereedschap is uitgeschakeld.
3. **Voorkom dat u in spijkers zaagt. Inspecteer het hout op spijkers en verwijder deze zo nodig voordat u begint te zagen.**
4. **Plaats het bredere deel van de zool van de zaag op het deel van het werkstuk dat goed is ondersteund, en niet op het deel dat omlaag valt nadat de zaagsnede gemaakt is. Als het werkstuk kort of smal is, klemt u het vast. PROBEER NOOIT EEN KORT WERKSTUK IN UW HANDEN VAST TE HOUDEN!**

► Fig.5

5. **Voordat u het gereedschap neerlegt na het voltooiën van een zaagsnede, controleert u dat de beschermkap gesloten is en het zaagblad volledig tot stilstand is gekomen.**
6. **Probeer nooit te zagen waarbij de zaag ondersteboven in een bankschroef is geklemd. Dit is uiterst gevaarlijk en kan leiden tot ernstig persoonlijk letsel.**

► Fig.6

7. **Sommige materialen bevatten chemische stoffen die giftig kunnen zijn. Neem voorzorgsmaatregelen tegen het inademen van stof en contact met de huid. Volg de veiligheidsinstructies van de leverancier van het materiaal op.**
8. **Breng het zaagblad niet tot stilstand door zijdelings op het zaagblad te drukken.**
9. **Gebruik geen slijpschijven.**
10. **Gebruik uitsluitend een zaagblad met een diameter die is aangegeven op het gereedschap of vermeld in de gebruiksaanwijzing.** Het gebruik van een zaagblad met een verkeerde afmeting kan de goede bescherming van het zaagblad of de werking van de beschermkap negatief beïnvloeden, waardoor ernstig persoonlijk letsel kan ontstaan.
11. **Houd het zaagblad scherp en schoon.** Gom of hars dat op het zaagblad is opgedroogd vertraagt het zaagblad en verhoogt de kans op terugslag. Houd het zaagblad schoon door dit eerst van het gereedschap te demonteren en het vervolgens schoon te maken met een reinigingsmiddel voor gom en hars, heet water of kerosine. Gebruik nooit benzine.
12. **Draag een stofmasker en gehoorbescherming tijdens gebruik van het gereedschap.**
13. **Gebruik altijd het zaagblad dat is bedoeld voor zagen in het materiaal waarin u gaat zagen.**

14. Gebruik altijd een zaagblad dat is gemarkeerd met een toerental dat gelijk is aan of hoger is dan het toerental dat is aangegeven op het gereedschap.
15. (Alleen voor Europese landen)
Gebruik altijd een zaagblad dat voldoet aan EN847-1.

BEWAAR DEZE INSTRUCTIES.

⚠WAARSCHUWING: Laat u NIET misleiden door een vals gevoel van comfort en bekendheid met het gereedschap (na veelvuldig gebruik) en neem alle veiligheidsvoorschriften van het betreffende gereedschap altijd strikt in acht. **VERKEERD GEBRUIK** of het niet naleven van de veiligheidsvoorschriften in deze gebruiksaanwijzing kan leiden tot ernstig persoonlijk letsel.

Belangrijke veiligheidsinstructies voor een accu

1. Lees alle voorschriften en waarschuwingen op (1) de acculader, (2) de accu, en (3) het product waarvoor de accu wordt gebruikt, alvorens de accu in gebruik te nemen.
2. Neem de accu niet uit elkaar.
3. Als de gebruikstijd van een opgeladen accu aanzienlijk korter is geworden, moet u het gebruik ervan onmiddellijk stopzetten. Voortgezet gebruik kan oververhitting, brandwonden en zelfs een ontploffing veroorzaken.
4. Als elektrolyt in uw ogen is terechtgekomen, spoelt u uw ogen met schoon water en roept u onmiddellijk de hulp van een dokter in. Elektrolyt in de ogen kan blindheid veroorzaken.
5. Voorkom kortsluiting van de accu:
 - (1) Raak de accuklemmen nooit aan met een geleidend materiaal.
 - (2) Bewaar de accu niet in een bak waarin andere metalen voorwerpen zoals spijkers, munten e.d. worden bewaard.
 - (3) Stel de accu niet bloot aan water of regen. Kortsluiting van de accu kan oorzaak zijn van een grote stroomafgifte, oververhitting, brandwonden, en zelfs defecten.
6. Bewaar het gereedschap en de accu niet op plaatsen waar de temperatuur kan oplopen tot 50°C of hoger.
7. Werp de accu nooit in het vuur, ook niet wanneer hij zwaar beschadigd of volledig versleten is. De accu kan ontploffen in het vuur.
8. Wees voorzichtig dat u de accu niet laat vallen en hem niet blootstelt aan schokken of stoten.
9. Gebruik nooit een beschadigde accu.
10. De bijgeleverde lithium-ionbatterijen zijn onderhevig aan de vereisten in de wetgeving omtrent gevaarlijke stoffen.

Voor commercieel transport en dergelijke door derden en transporteurs moeten speciale vereisten ten aanzien van verpakking en etikettering worden nageleefd.

Als voorbereiding van het artikel dat wordt getransporteerd is het noodzakelijk een expert op het gebied van gevaarlijke stoffen te raadplegen. Houd u tevens aan mogelijk strengere nationale regelgeving.

Blootliggende contactpunten moeten worden afgedekt met tape en de accu moet zodanig worden verpakt dat deze niet kan bewegen in de verpakking.

11. Volg bij het weggooien van de accu de plaatselijke voorschriften.

BEWAAR DEZE INSTRUCTIES.

⚠LET OP: Gebruik uitsluitend originele Makita accu's. Het gebruik van niet-originele accu's, of accu's die zijn gewijzigd, kan ertoe leiden dat de accu ontploft en brand, persoonlijk letsel en schade veroorzaakt. Ook vervalt daarmee de garantie van Makita op het gereedschap en de lader van Makita.

Tips voor een maximale levensduur van de accu

1. Laad de accu op voordat hij volledig ontladen is. Stop het gebruik van het gereedschap en laad de accu op telkens wanneer u vaststelt dat het vermogen van het gereedschap is afgenomen.
2. Laad een volledig opgeladen accu nooit opnieuw op. Te lang opladen verkort de levensduur van de accu.
3. Laad de accu op bij een omgevingstemperatuur tussen 10°C en 40°C. Laat een warme accu afkoelen alvorens hem op te laden.
4. Laad de accu op als u deze gedurende een lange tijd (meer dan zes maanden) niet gaat gebruiken.

Belangrijke veiligheidsinstructies voor de draadloos-eenheid

1. Haal de draadloos-eenheid niet uit elkaar en knoei er niet aan.
2. Houd de draadloos-eenheid uit de buurt van kinderen. Indien per ongeluk ingeslikt, raadpleegt u onmiddellijk een arts.
3. Gebruik de draadloos-eenheid uitsluitend met Makita-gereedschap.
4. Stel de draadloos-eenheid niet bloot aan regen of natte omstandigheden.
5. Gebruik de draadloos-eenheid niet op plaatsen waar de temperatuur hoger is dan 50 °C.
6. Bedien de draadloos-eenheid niet op plaatsen in de buurt van medische instrumenten, zoals een pacemaker.
7. Bedien de draadloos-eenheid niet op plaatsen in de buurt van geautomatiseerde apparaten. Bij bediening ervan kan in de geautomatiseerde apparaten een storing of fout optreden.
8. De draadloos-eenheid kan elektromagnetische velden genereren, maar deze zijn niet schadelijk voor de gebruiker.
9. De draadloos-eenheid is een nauwkeurig instrument. Wees voorzichtig dat u de draadloos-eenheid niet laat vallen of ergens tegenaan stoot.
10. Raak de aansluitpunten van de draadloos-eenheid niet aan met blote handen of metaalachtige materialen.

11. Verwijder altijd de accu uit het gereedschap wanneer u de draadloos-eenheid aanbrengt.
12. Open de afdekking van de gleuf niet op plaatsen waar stof of vocht in de gleuf kan binnendringen. Houd de ingang van de gleuf altijd schoon.
13. Breng de draadloos-eenheid altijd in de juiste richting aan.
14. Druk niet te hard op de knop voor draadloos inschakelen op de draadloos-eenheid en/of druk niet op de knop met een scherp voorwerp.
15. Sluit altijd de afdekking van de gleuf tijdens gebruik.
16. Verwijder de draadloos-eenheid niet uit de gleuf terwijl voeding wordt geleverd aan het gereedschap. Als u dit doet, kan een storing optreden in de draadloos-eenheid.
17. Verwijder de sticker op de draadloos-eenheid niet.
18. Plak geen stickers op de draadloos-eenheid.
19. Laat de draadloos-eenheid niet liggen op een plaats waar statische elektriciteit of elektrische ruis kan worden gegenereerd.
20. Laat de draadloos-eenheid niet liggen op een plaats die is blootgesteld aan hoge temperaturen, zoals in een auto die in de zon staat geparkeerd.
21. Laat de draadloos-eenheid niet liggen op een plaats met veel stof of poeder, of op een plaats waar corrosief gas kan worden gegenereerd.
22. Door een plotselinge verandering in temperatuur kan condens op de draadloos-eenheid worden gevormd. Gebruik de draadloos-eenheid niet voordat de condens volledig is verdampt.
23. Veeg de draadloos-eenheid voorzichtig schoon met een droge, zachte doek. Gebruik geen wasbenzine, thinner, geleidend vet en dergelijke.
24. Bewaar de draadloos-eenheid in de bijgeleverde doos of een antistatische container.
25. Breng geen andere apparaten dan een draadloos-eenheid van Makita aan in de gleuf van het gereedschap.
26. Gebruik het gereedschap niet als de afdekking van de gleuf beschadigd is. Water, stof en vuil die in de gleuf binnendringen, kunnen een storing veroorzaken.
27. Trek en draai niet meer dan nodig is aan de afdekking van de gleuf. Plaats de afdekking terug als deze los komt van het gereedschap.
28. Vervang de afdekking van de gleuf als deze verloren of beschadigd is.

BEWAAR DEZE INSTRUCTIES.

BESCHRIJVING VAN DE FUNCTIES

⚠ LET OP: Zorg altijd dat het gereedschap is uitgeschakeld en de accu ervan is verwijderd alvorens de functies op het gereedschap af te stellen of te controleren.

De accu aanbrengen en verwijderen

⚠ LET OP: Schakel het gereedschap altijd uit voordat u de accu aanbrengt of verwijdert.

⚠ LET OP: Houd het gereedschap en de accu stevig vast tijdens het aanbrengen of verwijderen van de accu. Als u het gereedschap en de accu niet stevig vasthoudt, kunnen deze uit uw handen glippen en het gereedschap of de accu beschadigen, of kan persoonlijk letsel worden veroorzaakt.

► Fig.7: 1. Rood deel 2. Knop 3. Accu

Om de accu te verwijderen verschuift u de knop aan de voorkant van de accu en schuift u tegelijkertijd de accu uit het gereedschap.

Om de accu aan te brengen lijnt u de lip op de accu uit met de groef in de behuizing en duwt u de accu op zijn plaats. Steek de accu zo ver mogelijk in het gereedschap tot u een klinkgeluid hoort. Als u het rode deel aan de bovenkant van de knop kunt zien, is de accu niet goed aangebracht.

⚠ LET OP: Breng de accu altijd helemaal aan totdat het rode deel niet meer zichtbaar is. Als u dit niet doet, kan de accu per ongeluk uit het gereedschap vallen en u of anderen in uw omgeving verwonden.

⚠ LET OP: Breng de accu niet met kracht aan. Als de accu niet gemakkelijk in het gereedschap kan worden geschoven, wordt deze niet goed aangebracht.

OPMERKING: Het gereedschap werkt niet met slechts één accu.

Gereedschap-/accubeveiligingssysteem

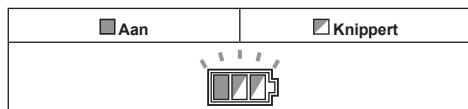
Het gereedschap is uitgerust met een gereedschap-/accubeveiligingssysteem. Dit systeem kan automatisch de stroomtoevoer naar de motor afsluiten om de levensduur van het gereedschap en de accu te verlengen. Het gereedschap zal tijdens gebruik automatisch stoppen wanneer het gereedschap of de accu zich in een van de volgende omstandigheden bevindt: Onder bepaalde omstandigheden gaan de indicatorlampjes branden.

Overbelastingsbeveiliging

Wanneer het gereedschap wordt gebruikt op een manier waarop het een abnormaal hoge stroom trekt, stopt het gereedschap automatisch. Schakel in die situatie het gereedschap uit en stop het gebruik dat ertoe leidde dat het gereedschap overbelast raakte. Schakel daarna het gereedschap in om het weer te starten.

Oververhittingsbeveiliging

Wanneer het gereedschap oververhit is, stopt het gereedschap automatisch en knippert de accu-indicator gedurende ongeveer 60 seconden. Laat in die situatie het gereedschap afkoelen voordat u het gereedschap weer inschakelt.



Beveiliging tegen te ver ontladen

Als de acculading laag is, stopt het gereedschap automatisch. Als het gereedschap niet werkt, ook niet wanneer de schakelaars worden bediend, verwijdert u de accu's vanaf het gereedschap en laadt u de accu's op.

De resterende acculading controleren

- **Fig.8:** 1. Accu-indicator (voor bovenste accu)
2. Testknop 3. Accu-indicator (voor onderste accu)

Druk op de testknop om de resterende acculadingen te zien. De accu-indicatorlampjes geven per accu de resterende acculading aan.

| Toestand van accu-indicator | | | Resterende acculading |
|------------------------------|------------------------------|-----------------------------------|-----------------------|
| <input type="checkbox"/> Aan | <input type="checkbox"/> Uit | <input type="checkbox"/> Knippert | |
| | | | 50% tot 100% |
| | | | 20% tot 50% |
| | | | 0% tot 20% |
| | | | Laad de accu op. |

De resterende acculading controleren

Alleen voor accu's met indicatorlampjes

- **Fig.9:** 1. Indicatorlampjes 2. Testknop

Druk op de testknop op de accu om de resterende acculading te zien. De indicatorlampjes branden gedurende enkele seconden.

| Indicatorlampjes | | | Resterende acculading |
|---------------------------------|------------------------------|-----------------------------------|--|
| <input type="checkbox"/> Brandt | <input type="checkbox"/> Uit | <input type="checkbox"/> Knippert | |
| | | | 75% tot 100% |
| | | | 50% tot 75% |
| | | | 25% tot 50% |
| | | | 0% tot 25% |
| | | | Laad de accu op. |
| | | | Er kan een storing zijn opgetreden in de accu. |

OPMERKING: Afhankelijk van de gebruiksomstandigheden en de omgevingstemperatuur, is het mogelijk dat de aangegeven acculading verschilt van de werkelijke acculading.

Automatische toerentalwisselfunctie

OPMERKING: De functie voor het automatisch veranderen van het toerental is alleen beschikbaar als het toerentalinstelwiel op stand 5 staat.

Dit gereedschap heeft een "hoog-toerentalfunctie" en een "hoog-koppelfunctie".

Het gereedschap verandert de bedieningsfunctie automatisch aan de hand van de werkbelasting. Wanneer de werkbelasting laag is, draait het gereedschap in de "hoog-toerentalfunctie" om sneller te kunnen zagen. Wanneer de werkbelasting hoog is, draait het gereedschap in de "hoog-koppelfunctie" om krachtiger te kunnen zagen.

- **Fig.10:** 1. Functie-indicator

De functie-indicator brandt groen wanneer het gereedschap in de "hoog-koppelfunctie" draait.

Als het gereedschap onder buitensporige belasting draait, knippert de functie-indicator groen. De functie-indicator stopt met knipperen en gaat branden of gaat uit wanneer u de belasting op het gereedschap verlaagt.

| Status van functie-indicator | | | Bedieningsfunctie |
|---------------------------------|------------------------------|-----------------------------------|-----------------------------------|
| <input type="checkbox"/> Brandt | <input type="checkbox"/> Uit | <input type="checkbox"/> Knippert | |
| | | | Hoog-toerentalfunctie |
| | | | Hoog-koppelfunctie |
| | | | Waarschuwing wegens overbelasting |

De zaagdiepte instellen

⚠ LET OP: Nadat u de zaagdiepte hebt ingesteld, zet u de klembout altijd stevig vast.

Draai de klembout op de dieptegeleider los en plaats de zaagdieptebegrenzer op de gewenste positie op de instelschaal. Draai de klembout op de gewenste zaagdiepte stevig vast. Voor een schonere, veiligere zaagsnede, stelt u de zaagdiepte zodanig in dat niet meer dan een tandhoogte door het werkstuk heen steekt. Door de zaagdiepte goed in te stellen, verkleint u de kans op een potentieel gevaarlijke TERUGSLAG, en daarmee op persoonlijk letsel.

► **Fig.11:** 1. Zaagdieptebegrenzer 2. Klembout

Snelstopknop voor 2 tot 3 mm zaagdiepte bij gebruikmaking van een geleiderail (optioneel accessoire)

Bij dit gereedschap zit de snelstopknop voor 2 tot 3 mm zaagdiepte op het tandwielhuis naast de achterhandgreep bij gebruikmaking van een geleiderail. Deze wordt gebruikt om splinters op het werkstuk in de zaagsnede te voorkomen. Zaag de eerste gang van 2 tot 3 mm diepte en vervolgens een gang op de gebruikelijke diepte.

► **Fig.12:** 1. Snelstopknop

Om de 2 tot 3 mm zaagdiepte in te stellen, drukt u de snelstopknop in de richting van het zaagblad in. Hierdoor voorkomt u dat zich splinters vormen op het werkstuk. Trek de knop terug om de zaagdiepte vanuit deze stand terug te zetten naar de vrije zaagdiepte.

Schuine zaagsnede

Draai de klembouten los. Kantel om de gewenste hoek in te stellen en draai dan de klembouten weer stevig vast.

► **Fig.13:** 1. Klembout
2. Schuine-zaagsnedeschaalplaat

► **Fig.14:** 1. Subzool (Optioneel accessoire)
2. Klembout

Positieve stop

De aanslag is nuttig om de vaste hoek snel in te stellen. Draai de aanslag zodag de pijl erop wijst naar 22,5°. Draai de klembouten aan de voorkant en achterkant los. Kantel vervolgens het zaagblad tot het stopt en zet de zool vast met behulp van de klembouten.

► **Fig.15:** 1. Positieve stop 2. Klembout

Schuine zaagsnede van 48°

Om een schuine zaagsnede van 48° te zagen, draait u de klembouten los en kantelt u de hendel helemaal in de richting van de pijl in de afbeelding. Stel daarna de schuine hoek in op 48° en draai de klembouten weer vast.

► **Fig.16:** 1. Hendel

Schuine zaagsnede van -1°

Om een schuine zaagsnede van -1° te zagen, draait u de klembouten los en duwt u de hendels in de richting van de pijl in de afbeelding. Stel daarna de schuine hoek in op -1° en draai de klembouten weer vast.

► **Fig.17:** 1. Hendel

Zichtlijn

► **Fig.18:** 1. Zool

De zaaglijn verandert aan de hand van de zaaghoek en of de geleiderail (optioneel accessoire) wordt gebruikt.

Bij gebruik van het gereedschap zonder geleiderail
Voor recht zagen lijnt u de positie A op de voorkant van de zool uit met de zaaglijn. Voor een schuine zaagsnede van 45°, lijnt u uit met positie B.

Bij gebruik van het gereedschap met geleiderail
Voor zowel recht zagen als schuine zaagsneden van 45°, lijnt u altijd de positie A op de voorkant van de zool uit met de zaaglijn.

De trekkerschakelaar gebruiken

⚠ WAARSCHUWING: Alvorens de accu in het gereedschap te plaatsen, moet u altijd controleren of de trekkerschakelaar goed werkt en bij het loslaten terugkeert naar de stand "OFF".

⚠ WAARSCHUWING: U mag NOOIT de uit-vergrendelknop buiten werking stellen door hem met tape vast te zetten of iets dergelijks. Een schakelaar met een buiten werking gestelde uit-vergrendelknop, kan leiden tot onbedoeld inschakelen en ernstig persoonlijk letsel.

⚠ WAARSCHUWING: Gebruik het gereedschap NOOIT als het start door alleen maar de trekkerschakelaar in te knijpen zonder de uit-vergrendelknop in te drukken. Een schakelaar die moet worden gerepareerd, kan leiden tot onbedoeld inschakelen en ernstig persoonlijk letsel. Stuur het gereedschap op naar een Makita-servicecentrum voor reparatie ZONDER het verder te gebruiken.

Om te voorkomen dat de trekkerschakelaar per ongeluk wordt ingeknepen, is een uit-vergrendelknop aangebracht. Om het gereedschap te starten, drukt u de uit-vergrendelknop in en knijpt u de trekkerschakelaar in. Laat de trekkerschakelaar los om te stoppen.

► **Fig.19:** 1. Trekkerschakelaar 2. Uit-vergrendelknop

KENNISGEVING: Druk de trekschakelaar niet hard in zonder dat de uit-vergrendelknop is ingedrukt. Hierdoor kan de schakelaar kapot gaan.

Toerentalinstelwiel

Het toerental van het gereedschap kan worden ingesteld door het instelwiel te draaien. Het toerental van het zaagblad neemt toe naarmate het cijfer op het toerentalinstelwiel hoger is.

► **Fig.20:** 1. Toerentalinstelwiel

Raadpleeg de tabel om het juiste toerental te kiezen voor het werkstuk dat u wilt zagen. Het juiste toerental is echter ook afhankelijk van de soort en de dikte van het werkstuk. Over het algemeen kunt u met een hoger toerental een werkstuk sneller zagen, maar gaat de levensduur van het zaagblad achteruit.

| Cijfer | Toerental van het zaagblad (min ⁻¹) |
|--------|---|
| 1 | 2.500 min ⁻¹ |
| 2 | 2.900 min ⁻¹ |
| 3 | 3.900 min ⁻¹ |
| 4 | 4.900 min ⁻¹ |
| 5 | 6.300 min ⁻¹ |

⚠ LET OP: Het toerentalinstelwiel is niet bedoeld om het gebruik van lagesnelheidszaagbladen mogelijk te maken, maar voor het instellen van een toerental dat geschikt is voor het materiaal van het werkstuk. Gebruik uitsluitend zaagbladen die bedoeld zijn voor toerentallen van ten minste het maximale nullastoerental, zoals vermeld in de TECHNISCHE GEGEVENS.

KENNISGEVING: Het toerentalinstelwiel kan slechts tot cijfer 5 worden gedraaid en weer worden teruggedraaid tot cijfer 1. Probeer niet om het toerentalinstelwiel voorbij cijfer 5 of verder terug dan cijfer 1 te draaien, anders kan de toerentalregeling defect raken.

Elektronische functie

Een gereedschap met elektronische aansturing is dankzij de volgende eigenschappen gemakkelijk te bedienen.

Overbelastingsbeveiliging

Wanneer het gereedschap overbelast raakt en de stroomsterkte een bepaalde waarde overschrijdt, stopt het gereedschap automatisch om de motor te beveiligen.

Constant-toerentalregeling

Elektronische toerentalregeling voor het aanhouden van een constant toerental. Maakt een onberispelijke afwerking mogelijk omdat het toerental zelfs onder belasting constant blijft.

Zachte-startfunctie

Maakt een zachte start mogelijk door onderdrukking van de startschok.

MONTAGE

⚠ LET OP: Zorg altijd dat het gereedschap is uitgeschakeld en de accu ervan is verwijderd alvorens enig werk aan het gereedschap uit te voeren.

Opbergen van de inbussleutel

Wanneer u de inbussleutel niet gebruikt, bergt u deze op de plaats aangegeven in de afbeelding op, om te voorkomen dat deze wordt verloren.

► Fig.21: 1. Inbussleutel

Het cirkelzaagblad aanbrengen en verwijderen

⚠ LET OP: Verzekert u ervan dat het cirkelzaagblad zodanig wordt aangebracht dat de tanden aan de voorkant van het gereedschap omhoog wijzen.

⚠ LET OP: Gebruik uitsluitend de Makita-inbussleutel voor het aanbrengen en verwijderen van het cirkelzaagblad.

Om het cirkelzaagblad te verwijderen:

1. Druk de uit-vergrendelknop in en breng de handgreep iets omhoog. Draai de vergrendelhendel en breng de handgreep omlaag totdat de borgpen in het gat past.
- Fig.22: 1. Uit-vergrendelknop 2. Vergrendelhendel 3. Borgpen 4. Gat voor borgpen

2. Druk de asvergrendeling volledig in zodat het zaagblad niet kan draaien en draai de inbusbout met de inbussleutel tegen de klok in los.

► Fig.23: 1. Asvergrendeling 2. Inbussleutel 3. Vastdraaien 4. Losdraaien

3. Verwijder de inbusbout, de buitenflens en het cirkelzaagblad.

► Fig.24: 1. Inbusbout 2. Buitenflens 3. Binnenflens 4. Cirkelzaagblad

⚠ WAARSCHUWING: Als de binnenflens werd verwijderd, moet deze weer op de as worden aangebracht. Kies bij het aanbrengen de correcte zijde waarvan het uitsteeksel perfect past in het middengat van het zaagblad. Als u het zaagblad op de verkeerde kant van de binnenflens aanbrengt, kunnen gevaarlijke trillingen het gevolg zijn.

Om het cirkelzaagblad aan te brengen, volgt u de verwijderingsprocedure in omgekeerde volgorde. Druk de uit-vergrendelknop zodat de borgpen uit het gat komt.

⚠ WAARSCHUWING: ZORG ERVOOR DAT U DE INBUSBOUT STEVIG VASTDRAAIT. Wees ook voorzichtig de bout niet te strak aan te draaien. Als u met uw hand van de inbussleutel af glijdt, kan persoonlijk letsel ontstaan.

De beschermkap reinigen

Vergeet niet om tijdens het verwisselen van het cirkelzaagblad tevens de beschermkap te ontdoen van opgehoopt zaagsel, zoals beschreven in het hoofdstuk Onderhoud. Ondanks dergelijk onderhoud blijft het noodzakelijk de werking van de beschermkap voor ieder gebruik te controleren.

Een stofzuiger aansluiten

Optioneel accessoire

Om de zaagomgeving schoon te houden, kunt u een Makita-stofzuiger op dit gereedschap aansluiten. Sluit de stofzuigerslang aan op de stofzuigaansluitmond met behulp van aansluitmond 24.

► Fig.25: 1. Stofzuigerslang 2. Aansluitmond 24 3. Stofzuigaansluitmond

BEDIENING

⚠ LET OP: Duw het gereedschap voorzichtig in een rechte lijn naar voren. Als u het gereedschap dwingt of verdraait, zal de motor oververhit raken en het gereedschap gevaarlijk terugslaan waardoor ernstig letsel kan worden veroorzaakt.

⚠ LET OP: Kom tijdens afzagen, en met name bij het starten, nooit met enig lichaamsdeel onder de gereedschapzool. Als u dat doet, kan dat ernstig persoonlijk letsel veroorzaken. Het zaagblad steekt uit onder de gereedschapzool.

OPMERKING: Wanneer de temperatuur van de accu laag is, werkt het gereedschap mogelijk niet op volle capaciteit. Gebruik in dat geval het gereedschap enige tijd voor licht zaagwerk totdat de accu is opgewarmd tot kamertemperatuur. Daarna kan het gereedschap op volle capaciteit werken.

Afzagen (gewoon zagen)

► Fig.26

Houd het gereedschap stevig vast. Het gereedschap is voorzien van zowel een voorhandgreep als een achterhandgreep. Gebruik beide om het gereedschap zo goed mogelijk vast te houden. Als u de zaag met beide handen vasthoudt, kan het cirkelzaagblad nooit in uw handen zagen. Plaats eerst de zool op het werkstuk dat u wilt zagen, zonder dat het cirkelzaagblad het werkstuk raakt. Druk daarna op de uit-vergrendelknop en knijp de trekkerschakelaar in. Wacht totdat het cirkelzaagblad op maximaal toerental draait. Druk nu de zaagkop langzaam tot de vooraf ingestelde zaagdiepte naar beneden en beweeg het gereedschap ontspannen over het oppervlak van het werkstuk vooruit, waarbij u het plat hout en soepel vooruit beweegt totdat het zagen is voltooid.

Zorg voor een schone zaagsnede door een rechte zaaglijn en een constante voortgangssnelheid. Als de zaagsnede niet verloopt volgens de voorgenomen zaaglijn, mag u niet proberen het gereedschap iets te draaien of te dwingen terug te keren naar de zaaglijn. Als u dit doet, kan het cirkelzaagblad vastlopen en een gevaarlijke terugslag optreden met mogelijk ernstig persoonlijk letsel tot gevolg. Laat de schakelaar los, wacht tot het cirkelzaagblad tot stilstand is gekomen en trek vervolgens het gereedschap terug. Lijn het gereedschap opnieuw uit met een nieuwe zaaglijn en begin weer te zagen. Probeer te vermijden dat door de positie van het gereedschap de gebruiker wordt blootgesteld aan zaagsel en spaanders die door de zaag worden uitgeworpen. Gebruik oogbescherming om verwonding te voorkomen.

Geleiderail

Optioneel accessoire

Plaats het gereedschap op de achterkant van de geleiderail. Draai aan de twee stelschroeven op de gereedschapzool het gereedschap soepel zonder gerammel kan glijden. Houd zowel de voorhandgreep als de achterhandgreep van het gereedschap stevig vast. Schakel het gereedschap in, druk het gereedschap omlaag tot de vooraf ingestelde zaagdiepte, en zaag de splinterbescherming in één keer over de volle lengte af. De rand van de splinterbescherming komt nu overeen met de zaagrand.

► Fig.27: 1. Stelschroeven

Bij het zagen van een schuine zaagsnede met de geleiderail, moet u de schuifhendel gebruiken om te voorkomen dat het gereedschap omvalt.

Beweeg de schuifhendel op de gereedschapzool in de richting van de pijl zodat hij in de ondersnijdingsgroef in de geleiderail valt.

► Fig.28: 1. Schuifhendel

Subzool (liniaal)

Optioneel accessoire

Door de subzool als een liniaal te gebruiken, kunt u uiterst nauwkeurige rechte sneden zagen. Draai de klembouten los en schuif de subzool uit het gereedschap, en steek hem daarna ondersteboven erin.

► Fig.29: 1. Klembout 2. Subzool

Schuif gewoon de geleider van de subzool strak tegen de zijkant van het werkstuk en zet deze op zijn plaats vast met behulp van de klembouten. Op deze manier is het tevens mogelijk een zaagbeweging te herhalen met identieke breedte.

► Fig.30: 1. Klembout 2. Subzool

Invalzagen (uitzagen)

⚠ WAARSCHUWING: Houd u aan de volgende instructies om een terugslag te voorkomen.

► Fig.31: 1. Achterrand van gereedschapzool 2. Vaste aanslag

Wanneer het gereedschap zonder de geleiderail wordt gebruikt, plaatst u het gereedschap op het werkstuk met de achterrand van de gereedschapzool tegen een vaste aanslag of iets dergelijks dat door de operator is aangebracht.

Wanneer het gereedschap met de geleiderail wordt gebruikt, plaatst u het gereedschap op de geleiderail met de achterrand van de gereedschapzool tegen een vaste aanslag of iets dergelijks dat op de geleiderail is geklemd.

Houd het gereedschap stevig vast met één hand op de voorhandgreep en de andere op de achterhandgreep. Druk daarna op de uit-vergrendelknop, schakel het gereedschap in en wacht tot het zaagblad op maximaal toerental draait. Druk nu de zaagkop langzaam omlaag tot de vooraf ingestelde zaagdiepte en beweeg het gereedschap eenvoudig vooruit naar de gewenste invalpositie.

OPMERKING: De markeringen op de zijkant van de beschermkap geven nauwkeurig de inzaagpunten aan de voorzijde en de achterzijde van het zaagblad aan bij de maximale zaagdiepte en met gebruikmaking van de geleiderail.

► Fig.32: 1. Voorste zaagpunt 2. Achterste zaagpunt

Geleideapparaat

Optioneel accessoire

Gebruik van de verstekgeleider maakt nauwkeurig verstekzagen met hoeken en passingen mogelijk. Door het gebruiken van de klem wordt het werkstuk stevig op de tafel bevestigd.

FUNCTIE VOOR DRAADLOOS INSCHAKELN

Alleen voor DSP601

Mogelijkheden van de functie voor draadloos inschakelen

Met de functie voor draadloos inschakelen kunt u schoon en comfortabel werken. Door een ondersteunde stofzuiger aan te sluiten op het gereedschap, kunt u de stofzuiger automatisch laten in- en uitschakelen bij bediening van de schakelaar van het gereedschap.

► Fig.33

Om de functie voor draadloos inschakelen te gebruiken, dient u de volgende zaken voor te bereiden:

- Een draadloos-eenheid
- Een stofzuiger die de functie voor draadloos inschakelen ondersteunt

In het kort bestaat het instellen van de functie voor draadloos inschakelen uit de volgende punten. Raadpleeg elke paragraaf voor informatie over de procedure.

1. De draadloos-eenheid aanbrengen
2. Registratie van het gereedschap op de stofzuiger
3. De functie voor draadloos inschakelen starten

De draadloos-eenheid aanbrengen

⚠ LET OP: Plaats het gereedschap op een vlakke en stabiele ondergrond wanneer u de draadloos-eenheid aanbrengt.

KENNISGEVING: Verwijder het stof en vuil vanaf het gereedschap voordat u de draadloos-eenheid aanbrengt. Stof en vuil kunnen een storing veroorzaken wanneer ze binnendringen in de gleuf voor de draadloos-eenheid.

KENNISGEVING: Om een storing als gevolg van statische elektriciteit te voorkomen, raakt u een materiaal aan dat statische elektriciteit ontlad, zoals een metalen onderdeel van het gereedschap, voordat u de draadloos-eenheid oppakt.

KENNISGEVING: Let er bij het aanbrengen van de draadloos-eenheid altijd op dat de draadloos-eenheid in de correcte richting wordt aangebracht en dat de afdekking volledig wordt gesloten.

1. Open de afdekking op het gereedschap, zoals aangegeven in de afbeelding.

► Fig.34: 1. Afdekking

2. Breng de draadloos-eenheid aan in de gleuf en sluit vervolgens de afdekking.

Wanneer u de draadloos-eenheid aanbrengt, lijnt u de uitsteeksel uit met de uitsparingen in de gleuf.

- Fig.35: 1. Draadloos-eenheid 2. Uitsteeksel 3. Afdekking 4. Uitsparing

Wanneer u de draadloos-eenheid verwijdert, opent u langzaam de afdekking. De haken op de achterkant van de afdekking, tillen de draadloos-eenheid op terwijl u de afdekking omhoog trekt.

- Fig.36: 1. Draadloos-eenheid 2. Haak 3. Afdekking

Nadat de draadloos-eenheid is verwijderd, bewaart u hem in de bijgeleverde doos of een antistatische container.

KENNISGEVING: Gebruik altijd de haken op de achterkant van de afdekking wanneer u de draadloos-eenheid verwijdert. Als de haken niet aangrijpen op de draadloos-eenheid, sluit u de afdekking volledig en opent u hem weer langzaam.

Registratie van het gereedschap op de stofzuiger

OPMERKING: Een stofzuiger van Makita die de functie voor draadloos inschakelen ondersteunt, is vereist voor registratie van het gereedschap.

OPMERKING: Voltooi het aanbrengen van de draadloos-eenheid in het gereedschap voordat u de registratie van het gereedschap start.

OPMERKING: Gedurende de registratie van het gereedschap mag u de trekkerschakelaar van het gereedschap niet inknippen en de aan-uitknop van de stofzuiger niet bedienen.

OPMERKING: Raadpleeg tevens de gebruiksaanwijzing van de stofzuiger.

Als u wilt dat de stofzuiger wordt ingeschakeld tegelijk met de bediening van de schakelaar van het gereedschap, moet u van tevoren de registratie van het gereedschap voltooien.

1. Breng de accu's aan in de stofzuiger en het gereedschap.

2. Zet de standbyschakelaar op de stofzuiger op "AUTO".

► Fig.37: 1. Standbyschakelaar

3. Houd de knop voor draadloos inschakelen op de stofzuiger gedurende 3 seconden ingedrukt totdat de lamp van draadloos inschakelen groen knippert. En houd daarna op dezelfde manier de knop voor draadloos inschakelen op het gereedschap ingedrukt.

► Fig.38: 1. Knop voor draadloos inschakelen 2. Lamp van draadloos inschakelen

Nadat de stofzuiger en het gereedschap met succes aan elkaar zijn gekoppeld, zullen de lampen van draadloos inschakelen gedurende 2 seconden groen branden, waarna ze blauw gaan knipperen.

OPMERKING: De lampen van draadloos inschakelen stoppen na 20 seconden met groen knipperen. Druk op de knop voor draadloos inschakelen op het gereedschap terwijl de lamp van draadloos inschakelen op de stofzuiger knippert. Als de lamp van draadloos inschakelen niet groen knippert, drukt u kort op de knop voor draadloos inschakelen en houdt u deze weer ingedrukt.

OPMERKING: Als u twee of meer gereedschappen registreert op één stofzuiger, voltooit u de registratie van de gereedschappen één voor één.

De functie voor draadloos inschakelen starten

OPMERKING: Voltooi de registratie van het gereedschap op de stofzuiger voordat u de functie draadloos inschakelen gebruikt.

OPMERKING: Raadpleeg tevens de gebruiksaanwijzing van de stofzuiger.

Nadat een gereedschap in de stofzuiger is geregistreerd, wordt de stofzuiger automatisch in- en uitgeschakeld door de bediening van de schakelaar van het gereedschap.

1. Breng de draadloos-eenheid aan in het gereedschap.
2. Sluit de slang van de stofzuiger aan op het gereedschap.

► Fig.39

3. Zet de standbyschakelaar op de stofzuiger op "AUTO".

► Fig.40: 1. Standbyschakelaar

4. Druk kort op de knop voor draadloos inschakelen op het gereedschap. De lamp van draadloos inschakelen knippert blauw.

► Fig.41: 1. Knop voor draadloos inschakelen 2. Lamp van draadloos inschakelen

5. Knijp de trekschakelaar van het gereedschap in. Controleer of de stofzuiger wordt ingeschakeld wanneer de trekkerschakelaar wordt ingeknepen.

Om het draadloos inschakelen van de stofzuiger te stoppen, drukt u op de knop voor draadloos inschakelen op het gereedschap.

OPMERKING: De lamp van draadloos inschakelen op het gereedschap stopt met blauw knipperen wanneer gedurende 2 uur geen bediening plaatsvindt. In dat geval zet u de standbyschakelaar van de stofzuiger op "AUTO" en drukt u nogmaals op de knop voor draadloos inschakelen op het gereedschap.

OPMERKING: De stofzuiger wordt met een vertraging in- en uitgeschakeld. Er treedt een tijdsvertraging op wanneer de stofzuiger de bediening van de schakelaar van het gereedschap detecteert.










OPMERKING: Het zendbereik van de draadloos-eenheid kan variëren afhankelijk van de locatie en omgevingsomstandigheden.

OPMERKING: Als twee of meer gereedschappen zijn geregistreerd in één stofzuiger, kan de stofzuiger worden ingeschakeld ondanks dat u niet de trekkerschakelaar inknijpt omdat een andere gebruiker de functie voor draadloos inschakelen gebruikt.

Beschrijving van de status van de lamp van draadloos inschakelen

► Fig.42: 1. Lamp van draadloos inschakelen

De lamp van draadloos inschakelen toont de status van de functie voor draadloos inschakelen. Raadpleeg de onderstaande tabel voor de betekenis van de status van de lamp.

| Status | Lamp van draadloos inschakelen | | | Duur | Beschrijving |
|---|--------------------------------|--|--|-------------------------------|---|
| | Kleur |  Brandt |  Knippert | | |
| Standby | Blauw |  | | 2 uur | Het draadloos inschakelen van de stofzuiger is beschikbaar. De lamp wordt automatisch uitgeschakeld wanneer gedurende 2 uur geen bediening plaatsvindt. |
| | |  | | Bij ingeschakeld gereedschap. | Het draadloos inschakelen van de stofzuiger is beschikbaar en het gereedschap is ingeschakeld. |
| Registratie van het gereedschap | Groen |  | | 20 seconden | Klaar voor registratie van het gereedschap. Wachten op registratie door de stofzuiger. |
| | |  | | 2 seconden | De registratie van het gereedschap is voltooid. De lamp van draadloos inschakelen knippert blauw. |
| Registratie van het gereedschap annuleren | Rood |  | | 20 seconden | Klaar om de registratie van het gereedschap te annuleren. Wachten op annuleren door de stofzuiger. |
| | |  | | 2 seconden | Het annuleren van de registratie van het gereedschap is voltooid. De lamp van draadloos inschakelen knippert blauw. |
| Overig | Rood |  | | 3 seconden | De draadloos-eenheid wordt van stroom voorzien en de functie voor draadloos inschakelen start nu op. |
| | Uit | - | | - | Het draadloos inschakelen van de stofzuiger is gestopt. |

Registratie van het gereedschap op de stofzuiger annuleren

Voer de volgende procedure uit om de registratie van het gereedschap in de stofzuiger te annuleren.

1. Breng de accu's aan in de stofzuiger en het gereedschap.
2. Zet de standbyschakelaar op de stofzuiger op "AUTO".

► Fig.43: 1. Standbyschakelaar

3. Houd de knop voor draadloos inschakelen op de stofzuiger gedurende 6 seconden ingedrukt. De lamp van draadloos inschakelen knippert groen en brandt daarna rood. Houd daarna op dezelfde manier de knop voor draadloos inschakelen op het gereedschap ingedrukt.

► Fig.44: 1. Knop voor draadloos inschakelen
2. Lamp van draadloos inschakelen

Als het annuleren met succes is uitgevoerd, zullen de lampen van draadloos inschakelen gedurende 2 seconden rood branden, waarna ze blauw gaan knipperen.

OPMERKING: De lampen van draadloos inschakelen stoppen na 20 seconden met rood knipperen. Druk op de knop voor draadloos inschakelen op het gereedschap terwijl de lamp van draadloos inschakelen op de stofzuiger knippert. Als de lamp van draadloos inschakelen niet rood knippert, drukt u kort op de knop voor draadloos inschakelen en houdt u deze weer ingedrukt.

Storingzoeken van de functie voor draadloos inschakelen

Alvorens u verzoekt om reparatie, kunt u zelf als volgt het probleem opsporen en oplossen. Als u met een probleem kampt dat in deze handleiding niet wordt beschreven, probeer dan niet het gereedschap te demonteren. Laat reparaties over aan een erkend Makita-servicecentrum, uitsluitend met gebruik van originele Makita-ervangingsonderdelen.

| Probleemomschrijving | Waarschijnlijke oorzaak (storing) | Oplossing |
|--|---|--|
| De lamp van draadloos inschakelen brandt/knippert niet. | De draadloos-eenheid is niet aangebracht in het gereedschap. De draadloos-eenheid is verkeerd aangebracht in het gereedschap. | Breng de draadloos-eenheid op de juiste wijze aan. |
| | De aansluitingen van de draadloos-eenheid en/of de gleuf zijn vuil. | Veeg het stof en vuil op de aansluitingen van de draadloos-eenheid voorzichtig af en reinig de gleuf. |
| | Er is niet op de knop voor draadloos inschakelen op het gereedschap gedrukt. | Druk kort op de knop voor draadloos inschakelen op het gereedschap. |
| | De standbyschakelaar op de stofzuiger is niet op "AUTO" gezet. | Zet de standbyschakelaar op de stofzuiger op "AUTO". |
| | Geen voeding. | Voorzie het gereedschap en de stofzuiger van voeding. |
| De registratie van het gereedschap/het annuleren van de registratie van het gereedschap kan niet met succes worden voltooid. | De draadloos-eenheid is niet aangebracht in het gereedschap. De draadloos-eenheid is verkeerd aangebracht in het gereedschap. | Breng de draadloos-eenheid op de juiste wijze aan. |
| | De aansluitingen van de draadloos-eenheid en/of de gleuf zijn vuil. | Veeg het stof en vuil op de aansluitingen van de draadloos-eenheid voorzichtig af en reinig de gleuf. |
| | De standbyschakelaar op de stofzuiger is niet op "AUTO" gezet. | Zet de standbyschakelaar op de stofzuiger op "AUTO". |
| | Geen voeding. | Voorzie het gereedschap en de stofzuiger van voeding. |
| | Onjuiste bediening | Druk kort op de knop voor draadloos inschakelen en voer de procedures voor de registratie/het annuleren van de registratie opnieuw uit. |
| | Het gereedschap en de stofzuiger staan te ver uit elkaar (buiten het zendbereik). | Plaats het gereedschap en de stofzuiger dicht bij elkaar. Het maximale zendbereik is ongeveer 10 meter, echter, dit kan verschillen afhankelijk van de omstandigheden. |
| | Alvorens de registratie/het annuleren van de registratie te voltooien: - is de trekschakelaar van het gereedschap ingeknepen, of - is de aan-uitknop van de stofzuiger bediend. | Druk kort op de knop voor draadloos inschakelen en voer de procedures voor de registratie/het annuleren van de registratie opnieuw uit. |
| | De procedure voor de registratie van het gereedschap op het gereedschap of de stofzuiger is niet voltooid. | Voer de procedure voor de registratie van het gereedschap tegelijkertijd uit op het gereedschap en de stofzuiger. |
| Radiostoring door andere apparaten die sterke radiogolven genereren. | Houd het gereedschap en de stofzuiger uit de buurt van apparaten zoals Wi-Fi-apparaten en magnetrons. | |

| Probleemomschrijving | Waarschijnlijke oorzaak (storing) | Oplossing |
|--|--|---|
| De stofzuiger wordt niet in- en uitgeschakeld tegelijk met de bediening van de schakelaar van het gereedschap. | De draadloos-eenheid is niet aangebracht in het gereedschap. De draadloos-eenheid is verkeerd aangebracht in het gereedschap. | Breng de draadloos-eenheid op de juiste wijze aan. |
| | De aansluitingen van de draadloos-eenheid en/of de gleuf zijn vuil. | Veeg het stof en vuil op de aansluitingen van de draadloos-eenheid voorzichtig af en reinig de gleuf. |
| | Er is niet op de knop voor draadloos inschakelen op het gereedschap gedrukt. | Druk kort op de knop voor draadloos inschakelen en controleer of de lamp van draadloos inschakelen blauw knippert. |
| | De standbyschakelaar op de stofzuiger is niet op "AUTO" gezet. | Zet de standbyschakelaar op de stofzuiger op "AUTO". |
| | Meer dan 10 gereedschappen zijn geregistreerd in de stofzuiger. | Voer de registratie van het gereedschap opnieuw uit. Als meer dan 10 gereedschappen zijn geregistreerd in de stofzuiger, wordt de eerste registratie van een gereedschap automatisch gewist. |
| | De stofzuiger heeft alle registraties van de gereedschappen gewist. | Voer de registratie van het gereedschap opnieuw uit. |
| | Geen voeding. | Voorzie het gereedschap en de stofzuiger van voeding. |
| | Het gereedschap en de stofzuiger staan te ver uit elkaar (buiten het zendbereik). | Plaats het gereedschap en de stofzuiger dicht bij elkaar. Het maximale zendbereik is ongeveer 10 meter, echter, dit kan verschillen afhankelijk van de omstandigheden. |
| | Radiostoring door andere apparaten die sterke radiogolven genereren. | Houd het gereedschap en de stofzuiger uit de buurt van apparaten zoals Wi-Fi-apparaten en magnetrons. |
| De stofzuiger wordt ingeschakeld terwijl de trekverschakelaar van het gereedschap niet wordt ingeknepen. | Andere gebruikers gebruiken op hun gereedschap de functie voor draadloos inschakelen van de stofzuiger. | Schakel de knop voor draadloos inschakelen van de andere gereedschappen uit of annuleer de registratie van de andere gereedschappen. |

ONDERHOUD

⚠ LET OP: Zorg altijd dat het gereedschap is uitgeschakeld en de accu ervan is verwijderd alvorens te beginnen met onderhoud of inspectie.

⚠ LET OP: Reinig de beschermkap om er zeker van te zijn dat er geen opgehoopt zaagsel is dat de werking van de beschermkap kan hinderen. Een vuile beschermkap kan de goede werking hinderen, wat kan leiden tot ernstig persoonlijk letsel. De meest effectieve manier om dit reinigen uit te voeren is met perslucht. **Wanneer het stof uit de beschermkap wordt geblazen, dient u de geschikte oog- en ademhalingsbescherming te gebruiken.**

KENNISGEVING: Gebruik nooit benzine, wasbenzine, thinner, alcohol en dergelijke. Hierdoor kunnen verkleuring, vervormingen en barsten worden veroorzaakt.

De nauwkeurigheid van de 0°-zaagsnede en 45°-zaagsnede afstellen

KENNISGEVING: Gebruik de hendels voor een schuine hoek van -1° niet wanneer u de nauwkeurigheid van de 0°-zaagsnede afstelt.

KENNISGEVING: Gebruik de hendel voor een schuine hoek van 48° niet wanneer u de nauwkeurigheid van de 45°-zaagsnede afstelt.

Deze afstellingen zijn al in de fabriek uitgevoerd. Maar als ze verlopen zijn, kunt u ze afstellen aan de hand van de volgende procedures.

1. Draai de klembouten aan de voorkant en achterkant van het gereedschap iets los.
2. Stel de hoek van het zaagblad af.
► **Fig.45:** 1. Geodriehoek

Om de nauwkeurigheid van de 0°-zaagsnede af te stellen, stelt u de zool haaks af op het zaagblad met behulp van een geodriehoek, winkelhaak, enz., door de stelbout te draaien.

- **Fig.46:** 1. Stelbout voor 0°-zaagsnede

Om de nauwkeurigheid van de 45°-zaagsnede af te stellen, stelt u de zool af op 45° ten opzichte van het zaagblad met behulp van een geodriehoek door de stelbout te draaien.

- **Fig.47:** 1. Stelbout voor 45°-zaagsnede

3. Draai de klembouten vast en zaag een testsnede.

Om de VEILIGHEID en BETROUWBAARHEID van het gereedschap te handhaven, dienen alle reparaties, onderhoud of afstellingen te worden uitgevoerd bij een erkend Makita-servicecentrum of de Makita-fabriek, en altijd met gebruik van Makita-ervangingsonderdelen.

OPTIONELE ACCESSOIRES

⚠ LET OP: Deze accessoires of hulpstukken worden aanbevolen voor gebruik met het Makita gereedschap dat in deze gebruiksaanwijzing is beschreven. Bij gebruik van andere accessoires of hulpstukken bestaat het gevaar van persoonlijke letsel. Gebruik de accessoires of hulpstukken uitsluitend voor hun bestemde doel.

Wenst u meer bijzonderheden over deze accessoires, neem dan contact op met het plaatselijke Makita-servicecentrum.

- Cirkelzaagblad
- Subzool
- Inbussleutel
- Geleiderail
- Verstekschaalverdeling
- Klem
- Vel
- Rubber vel
- Positieveel
- Draadloos-eenheid (voor DSP601)
- Originele Makita accu's en acculaders

OPMERKING: Sommige items op de lijst kunnen zijn inbegrepen in de doos van het gereedschap als standaard toebehoren. Deze kunnen van land tot land verschillen.

ESPECIFICACIONES

| Modelo: | DSP600 | DSP601 |
|-----------------------------|--|--------|
| Diámetro del disco | 165 mm | |
| Profundidad de corte máxima | a 0° | 56 mm |
| | a bisel de 45° | 40 mm |
| | a bisel de 48° | 38 mm |
| Velocidad en vacío | 2.500 - 6.300 min ⁻¹ | |
| Longitud total | 346 mm | |
| Tensión nominal | CC 36 V | |
| Cartucho de batería | BL1815N, BL1820, BL1820B, BL1830, BL1830B, BL1840, BL1840B, BL1850, BL1850B, BL1860B | |
| Cargador | DC18RC, DC18RD, DC18SD, DC18SE, DC18SF | |
| Peso neto | 4,4 - 5,1 kg | |

- Debido a nuestro continuado programa de investigación y desarrollo, las especificaciones aquí dadas están sujetas a cambios sin previo aviso.
- Las especificaciones y el cartucho de batería pueden diferir de país a país.
- El peso puede variar dependiendo del accesorio(s), incluyendo el cartucho de batería. La combinación menos pesada y la más pesada, de acuerdo con el procedimiento EPTA 01/2014, se muestran en la tabla.

Uso previsto

La herramienta ha sido prevista especialmente para realizar cortes por inmersión. La herramienta también ha sido prevista para cortes al hilo y transversales en madera. Si equipa la herramienta con el disco de sierra circular apropiado, la herramienta se puede utilizar para serrar aluminio, plástico, plásticos que contienen minerales, y materiales similares.

Ruido

El nivel de ruido A-ponderado típico determinado de acuerdo con la norma EN62841:

Modelo DSP600

Nivel de presión sonora (L_{pA}): 92 dB (A)
 Nivel de potencia sonora (L_{WA}): 103 dB (A)
 Error (K): 3 dB (A)

Modelo DSP601

Nivel de presión sonora (L_{pA}): 92 dB (A)
 Nivel de potencia sonora (L_{WA}): 103 dB (A)
 Error (K): 3 dB (A)

⚠ ADVERTENCIA: Póngase protectores para oídos.

Vibración

El valor total de la vibración (suma de vectores triaxiales) determinado de acuerdo con la norma EN62841:

Modelo DSP600

Modo de trabajo: corte de madera
 Emisión de vibración ($a_{h,W}$): 2,5 m/s² o menos
 Error (K): 1,5 m/s²
 Modo de trabajo: corte de metal
 Emisión de vibración ($a_{h,M}$): 2,5 m/s² o menos
 Error (K): 1,5 m/s²

Modelo DSP601

Modo de trabajo: corte de madera
 Emisión de vibración ($a_{h,W}$): 2,5 m/s² o menos
 Error (K): 1,5 m/s²
 Modo de trabajo: corte de metal
 Emisión de vibración ($a_{h,M}$): 2,5 m/s² o menos
 Error (K): 1,5 m/s²

NOTA: El valor de emisión de vibración declarado ha sido medido de acuerdo con el método de prueba estándar y se puede utilizar para comparar una herramienta con otra.

NOTA: El valor de emisión de vibración declarado también se puede utilizar en una valoración preliminar de exposición.

⚠ ADVERTENCIA: La emisión de vibración durante la utilización real de la herramienta eléctrica puede variar del valor de emisión declarado dependiendo de las formas en las que la herramienta sea utilizada.

⚠ ADVERTENCIA: Asegúrese de identificar medidas de seguridad para proteger al operario que estén basadas en una estimación de la exposición en las condiciones reales de utilización (teniendo en cuenta todas las partes del ciclo operativo como las veces cuando la herramienta está apagada y cuando está funcionando en vacío además del tiempo de gatillo).

Declaración CE de conformidad

Para países europeos solamente

La declaración CE de conformidad está incluida como Anexo A de esta manual de instrucciones.

ADVERTENCIAS DE SEGURIDAD

Advertencias de seguridad para herramientas eléctricas en general

⚠️ ADVERTENCIA: Lea todas las advertencias de seguridad, instrucciones, ilustraciones y especificaciones provistas con esta herramienta eléctrica. Si no sigue todas las instrucciones indicadas abajo podrá resultar en una descarga eléctrica, un incendio y/o heridas graves.

Guarde todas las advertencias e instrucciones para futuras referencias.

El término "herramienta eléctrica" en las advertencias se refiere a su herramienta eléctrica de funcionamiento con conexión a la red eléctrica (con cable) o herramienta eléctrica de funcionamiento a batería (sin cable).

Advertencias de seguridad para la sierra circular inalámbrica

Procedimientos de corte

1. **⚠️ PELIGRO:** Mantenga las manos alejadas del área de corte y del disco. Mantenga su segunda mano en el mango auxiliar, o en el alojamiento del motor. Si ambas manos están sujetando la sierra, no podrán ser cortadas por el disco.
 2. **No se ponga debajo de pieza de trabajo.** Debajo de la pieza de trabajo el protector no le puede proteger del disco.
 3. **Ajuste la profundidad de corte al grosor de la pieza de trabajo.** Por debajo de la pieza de trabajo deberá verse menos de un diente entero de los dientes del disco.
 4. **No sujete nunca con las manos o sobre su pierna la pieza de trabajo durante el corte. Sujete la pieza de trabajo en una plataforma estable.** Es importante apoyar la pieza de trabajo debidamente para minimizar la exposición del cuerpo, el estancamiento del disco, o la pérdida de control.
- Fig.1
5. **Cuando realice una operación en la que el implemento de corte pueda entrar en contacto con cableado oculto o con su propio cable, sujete la herramienta eléctrica por las superficies de asimiento aisladas.** El contacto con un cable con corriente también hará que la corriente circule por las partes metálicas expuestas de la herramienta eléctrica y podrá soltar una descarga eléctrica al operario.
 6. **Cuando haga cortes al hilo, utilice siempre una guía lateral o guía de borde recto.** Esto mejora la precisión del corte y reduce la posibilidad de que el disco se estanque.

7. **Utilice siempre discos con agujero para eje del tamaño y forma correctos (diamante en oposición a redondo).** Los discos que no correspondan con el mecanismo de montaje de la sierra se descentrarán, ocasionando la pérdida de control.
8. **No utilice nunca arandelas o perno de disco dañados o incorrectos.** Las arandelas y el perno de disco han sido diseñados especialmente para su sierra, y con ellos se logran un rendimiento y seguridad de operación óptimos.

Causas de los retrocesos bruscos y advertencias relacionadas

- el retroceso brusco es una reacción repentina al estancamiento, atasco o desalineación del disco, que ocasiona que la sierra descontrolada se levante y salga de la pieza de trabajo hacia el operario;
- cuando el disco queda aprisionado o atascado firmemente debido al cierre de la hendidura, el disco se inmoviliza y la reacción del motor empuja la sierra bruscamente hacia atrás contra el operario;
- si el disco se retuerce o desalinea en el corte, los dientes del borde trasero del disco pueden morder la superficie superior de la madera haciendo que el disco se salga de la hendidura y salte hacia atrás contra el operario.

Los retrocesos bruscos se deben a un mal uso de la sierra y/o a procedimientos o condiciones de trabajo incorrectos y pueden evitarse tomando las precauciones indicadas abajo.

1. **Sujete la sierra firmemente con ambas manos y posicione los brazos de forma que pueda resistir las fuerzas de un retroceso brusco. Posicione su cuerpo a uno de los costados del disco, pero no en línea con el disco.** Los retrocesos bruscos pueden hacer que la sierra salte hacia atrás, pero las fuerzas de los retrocesos bruscos las puede controlar el operario, si toma las precauciones apropiadas.
2. **Cuando note que el disco se estanca, o cuando quiera interrumpir un corte por cualquier razón, suelte el gatillo y mantenga la sierra inmóvil en el material hasta que el disco se pare completamente. No intente nunca extraer el disco de la pieza de trabajo o tirar de la sierra hacia atrás mientras el disco está moviéndose porque podrá ocasionar un retroceso brusco.** Investigue y tome medidas correctivas para eliminar la causa del estancamiento del disco.
3. **Cuando vuelva a poner en marcha la sierra en la pieza de trabajo, centre el disco en la hendidura de forma que los dientes del mismo no estén enganchados en el material.** Si un disco se estanca, podrá saltar o retroceder bruscamente desde la pieza de trabajo al volver a poner en marcha la sierra.
4. **Apoye los paneles grandes para minimizar el riesgo de que el disco se estanque y retroceda bruscamente.** Los paneles grandes tienden a combarse con su propio peso. Deberá poner apoyos debajo del panel a ambos lados, cerca de la línea de corte y cerca del borde del panel.

► Fig.2

► Fig.3

5. **No utilice discos mellados o dañados.** Los discos desafilados o mal ajustados producen una hendidura estrecha que ocasiona excesiva fricción, estancamiento del disco y retrocesos bruscos.
6. **Las palancas de bloqueo de los ajustes de profundidad y de bisel del disco deben estar apretadas y sujetadas antes de realizar el corte.** Si el ajuste del disco cambia durante el corte, podrá ocasionar un estancamiento y retroceso brusco.
7. **Extreme las precauciones cuando sierre en paredes existentes u otras áreas ciegas.** La parte sobresaliente del disco podrá cortar objetos que pueden ocasionar un retroceso brusco.
8. **Sujete SIEMPRE la herramienta firmemente con ambas manos. No ponga NUNCA sus manos, piernas o cualquier otra parte de su cuerpo debajo de la base de la herramienta o detrás de la sierra, especialmente cuando haga cortes transversales.** Si se produce un retroceso brusco, la sierra podrá saltar fácilmente hacia atrás sobre su mano, causándole graves heridas personales.

► Fig.4

9. **No fuerce nunca la sierra. Empuje la sierra hacia delante a una velocidad a la que el disco corte sin frenarse.** Si fuerza la sierra podrá ocasionar cortes irregulares, pérdida de precisión, y posibles retrocesos bruscos.

Función de protector

1. **Compruebe el protector antes de cada uso para confirmar que se cierra debidamente. No utilice la sierra si el protector no se mueve libremente y no circunda el disco instantáneamente. No sujete o ate nunca el protector de forma que el disco quede expuesto.** Si deja caer accidentalmente la sierra, el protector podrá doblarse. Compruebe para asegurarse de que el protector se mueve libremente y que no toca el disco o cualquier otra parte, en todos los ángulos y profundidades de corte.
2. **Compruebe la operación y condición del resorte de retorno del protector. Si el protector y el resorte no funcionan debidamente, deberán ser reparados antes de la utilización.** El protector podrá funcionar con lentitud debido a partes dañadas, a sedimentos pegajosos, o a una acumulación de residuos.
3. **Asegúrese de que la placa base de la sierra no se va a desplazar mientras realiza un “corte por inmersión”.** Si el disco se desplaza lateralmente ocasionará estancamiento y posiblemente un retroceso brusco.
4. **Antes de dejar la sierra en el banco de trabajo o en el suelo, observe siempre que el protector está cubriendo el disco.** Un disco desprotegido, girando por inercia, hará que la sierra se desplace hacia atrás, cortando todo lo que encuentre a su paso. Tenga presente el tiempo que el disco tarda en pararse después de soltar el interruptor.

Advertencias de seguridad adicionales

1. **Preste precaución adicional cuando corte madera húmeda, madera tratada a presión, o madera que contenga nudos.** Mantenga uniforme el avance de la herramienta sin reducir la velocidad del disco para evitar que los dientes del disco se recalienten y, si corta plásticos, para evitar que el plástico se derrita.

2. **No intente retirar material cortado cuando el disco esté moviéndose. Espere hasta que el disco se pare antes de agarrar el material cortado.** Los discos siguen girando por inercia después de apagar la herramienta.
3. **Evite cortar clavos. Inspeccione la madera y quite todos los clavos antes de cortar.**
4. **Ponga la porción más ancha de la base de la sierra en la parte de la pieza de trabajo que esté sólidamente apoyada, no en la sección que caerá cuando se haga el corte. Si la pieza de trabajo es corta o pequeña, amordácela. ¡NO INTENTE SUJETAR PIEZAS PEQUEÑAS CON LA MANO!**

► Fig.5

5. **Antes de dejar la herramienta después de completar un corte, asegúrese de que el protector se ha cerrado y que el disco se ha parado completamente.**
6. **No intente nunca serrar con la sierra circular sujeta al revés en un tornillo de banco. Es sumamente peligroso y puede ocasionar graves accidentes.**

► Fig.6

7. **Algunos materiales contienen sustancias químicas que pueden ser tóxicas. Tenga precaución para evitar la inhalación de polvo y el contacto con la piel. Siga los datos de seguridad del abastecedor del material.**
8. **No pare los discos haciendo presión lateral en el disco.**
9. **No utilice ningún disco abrasivo.**
10. **Utilice solamente el disco con el diámetro que hay marcado en la herramienta o especificado en el manual.** La utilización de un disco dimensionado incorrectamente puede afectar a la protección del disco o a la operación del protector lo que puede resultar en heridas personales graves.
11. **Mantenga el disco afilado y limpio.** La cola y la resina de madera endurecidas en los discos frenan la sierra y aumentan la posibilidad de que se produzcan retrocesos bruscos. Mantenga el disco limpio desmontándolo primero de la herramienta, y limpiándolo después con un producto para quitar colas y resina, agua caliente o queroseno. No utilice nunca gasolina.
12. **Póngase máscara y protección para los oídos cuando utilice la herramienta.**
13. **Utilice siempre el disco que ha sido previsto para cortar el material que usted va a cortar.**
14. **Utilice solamente discos que tengan marcada una velocidad igual o mayor que la velocidad marcada en la herramienta.**
15. **(Para países europeos solamente) Utilice siempre el disco que cumpla con EN847-1.**

GUARDE ESTAS INSTRUCCIONES.

⚠ADVERTENCIA: NO deje que la comodidad o familiaridad con el producto (a base de utilizarlo repetidamente) sustituya la estricta observancia de las normas de seguridad para el producto en cuestión. El MAL USO o el no seguir las normas de seguridad establecidas en este manual de instrucciones podrá ocasionar graves heridas personales.

Instrucciones de seguridad importantes para el cartucho de batería

1. Antes de utilizar el cartucho de batería, lea todas las instrucciones e indicaciones de precaución sobre (1) el cargador de baterías, (2) la batería, y (3) el producto con el que se utiliza la batería.
2. No desarme el cartucho de batería.
3. Si el tiempo de uso se acorta demasiado, cese la operación inmediatamente. Podría resultar en un riesgo de recalentamiento, posibles quemaduras e incluso una explosión.
4. Si entra electrolito en sus ojos, aclárelos con agua limpia y acuda a un médico inmediatamente. Existe el riesgo de poder perder la vista.
5. No cortocircuite el cartucho de batería:
 - (1) No toque los terminales con ningún material conductor.
 - (2) Evite guardar el cartucho de batería en un cajón junto con otros objetos metálicos, como clavos, monedas, etc.
 - (3) No exponga el cartucho de batería al agua ni a la lluvia.

Un cortocircuito en la batería puede producir una gran circulación de corriente, un recalentamiento, posibles quemaduras e incluso una rotura de la misma.

6. No guarde la herramienta y el cartucho de batería en lugares donde la temperatura pueda alcanzar o exceder los 50 °C.
7. Nunca incinere el cartucho de batería incluso en el caso de que esté dañado seriamente o ya no sirva en absoluto. El cartucho de batería puede explotar si se tira al fuego.
8. Tenga cuidado de no dejar caer ni golpear el cartucho de batería.
9. No utilice una batería dañada.
10. Las baterías de litio-ion contenidas están sujetas a los requisitos de la Legislación para Materiales Peligrosos.

Para transportes comerciales, p.ej., por terceras personas y agentes de transportes, se deberán observar requisitos especiales para el empaquetado y etiquetado.

Para la preparación del artículo que se va a enviar, se requiere consultar con un experto en materiales peligrosos. Por favor, observe también la posibilidad de reglamentos nacionales más detallados. Cubra con cinta aislante o enmascare los contactos expuestos y empaquete la batería de tal manera que no se pueda mover alrededor dentro del embalaje.

11. Siga los reglamentos locales referentes al desecho de la batería.

GUARDE ESTAS INSTRUCCIONES.

⚠PRECAUCIÓN: Utilice solamente baterías genuinas de Makita. La utilización de baterías no genuinas de Makita, o baterías que han sido alteradas, puede resultar en una explosión de la batería ocasionando incendios, heridas personales y daños. También anulará la garantía de Makita para la herramienta y el cargador de Makita.

Consejos para alargar al máximo la vida de servicio de la batería

1. Cargue el cartucho de batería antes de que se descargue completamente. Detenga siempre la operación y cargue el cartucho de batería cuando note menos potencia en la herramienta.
2. No cargue nunca un cartucho de batería que esté completamente cargado. La sobrecarga acortará la vida de servicio de la batería.
3. Cargue el cartucho de batería a temperatura ambiente de 10 °C - 40 °C. Si un cartucho de batería está caliente, déjelo enfriar antes de cargarlo.
4. Cargue el cartucho de batería si no lo utiliza durante un periodo de tiempo prolongado (más de seis meses).

Instrucciones de seguridad importantes para la unidad inalámbrica

1. No desmonte o manipule la unidad inalámbrica.
2. Mantenga la unidad inalámbrica alejada de niños pequeños. Si se ingiere accidentalmente, solicite atención médica inmediatamente.
3. Utilice la unidad inalámbrica solamente con herramientas Makita.
4. No exponga la unidad inalámbrica a la lluvia o a condiciones que se pueda mojar.
5. No utilice la unidad inalámbrica en lugares donde la temperatura exceda los 50°C.
6. No utilice la unidad inalámbrica en lugares donde se encuentren cerca instrumentos médicos, tales como marcapasos cardiacos.
7. No utilice la unidad inalámbrica en lugares donde se encuentren cerca dispositivos automatizados. Si la utiliza, los dispositivos automatizados podrán desarrollar un mal funcionamiento o error.
8. La unidad inalámbrica puede producir campos electromagnéticos (CEM), pero no son perjudiciales para el usuario.
9. La unidad inalámbrica es un instrumento de precisión. Tenga cuidado de no dejar caer o golpear la unidad inalámbrica.

10. Evite tocar el terminal de la unidad inalámbrica con las manos desnudas o materiales metálicos.
11. Retire siempre la batería de la herramienta cuando vaya a instalar la unidad inalámbrica.
12. Cuando abra la tapa de la ranura, evite los lugares donde polvo y agua puedan entrar en la ranura. Mantenga siempre limpia la abertura de la ranura.
13. Inserte siempre la unidad inalámbrica en la dirección correcta.
14. No presione el botón de activación inalámbrica en la unidad inalámbrica con fuerza ni presione el botón con un objeto de borde cortante.
15. Cierre siempre la tapa de la ranura cuando esté realizando operaciones.
16. No retire la unidad inalámbrica de la ranura mientras se esté suministrando alimentación a la herramienta. Si lo hace podrá ocasionar un mal funcionamiento de la unidad inalámbrica.
17. No retire la etiqueta adhesiva de la unidad inalámbrica.
18. No ponga ninguna etiqueta adhesiva en la unidad inalámbrica.
19. No deje la unidad inalámbrica en un lugar donde se pueda generar electricidad estática o ruido eléctrico.
20. No deje la unidad inalámbrica en un lugar expuesto a mucho calor, tal como dentro de un automóvil aparcado al sol.
21. No deje la unidad inalámbrica en un lugar polvoriento o polvoroso o en un lugar donde se pueda generar gas corrosivo.
22. Un cambio repentino de la temperatura puede cubrir de rocío la unidad inalámbrica. No utilice la unidad inalámbrica hasta que el rocío se haya secado completamente.
23. Cuando limpie la unidad inalámbrica, frote con cuidado con un paño suave y seco. No utilice benzina, disolvente, grasa conductora o algo similar.
24. Cuando almacene la unidad inalámbrica, manténgala en la funda suministrada o en un contenedor libre de electricidad estática.
25. No inserte ningún dispositivo excepto la unidad inalámbrica de Makita en la ranura de la herramienta.
26. No utilice la herramienta con la tapa de la ranura dañada. Si entra en la ranura agua, polvo o suciedad puede ocasionar un mal funcionamiento.
27. No tire de la tapa de la ranura ni la retuerza más de lo necesario. Vuelva a colocar la tapa si se desprende de la herramienta.
28. Reemplace la tapa de la ranura si se pierde o se daña.

GUARDE ESTAS INSTRUCCIONES.

DESCRIPCIÓN DEL FUNCIONAMIENTO

⚠PRECAUCIÓN: Asegúrese siempre de que la herramienta está apagada y el cartucho de batería retirado antes de realizar cualquier ajuste o comprobación en la herramienta.

Instalación o extracción del cartucho de batería

⚠PRECAUCIÓN: Apague siempre la herramienta antes de instalar o retirar el cartucho de batería.

⚠PRECAUCIÓN: Sujete la herramienta y el cartucho de batería firmemente cuando instale o retire el cartucho de batería. Si no sujeta la herramienta y el cartucho de batería firmemente podrán caerse de las manos y resultar en daños a la herramienta y al cartucho de batería y heridas personales.

► Fig.7: 1. Indicador rojo 2. Botón 3. Cartucho de batería

Para retirar el cartucho de batería, deslícelo de la herramienta mientras desliza el botón de la parte frontal del cartucho.

Para instalar el cartucho de batería, alinee la lengüeta del cartucho de batería con la ranura de la carcasa y deslícelo hasta que encaje en su sitio. Insértelo a tope hasta que se bloquee en su sitio produciendo un pequeño chasquido. Si puede ver el indicador rojo en el lado superior del botón, no estará bloqueado completamente.

⚠PRECAUCIÓN: Instale siempre el cartucho de batería completamente hasta que no pueda verse el indicador rojo. En caso contrario, podrá caerse accidentalmente de la herramienta y ocasionarle heridas a usted o a alguien que esté cerca de usted.

⚠PRECAUCIÓN: No instale el cartucho de batería empleando fuerza. Si el cartucho no se desliza al interior fácilmente, será porque no está siendo insertado correctamente.

NOTA: La herramienta no funciona con un cartucho de batería solamente.

Sistema de protección de la herramienta / batería

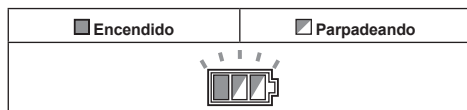
La herramienta está equipada con un sistema de protección de la herramienta/batería. Este sistema corta automáticamente la alimentación del motor para alargar la vida útil de la herramienta y la batería. La herramienta se detendrá automáticamente durante la operación si la herramienta o la batería es puesta en una de las condiciones siguientes. En algunas condiciones, los indicadores se iluminan.

Protección contra sobrecarga

Cuando la herramienta sea operada de una manera que le haga absorber una corriente anormalmente alta, la herramienta se detendrá automáticamente. En esta situación, apague la herramienta y detenga la tarea que ocasiona la sobrecarga de la herramienta. Después encienda la herramienta para volver a empezar.

Protección contra el recalentamiento

Cuando la herramienta se recalienta, se detiene automáticamente, y el indicador de batería parpadea unos 60 segundos. En esta situación, deje que la herramienta se enfríe antes de encenderla otra vez.



Protección contra descarga excesiva

Cuando la capacidad de la batería sea baja, la herramienta se detendrá automáticamente. Si el producto no funciona aun cuando los interruptores sean accionados, retire las baterías de la herramienta y cárguelas.

Modo de indicar la capacidad de batería restante

► **Fig.8:** 1. Indicador de batería (para la batería superior) 2. Botón de comprobación 3. Indicador de batería (para la batería inferior)

Presione el botón de comprobación para indicar las capacidades de batería restantes. Los indicadores de batería corresponden a cada batería.

| Estado del indicador de batería | | | Capacidad de batería restante |
|------------------------------------|----------------------------------|---|-------------------------------|
| <input type="checkbox"/> Encendido | <input type="checkbox"/> Apagado | <input checked="" type="checkbox"/> Parpadeando | |
| | | | 50% a 100% |
| | | | 20% a 50% |
| | | | 0% a 20% |
| | | | Cargue la batería |

Modo de indicar la capacidad de batería restante

Solamente para cartuchos de batería con el indicador

► **Fig.9:** 1. Lámparas indicadoras 2. Botón de comprobación

Presione el botón de comprobación en el cartucho de batería para indicar la capacidad de batería restante. Las lámparas indicadoras se iluminan durante unos pocos segundos.

| Lámparas indicadoras | | | Capacidad restante |
|----------------------|---------|-------------|--|
| Iluminada | Apagada | Parpadeando | |
| | | | 75% a 100% |
| | | | 50% a 75% |
| | | | 25% a 50% |
| | | | 0% a 25% |
| | | | Cargue la batería. |
| | | | Puede que la batería no esté funcionando bien. |
| | | | |

NOTA: Dependiendo de las condiciones de utilización y de la temperatura ambiente, la indicación podrá variar ligeramente de la capacidad real.

Función de cambio automático de velocidad

NOTA: La función de cambio automático de velocidad solamente está disponible cuando el dial de ajuste de velocidad está en 5.

Esta herramienta tiene "modo de velocidad alta" y "modo de par alto".

La herramienta cambia automáticamente el modo de operación dependiendo de la carga de trabajo. Cuando la carga de trabajo sea baja, la herramienta funcionará en "modo de velocidad alta" para una operación de corte más rápida. Cuando la carga de trabajo sea alta, la herramienta funcionará en "modo de par alto" para una operación de corte potente.

► **Fig.10:** 1. Indicador de modo

El indicador de modo se ilumina en verde cuando la herramienta está funcionando en "modo de par alto". Si la herramienta es operada con demasiada carga, el indicador de modo parpadeará en verde. El indicador de modo dejará de parpadear y después se encenderá o se apagará si usted reduce la carga aplicada a la herramienta.

| Estado del indicador de modo | | | Modo de operación |
|--|-------------------------------|--|------------------------|
| <input checked="" type="radio"/> Encendido | <input type="radio"/> Apagado | <input checked="" type="radio"/> Parpadeando | |
| | | | Modo de velocidad alta |
| | | | Modo de par alto |
| | | | Alerta de sobrecarga |

Ajuste de la profundidad de corte

⚠ PRECAUCIÓN: Después de ajustar la profundidad de corte, apriete siempre el tornillo de fijación firmemente.

Afloje el tornillo de fijación de la guía de profundidad y mueva el retenedor de límite inferior del disco hasta la profundidad deseada en la placa de escala. En la profundidad de corte deseada, apriete el tornillo de fijación firmemente. Para obtener cortes más limpios y seguros, ajuste la profundidad de corte de forma que no sobresalga más de un diente del disco por debajo de la pieza de trabajo. La utilización de una profundidad de corte apropiada ayuda a reducir la posibilidad de que se produzcan peligrosos RETROCESOS BRUSCOS que pueden ocasionar heridas personales.

► **Fig.11:** 1. Retenedor de límite inferior del disco
2. Tornillo de fijación

Botón de parada rápida para profundidad de corte de 2 a 3 mm cuando se utiliza el riel guía (accesorio opcional)

Esta herramienta tiene el botón de parada rápida para profundidad de corte de 2 a 3 mm en el alojamiento de engranajes al costado de la empuñadura trasera cuando se utiliza el riel guía. Esto se utiliza cuando se quiere evitar astillar la pieza de trabajo en el corte. Haga una pasada de 2 a 3 mm en el primer corte y después haga otra pasada como corte corriente.

► **Fig.12:** 1. Botón de parada rápida

Para obtener la profundidad de corte de 2 a 3 mm, presione hacia dentro el botón de parada rápida en dirección al disco. Esto resulta útil para evitar astillar la pieza de trabajo. Para liberar la profundidad de corte de esta posición para profundidad de corte libre, simplemente tire del botón hacia atrás.

Corte en bisel

Afloje los tornillos de fijación. Ajuste el ángulo deseado inclinando según corresponda, después apriete los tornillos de fijación firmemente.

► **Fig.13:** 1. Tornillo de fijación 2. Placa de escala de bisel

► **Fig.14:** 1. Base secundaria (Accesorios opcionales)
2. Tornillo de fijación

Retenedor positivo

El retenedor positivo resulta útil para ajustar rápidamente el ángulo designado. Gire el retenedor positivo de forma que la flecha en él apunte a 22,5°. Afloje los tornillos de fijación de la parte delantera y trasera. Después incline el disco hasta que se detenga y sujete la base con los tornillos de fijación.

► **Fig.15:** 1. Retenedor positivo 2. Tornillo de fijación

Corte en bisel de 48°

Para realizar un corte en bisel de 48°, afloje los tornillos de fijación e incline completamente la palanca hacia la dirección de la flecha mostrada en la figura. Después ajuste el ángulo de bisel a 48° y apriete los tornillos de fijación.

► **Fig.16:** 1. Palanca

Corte en bisel de -1°

Para realizar un corte en bisel de -1°, afloje los tornillos de fijación y presione las palancas hacia la dirección de la flecha mostrada en la figura. Después ajuste el ángulo de bisel a -1° y apriete los tornillos de fijación.

► **Fig.17:** 1. Palanca

Guía visual

► **Fig.18:** 1. Base

La línea de corte varía dependiendo del ángulo de corte y de si usted utiliza el riel guía (accesorio opcional).

Cuando la herramienta es utilizada sin riel guía

Para cortes rectos, alinee la posición A de la parte delantera de la base con la línea de corte. Para cortes en bisel a 45°, alinee la posición B con la misma.

Cuando la herramienta es utilizada con riel guía

Tanto para cortes rectos como en bisel de 45°, alinee siempre la posición A de la parte delantera de la base con la línea de corte.

Accionamiento del interruptor

⚠ ADVERTENCIA: Antes de insertar el cartucho de batería en la herramienta, compruebe siempre para cerciorarse de que el gatillo interruptor se acciona debidamente y que vuelve a la posición "OFF" cuando lo suelta.

⚠ ADVERTENCIA: No anule NUNCA la función del botón de desbloqueo sujetándolo con cinta adhesiva o alguna otra manera. Un interruptor con un botón de desbloqueo anulado puede resultar en una puesta en marcha involuntaria y a heridas personales graves.

⚠ ADVERTENCIA: No utilice NUNCA la herramienta si se pone en marcha cuando usted simplemente aprieta el gatillo interruptor sin presionar el botón de desbloqueo. Un interruptor con necesidad de reparación puede resultar en una puesta en marcha involuntaria y a heridas personales graves. Lleve la herramienta a un centro de servicio Makita para que le hagan las reparaciones apropiadas ANTES de seguir utilizándola.

Para evitar que el gatillo pueda accionarse accidentalmente, se ha provisto un botón de desbloqueo. Para poner en marcha la herramienta, presione hacia dentro el botón de desbloqueo y apriete el gatillo interruptor. Suelte el gatillo interruptor para parar.

► **Fig.19:** 1. Gatillo interruptor 2. Botón de desbloqueo

AVISO: No apriete con fuerza el gatillo interruptor sin presionar hacia dentro el botón de desbloqueo. Podría romper el interruptor.

Dial de ajuste de velocidad

La velocidad de la herramienta se puede ajustar girando el dial de ajuste. La velocidad de giro del disco aumenta a medida que usted incrementa el número del dial de ajuste de velocidad.

► **Fig.20:** 1. Dial de ajuste de velocidad

Consulte la tabla para seleccionar la velocidad apropiada para la pieza de trabajo que va a cortar. Sin embargo, la velocidad apropiada podrá variar con el tipo o grosor de la pieza de trabajo. En general, las velocidades más altas le permitirán cortar piezas de trabajo de forma más rápida pero la vida de servicio del disco se reducirá.

| Número | Velocidad de giro del disco por minuto (min ⁻¹) |
|--------|---|
| 1 | 2.500 min ⁻¹ |
| 2 | 2.900 min ⁻¹ |
| 3 | 3.900 min ⁻¹ |
| 4 | 4.900 min ⁻¹ |
| 5 | 6.300 min ⁻¹ |

⚠️ PRECAUCIÓN: El dial de ajuste de velocidad no es para utilizar discos clasificados para baja velocidad sino para obtener una velocidad que sea apropiada para el material de la pieza de trabajo. Utilice solamente discos que estén clasificados para al menos la velocidad sin carga máxima indicada en las ESPECIFICACIONES.

AVISO: El dial de ajuste de velocidad se puede girar solamente hasta 5 y de vuelta a 1. No lo fuerce más allá de 5 o 1, o la función de ajuste de velocidad podrá dejar de funcionar.

Función electrónica

Las herramientas equipadas con función electrónica son fáciles de utilizar gracias a las características siguientes.

Protector de sobrecarga

Cuando la herramienta se sobrecarga y la corriente fluye por encima de un acabado fino, la herramienta se detiene automáticamente para proteger el motor.

Control de velocidad constante

Control de velocidad electrónico para obtener una velocidad constante. Se puede obtener un acabado fino, porque la velocidad de giro se mantiene constante incluso en condición de carga.

Característica de inicio suave

Inicio suave gracias a la supresión del golpe de arranque.

MONTAJE

⚠️ PRECAUCIÓN: Asegúrese siempre de que la herramienta está apagada y el cartucho de batería retirado antes de realizar cualquier trabajo en la herramienta.

Para guardar la llave hexagonal

Cuando no la esté utilizando, coloque la llave hexagonal como se muestra en la figura para evitar perderla.

► **Fig.21:** 1. Llave hexagonal

Desmontaje o instalación del disco de sierra circular

⚠️ PRECAUCIÓN: Asegúrese de que el disco de sierra circular está instalado con los dientes orientados hacia arriba en la parte delantera de la herramienta.

⚠️ PRECAUCIÓN: Utilice solamente la llave Makita para instalar o retirar el disco de sierra circular.

Para retirar el disco de sierra circular:

1. Presione hacia dentro el botón de desbloqueo y baje un poco la empuñadura. Gire la palanca de bloqueo y baje la empuñadura hasta que el pasador de bloqueo encaje en el agujero.

► **Fig.22:** 1. Botón de desbloqueo 2. Palanca de bloqueo 3. Pasador de bloqueo 4. Agujero para pasador de bloqueo

2. Presione el bloqueo del eje completamente de forma que el disco no pueda girar y utilice la llave hexagonal para aflojar el perno hexagonal.

► **Fig.23:** 1. Bloqueo del eje 2. Llave hexagonal 3. Apretar 4. Aflojar

3. Retire el perno hexagonal, la brida exterior, y el disco de sierra circular.

► **Fig.24:** 1. Perno hexagonal 2. Brida exterior 3. Brida interior 4. Disco de sierra circular

⚠️ ADVERTENCIA: Si retira la brida interior, asegúrese de instalarla en el mandril. Cuando instale, elija una cara correcta cuyo saliente encaje perfectamente en el agujero del disco. Montar el disco en la cara incorrecta puede resultar en una vibración peligrosa.

Para instalar el disco de sierra circular, siga el procedimiento de desmontaje a la inversa. Presione hacia dentro el botón de desbloqueo para liberar el pasador de bloqueo del agujero.

⚠️ ADVERTENCIA: ASEGÚRESE DE APRETAR EL PERNO HEXAGONAL FIRMEMENTE. Tenga cuidado de no apretar el perno empleando fuerza. Si su mano se desliza de la llave hexagonal puede ocasionar heridas personales.

Limpeza del protector de disco

Cuando vaya a cambiar el disco de sierra circular, asegúrese de limpiar también el serrín acumulado en el protector de disco como se indica en la sección de mantenimiento. Esta tarea no exige de la necesidad de comprobar la operación del protector antes de cada uso.

Conexión de un aspirador

Accesorios opcionales

Cuando quiera realizar una operación de corte limpia, conecte un aspirador Makita a su herramienta. Conecte una manguera del aspirador a la boquilla de polvo utilizando el manguito delantero de 24.

► **Fig.25:** 1. Manguera del aspirador 2. Manguito delantero de 24 3. Boquilla de polvo

OPERACIÓN

⚠️ PRECAUCIÓN: Asegúrese de mover la herramienta hacia delante en línea recta y suavemente. Forzar o torcer la herramienta resultará en recalentamiento del motor y un peligroso retroceso brusco, causando posiblemente graves heridas.

⚠️ PRECAUCIÓN: No acerque nunca ninguna parte de su cuerpo a la parte inferior de la base de la herramienta cuando haga un corte de sección, especialmente al principio. Si lo hace podrá ocasionar heridas personales graves. Debajo de la base de la herramienta el disco está expuesto.

NOTA: Cuando la temperatura del cartucho de batería sea baja, es posible que la herramienta no funcione a su plena capacidad. En este momento, por ejemplo, utilice la herramienta para un corte ligero durante un rato hasta que el cartucho de batería se caliente a una temperatura tan alta como la temperatura ambiente. Después, la herramienta funcionará a su plena capacidad.

Corte de sección (corte corriente)

► Fig.26

Sujete la herramienta firmemente. La herramienta está provista de empuñadura delantera y empuñadura trasera. Utilice ambas para sujetar mejor la herramienta. Si ambas manos están sujetando la sierra, no habrá peligro de que el disco de sierra circular las corte. Coloque la base sobre la pieza de trabajo a cortar sin el disco de sierra circular haciendo contacto alguno. Después presione hacia dentro el botón de desbloqueo y apriete el gatillo interruptor. Espere hasta que el disco de sierra circular adquiera plena velocidad. Ahora presione hacia abajo el cabezal de la sierra despacio hasta la profundidad de corte predeterminada y simplemente mueva la herramienta hacia delante sobre la superficie de la pieza de trabajo, manteniéndola plana y avanzando suavemente hasta completar el corte.

Para obtener cortes limpios, mantenga la línea de corte recta y la velocidad de avance uniforme. Si se desvía de la línea de corte prevista, no intente girar o forzar la herramienta de vuelta a la línea de corte. Esta acción podrá estancar el disco de sierra circular y ocasionar un peligroso retroceso brusco y posibles heridas graves. Suelte el interruptor, espere hasta que el disco de sierra circular se pare y después retire la herramienta. Realicee la herramienta en una nueva línea de corte, y comience el corte de nuevo. Intente evitar posturas que expongan el operario a las virutas y el serrín que sale expulsado de la sierra. Utilice protección para los ojos para ayudar a evitar heridas.

Riel guía

Accesorios opcionales

Coloque la herramienta en el extremo trasero del riel guía. Gire dos tornillos de ajuste de la base de la herramienta de forma que la herramienta se deslice suavemente sin traqueo. Sujete firmemente la empuñadura delantera y la empuñadura trasera de la herramienta. Encienda la herramienta, presione hacia abajo la herramienta hasta la profundidad de corte preestablecida y corte el protector anti-astillas a lo largo de toda la longitud de una pasada. Ahora el borde del protector anti-astillas corresponde con el borde de corte.

► Fig.27: 1. Tornillos de ajuste

Cuando haga un corte en bisel con el riel guía, utilice la palanca deslizable para evitar que la herramienta se caiga. Mueva la palanca deslizable de la base de la herramienta en la dirección de la flecha de forma que se acople en la ranura rebajada en el riel guía.

► Fig.28: 1. Palanca deslizable

Base secundaria (Regla guía)

Accesorios opcionales

Utilizando la base secundaria como regla guía, puede realizar cortes rectos extra precisos. Afloje los tornillos de fijación y deslice la base secundaria hacia fuera de la herramienta y después insértele al revés.

► Fig.29: 1. Tornillo de fijación 2. Base secundaria

Simplemente deslice la guía de la base secundaria ajustándola bien contra el costado de la pieza de trabajo y sujétela en posición con los tornillos de fijación. Con ella también se pueden hacer cortes repetidos de anchura uniforme.

► Fig.30: 1. Tornillo de fijación 2. Base secundaria

Corte por inmersión (Recorte)

⚠ ADVERTENCIA: Para evitar un retroceso brusco, asegúrese de observar las instrucciones siguientes.

► Fig.31: 1. Borde trasero de la base de la herramienta 2. Tope fijo

Cuando utilice la herramienta sin riel guía, coloque la herramienta sobre la pieza de trabajo con el borde trasero de la base de la herramienta contra un tope fijo o equivalente que sea ideado por el operario.

Cuando utilice la herramienta con riel guía, coloque la herramienta sobre el riel guía con el borde trasero de la base de la herramienta contra un tope fijo o equivalente que esté amordazado en el riel guía.

Sujete la herramienta firmemente con una mano en la empuñadura delantera y la otra en la empuñadura de la herramienta. Después presione hacia dentro el botón de desbloqueo y encienda la herramienta y espere hasta que el disco adquiera plena velocidad. Ahora presione hacia abajo el cabezal de la sierra despacio hasta la profundidad de corte predeterminada y simplemente mueva la herramienta hacia delante hasta la posición de inmersión deseada.

NOTA: Las marcas en el costado del protector de disco muestran los puntos de corte delantero y trasero absolutos del disco a la profundidad de corte máxima cuando se utiliza el riel guía.

► Fig.32: 1. Punto de corte delantero 2. Punto de corte trasero

Dispositivo guía

Accesorios opcionales

La utilización de la guía de bisel permite cortes de inglete exactos con ángulos y los trabajos de acoplamiento. La utilización de la mordaza garantiza una sujeción firme de la pieza de trabajo en la mesa.

FUNCIÓN DE ACTIVACIÓN INALÁMBRICA

Para DSP601 solamente

Lo que puede hacer con la función de activación inalámbrica

La función de activación inalámbrica permite realizar una operación limpia y cómoda. Conectando un aspirador compatible a la herramienta, puede poner en marcha automáticamente el aspirador junto con la operación del interruptor de la herramienta.

► Fig.33

Para utilizar la función de activación inalámbrica, prepare los elementos siguientes:

- Una unidad inalámbrica
- Un aspirador compatible con la función de activación inalámbrica

El resumen del ajuste de la función de activación inalámbrica es como sigue. Consulte cada sección para ver los procedimientos en detalle.

1. Instalación de la unidad inalámbrica
2. Registro de herramienta para el aspirador
3. Inicio de la función de activación inalámbrica

Instalación de la unidad inalámbrica

▲PRECAUCIÓN: Ponga la herramienta sobre una superficie plana y estable cuando instale la unidad inalámbrica.

AVISO: Limpie el polvo y la suciedad de la herramienta antes de instalar la unidad inalámbrica. El polvo o la suciedad puede ocasionar un mal funcionamiento si entra en la ranura de la unidad inalámbrica.

AVISO: Para evitar el mal funcionamiento causado por la electricidad estática, toque un material en el que descarga la electricidad estática, tal como una parte metálica de la herramienta, antes de coger la unidad inalámbrica.

AVISO: Cuando instale la unidad inalámbrica, asegúrese siempre de que la unidad inalámbrica está insertada en la dirección correcta y que la tapa está completamente cerrada.

1. Abra la tapa de la herramienta como se muestra en la figura.

► Fig.34: 1. Tapa

2. Inserte la unidad inalámbrica en la ranura y después cierre la tapa.

Cuando inserte la unidad inalámbrica, alinee los salientes con las porciones embutidas de la ranura.

► Fig.35: 1. Unidad inalámbrica 2. Saliente 3. Tapa 4. Porción embutida

Cuando retire la unidad inalámbrica, abra la tapa despacio. Los ganchos de la parte trasera de la tapa alzarán la unidad inalámbrica a medida que usted levanta la tapa.

► Fig.36: 1. Unidad inalámbrica 2. Gancho 3. Tapa

Después de retirar la unidad inalámbrica, manténgala dentro de la funda suministrada o en un contenedor libre de electricidad estática.

AVISO: Utilice siempre los ganchos de la parte trasera de la tapa cuando retire la unidad inalámbrica. Si los ganchos no agarran la unidad inalámbrica, cierre la tapa completamente y ábrala despacio otra vez.

Registro de herramienta para el aspirador

NOTA: Para el registro de herramienta se requiere un aspirador Makita compatible con la función de activación inalámbrica.

NOTA: Termine de instalar la unidad inalámbrica en la herramienta antes de comenzar el registro de herramienta.

NOTA: Durante el registro de herramienta, no apriete el gatillo interruptor o active el interruptor de alimentación del aspirador.

NOTA: Consulte el manual de instrucciones del aspirador, también.

Si desea activar el aspirador junto con la operación del interruptor de la herramienta, termine el registro de herramienta de antemano.

1. Instale las baterías en el aspirador y la herramienta.
2. Ajuste el interruptor de espera del aspirador a "AUTO".

► Fig.37: 1. Interruptor de espera

3. Presione el botón de activación inalámbrica en el aspirador durante 3 segundos hasta que la lámpara de activación inalámbrica parpadee en verde. Y después presione el botón de activación inalámbrica en la herramienta de la misma manera.

► Fig.38: 1. Botón de activación inalámbrica
2. Lámpara de activación inalámbrica

Si el aspirador y la herramienta están vinculados correctamente, las lámparas de activación inalámbrica se iluminarán en verde durante 2 segundos y comenzarán a parpadear en azul.

NOTA: Las lámparas de activación inalámbrica dejarán de parpadear en verde después de transcurrir 20 segundos. Presione el botón de activación inalámbrica en la herramienta mientras la lámpara de activación inalámbrica en el aspirador está parpadeando. Si la lámpara de activación inalámbrica no parpadea en verde, presione el botón de activación inalámbrica brevemente y manténgalo presionado otra vez.

NOTA: Cuando realice dos o más registros de herramienta para un aspirador, termine el registro de herramienta de uno en uno.

Inicio de la función de activación inalámbrica

NOTA: Termine el registro de herramienta para el aspirador antes de la activación inalámbrica.

NOTA: Consulte el manual de instrucciones del aspirador, también.

Después de registrar una herramienta en el aspirador, el aspirador se pondrá en marcha automáticamente junto con la operación del interruptor de la herramienta.

1. Instale la unidad inalámbrica en la herramienta.
2. Conecte la manguera del aspirador a la herramienta.

► Fig.39

3. Ajuste el interruptor de espera del aspirador a "AUTO".

► **Fig.40:** 1. Interruptor de espera

4. Presione el botón de activación inalámbrica en la herramienta brevemente. La lámpara de activación inalámbrica parpadeará en azul.

► **Fig.41:** 1. Botón de activación inalámbrica
2. Lámpara de activación inalámbrica

5. Apriete el gatillo interruptor de la herramienta. Compruebe si el aspirador se pone en marcha mientras el gatillo interruptor está siendo apretado.

Para detener la activación inalámbrica del aspirador, presione el botón de activación inalámbrica en la herramienta.

NOTA: La lámpara de activación inalámbrica en la herramienta dejará de parpadear en azul cuando no se realice ninguna operación durante 2 horas. En este caso, ajuste el interruptor de espera del aspirador a "AUTO" y presione el botón de activación inalámbrica en la herramienta otra vez.

NOTA: El aspirador se pone en marcha/se detiene con una demora. Hay un lapso de tiempo cuando el aspirador detecta una operación del interruptor de la herramienta.










NOTA: La distancia de transmisión de la unidad inalámbrica puede variar dependiendo de la ubicación y las circunstancias circundantes.

NOTA: Cuando haya registradas dos o más herramientas en un aspirador, el aspirador podrá ponerse en marcha aunque usted no apriete el gatillo interruptor porque otro usuario está utilizando la función de activación inalámbrica.

Descripción del estado de la lámpara de activación inalámbrica

► **Fig.42:** 1. Lámpara de activación inalámbrica

La lámpara de activación inalámbrica muestra el estado de la función de activación inalámbrica. Consulte la tabla de abajo para ver el significado del estado de la lámpara.

| Estado | Lámpara de activación inalámbrica | | | Duración | Descripción |
|---|-----------------------------------|---|---|-------------|--|
| | Color |  Encendida |  Parpadeando | | |
| En espera | Azul |  | | 2 horas | La activación inalámbrica del aspirador está disponible. La lámpara se apagará automáticamente cuando no se realice ninguna operación durante 2 horas. |
| | |  | | | Cuando la herramienta está en marcha. |
| Registro de herramienta | Verde |  | | 20 segundos | Preparada para el registro de herramienta. Esperando para el registro en el aspirador. |
| | |  | | 2 segundos | El registro de herramienta ha terminado. La lámpara de activación inalámbrica comenzará a parpadear en azul. |
| Cancelación del registro de herramienta | Rojo |  | | 20 segundos | Preparada para la cancelación del registro de herramienta. Esperando para la cancelación en el aspirador. |
| | |  | | 2 segundos | La cancelación del registro de herramienta ha terminado. La lámpara de activación inalámbrica comenzará a parpadear en azul. |
| Otros | Rojo |  | | 3 segundos | La alimentación se suministra a la unidad inalámbrica y la función de activación inalámbrica se está poniendo en marcha. |
| | Apagada | - | | - | La activación inalámbrica del aspirador está detenida. |

Cancelación del registro de herramienta para el aspirador

Realice el procedimiento siguiente cuando vaya a cancelar el registro de herramienta para el aspirador.

1. Instale las baterías en el aspirador y la herramienta.

2. Ajuste el interruptor de espera del aspirador a "AUTO".

► **Fig.43:** 1. Interruptor de espera

3. Presione el botón de activación inalámbrica en el aspirador durante 6 segundos. La lámpara de activación inalámbrica parpadea en verde y después se vuelve roja. Después de esto, presione el botón de activación inalámbrica en la herramienta de la misma manera.

► **Fig.44:** 1. Botón de activación inalámbrica
2. Lámpara de activación inalámbrica

Si la cancelación se realiza correctamente, las lámparas de activación inalámbrica se iluminarán en rojo durante 2 segundos y comenzarán a parpadear en azul.

NOTA: Las lámparas de activación inalámbrica dejarán de parpadear en rojo después de transcurrir 20 segundos. Presione el botón de activación inalámbrica en la herramienta mientras la lámpara de activación inalámbrica en el aspirador está parpadeando. Si la lámpara de activación inalámbrica no parpadea en rojo, presione el botón de activación inalámbrica brevemente y manténgalo presionado otra vez.

Solución de problemas para la función de activación inalámbrica

Antes de solicitar reparaciones, realice su propia inspección en primer lugar. Si encuentra un problema que no está explicado en el manual, no intente desmontar la herramienta. En su lugar, pregunte en los centros de servicio autorizados Makita, utilizando siempre piezas de recambio Makita para las reparaciones.

| Estado de anomalía | Causa probable (mal funcionamiento) | Remedio |
|--|---|--|
| La lámpara de activación inalámbrica no se ilumina/parpadea. | La unidad inalámbrica no está instalada en la herramienta. La unidad inalámbrica está instalada incorrectamente en la herramienta. | Instale la unidad inalámbrica correctamente. |
| | El terminal de la unidad inalámbrica y/o la ranura están sucios. | Retire con cuidado el polvo y la suciedad del terminal de la unidad inalámbrica y limpie la ranura. |
| | El botón de activación inalámbrica en la herramienta no ha sido presionado. | Presione el botón de activación inalámbrica en la herramienta brevemente. |
| | El interruptor de espera del aspirador no está ajustado a "AUTO". | Ajuste el interruptor de espera del aspirador a "AUTO". |
| | No se está suministrando alimentación. | Suministre alimentación a la herramienta y al aspirador. |
| No se puede terminar el registro de herramienta / cancelación del registro de herramienta correctamente. | La unidad inalámbrica no está instalada en la herramienta. La unidad inalámbrica está instalada incorrectamente en la herramienta. | Instale la unidad inalámbrica correctamente. |
| | El terminal de la unidad inalámbrica y/o la ranura están sucios. | Retire con cuidado el polvo y la suciedad del terminal de la unidad inalámbrica y limpie la ranura. |
| | El interruptor de espera del aspirador no está ajustado a "AUTO". | Ajuste el interruptor de espera del aspirador a "AUTO". |
| | No se está suministrando alimentación. | Suministre alimentación a la herramienta y al aspirador. |
| | Operación incorrecta | Presione el botón de activación inalámbrica brevemente y realice los procedimientos de registro/cancelación de herramienta otra vez. |
| | La herramienta y el aspirador están alejados uno del otro (fuera del rango de transmisión). | Ponga la herramienta y el aspirador más cerca uno del otro. La distancia de transmisión es de aproximadamente 10 m, sin embargo, podrá variar de acuerdo con las circunstancias. |
| | Antes de terminar el registro/cancelación de herramienta; - el gatillo interruptor de la herramienta está apretado o; - el botón de alimentación del aspirador está activado. | Presione el botón de activación inalámbrica brevemente y realice los procedimientos de registro/cancelación de herramienta otra vez. |
| | Los procedimientos de registro de herramienta para la herramienta o el aspirador no han terminado. | Realice los procedimientos de registro de herramienta para la herramienta y el aspirador en el mismo momento. |
| Interferencia de radio de otros aparatos que generan ondas de radio de alta intensidad. | Mantenga la herramienta y el aspirador alejados de aparatos tales como dispositivos Wi-Fi y hornos de microondas. | |

| Estado de anomalía | Causa probable (mal funcionamiento) | Remedio |
|--|---|--|
| El aspirador no se pone en marcha junto con la operación del interruptor de la herramienta. | La unidad inalámbrica no está instalada en la herramienta. La unidad inalámbrica está instalada incorrectamente en la herramienta. | Instale la unidad inalámbrica correctamente. |
| | El terminal de la unidad inalámbrica y/o la ranura están sucios. | Retire con cuidado el polvo y la suciedad del terminal de la unidad inalámbrica y limpie la ranura. |
| | El botón de activación inalámbrica en la herramienta no ha sido presionado. | Presione el botón de activación inalámbrica brevemente y asegúrese de que la lámpara de activación inalámbrica está parpadeando en azul. |
| | El interruptor de espera del aspirador no está ajustado a "AUTO". | Ajuste el interruptor de espera del aspirador a "AUTO". |
| | Hay más de 10 herramientas registradas en el aspirador. | Realice el registro de herramienta otra vez. Si hay más de 10 herramientas registradas en el aspirador, la herramienta que más tiempo lleve registrada se cancelará automáticamente. |
| | El aspirador borró todos los registros de herramienta. | Realice el registro de herramienta otra vez. |
| | No se está suministrando alimentación. | Suministre alimentación a la herramienta y al aspirador. |
| | La herramienta y el aspirador están alejados uno del otro (fuera del rango de transmisión). | Ponga la herramienta y el aspirador más cerca uno del otro. La distancia de transmisión es de aproximadamente 10 m, sin embargo, podrá variar de acuerdo con las circunstancias. |
| Interferencia de radio de otros aparatos que generan ondas de radio de alta intensidad. | Mantenga la herramienta y el aspirador alejados de aparatos tales como dispositivos Wi-Fi y hornos de microondas. | |
| El aspirador se pone en marcha mientras el gatillo interruptor de la herramienta no está apretado. | Otros usuarios están utilizando la activación inalámbrica del aspirador con sus herramientas. | Desactive el botón de activación inalámbrica de las otras herramientas o cancele el registro de herramienta de las otras herramientas. |

MANTENIMIENTO

⚠️ PRECAUCIÓN: Asegúrese siempre de que la herramienta está apagada y de que el cartucho de batería está retirado antes de intentar hacer una inspección o mantenimiento.

⚠️ PRECAUCIÓN: Limpie el protector para asegurarse de que no hay serrín acumulado que podría impedir la operación del sistema de protección. Un sistema de protección sucio puede limitar la protección apropiada lo que puede resultar en heridas personales graves. La forma más eficaz de lograr esta limpieza es con aire comprimido. **Si el polvo está siendo soplado hacia fuera del protector, asegúrese de utilizar la protección de ojos y respiratoria apropiada.**

AVISO: No utilice nunca gasolina, bencina, disolvente, alcohol o similares. Podría producir descoloración, deformación o grietas.

Ajuste de la precisión de corte a 0° y 45°

AVISO: No accione las palancas para ángulo de bisel de -1° cuando ajuste la precisión de corte de 0°.

AVISO: No accione la palanca para ángulo de bisel de 48° cuando ajuste la precisión de corte de 45°.

Estos ajustes han sido hechos en fábrica. Pero si están desalineados, usted puede ajustarlos utilizando los procedimientos siguientes.

1. Afloje ligeramente los tornillos de fijación de las partes delantera y trasera de la herramienta.
2. Ajuste el ángulo del disco.
▶ **Fig.45:** 1. Escuadra

Para ajustar la precisión de corte a 0°, ponga la base perpendicular al disco utilizando una escuadra, cartabón, etc., girando el perno de ajuste.

▶ **Fig.46:** 1. Perno de ajuste para corte a 0°

Para ajustar la precisión de corte a 45°, ponga la base a 45° con respecto al disco utilizando una escuadra girando el perno de ajuste.

▶ **Fig.47:** 1. Perno de ajuste para corte a 45°

3. Apriete los tornillos de fijación y haga un corte de prueba.

Para mantener la SEGURIDAD y FIABILIDAD del producto, las reparaciones, y cualquier otra tarea de mantenimiento o ajuste deberán ser realizadas en centros de servicio o de fábrica autorizados por Makita, empleando siempre repuestos Makita.

ACCESORIOS OPCIONALES

⚠PRECAUCIÓN: Estos accesorios o aditamentos están recomendados para su uso con la herramienta Makita especificada en este manual.

El uso de cualquier otro accesorio o aditamento puede suponer un riesgo de heridas personales. Utilice el accesorio o aditamento solamente con la finalidad indicada para el mismo.

Si necesita cualquier ayuda para más detalles en relación con estos accesorios, pregunte al centro de servicio Makita local.

- Disco de sierra circular
- Base secundaria
- Llave hexagonal
- Riel guía
- Guía de bisel
- Mordaza
- Lámina
- Lámina de goma
- Lámina de posición
- Unidad inalámbrica (para DSP601)
- Batería y cargador genuinos de Makita

NOTA: Algunos elementos de la lista podrán estar incluidos en el paquete de la herramienta como accesorios estándar. Pueden variar de un país a otro.

ESPECIFICAÇÕES

| Modelo: | DSP600 | DSP601 |
|----------------------------|--|--------|
| Diâmetro da lâmina | 165 mm | |
| Profundidade máx. de corte | a 0° | 56 mm |
| | em bisel de 45° | 40 mm |
| | em bisel de 48° | 38 mm |
| Velocidade sem carga | 2.500 - 6.300 min ⁻¹ | |
| Comprimento geral | 346 mm | |
| Voltagem nominal | CC 36 V | |
| Bateria | BL1815N, BL1820, BL1820B, BL1830, BL1830B, BL1840, BL1840B, BL1850, BL1850B, BL1860B | |
| Carregador | DC18RC, DC18RD, DC18SD, DC18SE, DC18SF | |
| Peso líquido | 4,4 - 5,1 kg | |

- Devido a um programa contínuo de pesquisa e desenvolvimento, estas especificações estão sujeitas a alteração sem aviso prévio.
- As especificações e a bateria podem variar de país para país.
- O peso poderá diferir em função do acessório(s), incluindo a bateria. A combinação mais leve e mais pesada, de acordo com o Procedimento EPTA 01/2014, é apresentada na tabela.

Utilização a que se destina

A ferramenta destina-se especificamente à realização de cortes penetrantes. A ferramenta destina-se também à realização de cortes paralelos e transversais na madeira. Se a ferramenta estiver equipada com uma lâmina de serra circular adequada pode ser utilizada para serrar alumínio, plástico, plástico que contém mineral e materiais similares.

Ruído

A característica do nível de ruído A determinado de acordo com a EN62841:

Modelo DSP600

Nível de pressão acústica (L_{pA}): 92 dB (A)
 Nível de potência acústica (L_{WA}): 103 dB (A)
 Variabilidade (K): 3 dB (A)

Modelo DSP601

Nível de pressão acústica (L_{pA}): 92 dB (A)
 Nível de potência acústica (L_{WA}): 103 dB (A)
 Variabilidade (K): 3 dB (A)

AVISO: Utilize protetores auriculares.

Vibração

Valor total da vibração (soma vetorial tri-axial) determinado de acordo com a EN62841:

Modelo DSP600

Modo de trabalho: cortar madeira
 Emissão de vibração ($a_{h,W}$): 2,5 m/s² ou menos
 Variabilidade (K): 1,5 m/s²

Modo de trabalho: cortar metal
 Emissão de vibração ($a_{h,M}$): 2,5 m/s² ou menos
 Variabilidade (K): 1,5 m/s²

Modelo DSP601

Modo de trabalho: cortar madeira
 Emissão de vibração ($a_{h,W}$): 2,5 m/s² ou menos
 Variabilidade (K): 1,5 m/s²
 Modo de trabalho: cortar metal
 Emissão de vibração ($a_{h,M}$): 2,5 m/s² ou menos
 Variabilidade (K): 1,5 m/s²

NOTA: O valor da emissão de vibração indicado foi medido de acordo com o método de teste padrão e pode ser utilizado para comparar duas ferramentas.

NOTA: O valor da emissão de vibração indicado pode também ser utilizado na avaliação preliminar da exposição.

AVISO: A emissão de vibração durante a utilização real da ferramenta elétrica pode diferir do valor de emissão indicado, dependendo das formas como a ferramenta é utilizada.

AVISO: Certifique-se de identificar as medidas de segurança para proteção do operador que sejam baseadas em uma estimativa de exposição em condições reais de utilização (considerando todas as partes do ciclo de operação, tal como quando a ferramenta está desligada e quando está a funcionar em marcha lenta além do tempo de acionamento).

Declaração de conformidade da CE

Apenas para os países europeus

A declaração de conformidade da CE está incluída como Anexo A neste manual de instruções.

AVISOS DE SEGURANÇA

Avisos gerais de segurança para ferramentas elétricas

⚠️ AVISO: Leia todos os avisos de segurança, instruções, ilustrações e especificações fornecidos com esta ferramenta elétrica. O não cumprimento de todas as instruções indicadas em baixo pode resultar em choque elétrico, incêndio e/ou ferimentos graves.

Guarde todos os avisos e instruções para futuras referências.

O termo "ferramenta elétrica" nos avisos refere-se às ferramentas elétricas ligadas à corrente elétrica (com cabo) ou às ferramentas elétricas operadas por meio de bateria (sem cabo).

Avisos de segurança da serra circular a bateria

Procedimentos de corte

- ⚠️ PERIGO:** Mantenha as mãos afastadas da área de corte e da lâmina. Mantenha a outra mão na pega auxiliar ou na caixa do motor. Se as duas mãos estiverem a pegar na serra, não podem ser cortadas pela lâmina.
 - Não toque na superfície inferior da peça de trabalho.** O resguardo não o protege da lâmina debaixo da peça de trabalho.
 - Regule a profundidade do corte em relação à espessura da peça de trabalho.** Só deve ser possível ver menos de um dente completo da lâmina sob a peça de trabalho.
 - Nunca segure a peça de trabalho nas mãos ou apoiada em sua perna enquanto efetua o corte. Fixe a peça de trabalho numa plataforma estável.** É importante apoiar a peça de trabalho de forma apropriada para minimizar a exposição do corpo, a dobragem da lâmina ou a perda de controlo.
- Fig.1
- Agarre na ferramenta elétrica pelas superfícies isoladas preparadas para esse fim quando executar uma operação em que a ferramenta de corte possa entrar em contacto com cablagem escondida ou o próprio cabo.** O contacto com um fio "sob tensão" também fará com que as partes de metal expostas da ferramenta elétrica fiquem "sob tensão", provocando um choque elétrico ao operador.
 - Em escarificação use sempre uma guia paralela ou uma guia reta.** Melhora a precisão do corte e reduz a possibilidade de a lâmina encravar.
 - Use sempre lâminas com o tamanho e forma (diamante versus redonda) corretos de orifícios do eixo.** As lâminas que não correspondem ao equipamento de montagem da serra desviar-se-ão do centro, causando perda de controlo.

- Nunca utilize arruelas ou pernos de lâmina estragados ou incorretos.** As arruelas e pernos da lâmina foram concebidos para a sua serra, para maior rendimento e segurança na operação.

Causas e avisos sobre recuos

- o recuo é uma reação súbita a uma lâmina de serra apertada, encravada ou desalinhada, fazendo com que uma serra descontrolada se eleve e saia da peça de trabalho em direção ao operador;
- quando a lâmina é apertada ou encravada pelo fecho do corte, a lâmina para e a reação do motor aciona a unidade rapidamente para trás em direção ao operador;
- se a lâmina ficar torta ou mal alinhada no corte, os dentes na extremidade traseira da lâmina podem perfurar a superfície superior da madeira fazendo com que a lâmina suba no corte e salte em direção ao operador.

O recuo é o resultado de má utilização da serra e/ou de procedimentos ou condições de funcionamento incorretos e pode ser evitado tomando as precauções adequadas como indicado abaixo.

- Mantenha a serra bem agarrada com as duas mãos e posicione os braços para resistir às forças de recuo. Posicione o seu corpo num dos lados da lâmina, mas nunca alinhado com a lâmina.** O recuo pode fazer com que a serra salte para trás, mas as forças de recuo podem ser controladas pelo operador se forem tomadas as precauções apropriadas.
 - Se a lâmina está presa ou se, por qualquer razão, interromper o corte, solte o gatilho e agarre na serra parada no material até que a lâmina pare completamente. Nunca tente retirar a serra da peça de trabalho nem puxar a serra para trás enquanto a lâmina está em movimento, pois pode ocorrer recuo.** Investigue e execute as ações corretivas para eliminar as causas de a lâmina encravar.
 - Quando efetuar o rearranque de uma serra na peça de trabalho, centre a lâmina da serra no corte, de modo a que os dentes da serra não fiquem engatados no material.** Se uma lâmina de serra dobrar, poderá levantar ou recuar da peça de trabalho à medida que é efetuado o rearranque da serra.
 - Suporte os painéis grandes para minimizar o risco de a lâmina prender e recuar.** Os painéis grandes tendem a ceder sob o próprio peso. Os suportes devem ser colocados sob o painel, nos dois lados, perto da linha de corte e perto da extremidade do painel.
- Fig.2
- Fig.3
- Não utilize lâminas rombas ou estragadas.** As lâminas não afiadas ou mal colocadas produzem um corte estreito causando fricção excessiva, encravamento da lâmina e recuo.
 - As alavancas de bloqueio de regulação de profundidade e ângulo de corte devem estar apertadas e presas antes de fazer o corte.** Se a regulação da lâmina se alterar durante o corte, pode causar encravamento e recuo.

7. **Tenha cuidado especialmente ao serrar em paredes existentes ou outras áreas ocultas.** A lâmina saliente pode cortar objetos que podem originar recuo.
 8. **Agarre SEMPRE na ferramenta firmemente com as duas mãos. NUNCA coloque as mãos, pernas ou outra parte do corpo por baixo da base da ferramenta ou por trás da serra, especialmente quando executar cortes cruzados.** Se ocorrer recuo, a serra pode facilmente saltar para trás sobre a sua mão, ocasionando ferimentos pessoais graves.
- Fig.4
9. **Nunca force a serra. Empurre a serra para a frente a uma velocidade tal em que a lâmina corte sem perder velocidade.** Forçar a serra pode causar cortes desiguais, perda de precisão e possível recuo.

Função de resguardo

1. **Verifique se o resguardo fecha bem antes de cada utilização. Não utilize a serra se o resguardo não se movimentar livremente e fechar a lâmina instantaneamente. Nunca fixe nem prenda o resguardo de modo a que a lâmina fique exposta.** Se deixar cair a serra acidentalmente, o resguardo pode ficar dobrado. Verifique se o resguardo se movimenta livremente e não toca na lâmina ou em qualquer outra parte, em todos os ângulos e profundidades de corte.
2. **Verifique o funcionamento e o estado da mola de retorno do resguardo. Se o resguardo e a mola não estiverem a funcionar adequadamente, deve realizar a respetiva manutenção antes de utilizá-los.** O resguardo pode funcionar lentamente devido a peças danificadas, depósitos de borracha ou à acumulação de resíduos.
3. **Assegure que a placa base da serra não se desvia enquanto realiza o “corte de penetração”.** O desvio da lâmina na lateral causará a dobragem da lâmina e provavelmente o seu recuo.
4. **Certifique-se sempre de que o resguardo está a cobrir a lâmina antes de colocar a serra sobre a bancada ou no chão.** Uma lâmina sem proteção, a rodar por inércia, fará com que a serra recue cortando tudo o que estiver no seu caminho. Preste atenção ao tempo que a lâmina leva a parar depois de soltar o interruptor.

Avisos adicionais de segurança

1. **Tenha cuidado redobrado quando cortar madeira húmida, madeira tratada sob pressão ou madeira com nós.** Mantenha o avanço suave da ferramenta sem diminuir a velocidade da lâmina, de modo a evitar o sobreaquecimento das pontas das lâminas e, no caso de cortar plásticos, para evitar derreter o plástico.
2. **Não tente retirar material cortado quando a lâmina está em movimento. Espere até que a lâmina esteja completamente parada antes de pegar no material cortado.** A lâmina continua a rodar depois de desligar a ferramenta.
3. **Evite cortar pregos. Inspeccione e retire todos os pregos da madeira antes de cortar.**

4. **Coloque a parte mais larga da base da serra na parte da peça de trabalho que está firmemente suportada e não na secção que cairá quando faz o corte. Se a peça de trabalho for curta ou pequena, prenda-a com grampos de fixação. NÃO TENHA AGARRAR PEÇAS PEQUENAS COM A MÃO!**

► Fig.5

5. **Antes de colocar a ferramenta de lado depois de terminar um corte, certifique-se de que o resguardo fechou e que a lâmina está completamente parada.**
6. **Nunca tente serrar com a serra circular presa ao contrário num torno. É extremamente perigoso e pode originar acidentes graves.**

► Fig.6

7. **Alguns materiais contêm químicos que podem ser tóxicos. Tenha cuidado para evitar a inalação de pó e o contacto com a pele. Siga os dados de segurança do fornecedor.**
8. **Não pare as lâminas por meio de pressão lateral na lâmina de serra.**
9. **Não utilize discos abrasivos.**
10. **Utilize apenas uma lâmina de serra que tenha o diâmetro marcado na ferramenta ou especificado no manual.** A utilização de uma lâmina de tamanho incorreto pode afetar a proteção adequada da lâmina ou a operação de resguardo, o que pode resultar em ferimentos pessoais graves.
11. **Mantenha a lâmina afiada e limpa.** Os resíduos acumulados e pastosos tornam a serra mais lenta e aumentam a possibilidade de recuo. Mantenha a lâmina limpa retirando-a primeiro da ferramenta e limpando-a com um produto para remoção de resíduos pastosos, água quente ou querosene. Nunca utilize gasolina.
12. **Use uma máscara contra o pó e proteção auricular quando utilizar a ferramenta.**
13. **Use sempre a lâmina de serra prevista para cortar o material que vai cortar.**
14. **Apenas use lâminas de serra marcadas com uma velocidade igual ou superior à velocidade marcada na ferramenta.**
15. **(Apenas para países europeus) Use sempre a lâmina que possui conformidade com a EN847-1.**

GUARDE ESTAS INSTRUÇÕES.

⚠AVISO: NÃO permita que o conforto ou familiaridade com o produto (adquirido com o uso repetido) substitua o cumprimento estrito das regras de segurança da ferramenta. A MÁ INTERPRETAÇÃO ou o não seguimento das regras de segurança estabelecidas neste manual de instruções pode provocar ferimentos pessoais graves.

Instruções de segurança importantes para a bateria

1. Antes de utilizar a bateria, leia todas as instruções e etiquetas de precaução no (1) carregador de bateria (2) bateria e (3) produto que utiliza a bateria.
2. Não abra a bateria.
3. Se o tempo de funcionamento se tornar excessivamente curto, pare o funcionamento imediatamente. Pode resultar em sobreaquecimento, possíveis queimaduras e mesmo explosão.
4. Se entrar eletrólito nos seus olhos, lave-os com água e consulte imediatamente um médico. Pode resultar em perda de visão.
5. Não coloque a bateria em curto-circuito:
 - (1) Não toque nos terminais com qualquer material condutor.
 - (2) Evite guardar a bateria juntamente com outros objetos metálicos tais como pregos, moedas, etc.
 - (3) Não exponha a bateria à água ou chuva. Um curto-circuito pode ocasionar um enorme fluxo de corrente, sobreaquecimento, possíveis queimaduras e mesmo estragar-se.
6. Não guarde a ferramenta e a bateria em locais onde a temperatura pode atingir ou exceder 50°C.
7. Não queime a bateria mesmo que esteja estragada ou completamente gasta. A bateria pode explodir no fogo.
8. Tenha cuidado para não deixar cair ou dar pancadas na bateria.
9. Não utilize uma bateria danificada.
10. As baterias de íões de lítio contidas na ferramenta são sujeitas aos requisitos da DGL (Dangerous Goods Legislation - Legislação de bens perigosos).

Para o transporte comercial, por exemplo, por terceiros ou agentes de expedição, têm de ser observados os requisitos referentes à embalagem e etiquetagem.

Para preparação do artigo a ser expedido, é necessário consultar um perito em materiais perigosos. Tenha ainda em conta a possibilidade de existirem regulamentos nacionais mais detalhados.

Coloque fita-cola ou tape os contactos abertos e embale a bateria de tal forma que não possa mover-se dentro da embalagem.
11. Siga os regulamentos locais relacionados com a eliminação de baterias.

GUARDE ESTAS INSTRUÇÕES.

⚠️PRECAUÇÃO: Utilize apenas baterias genuínas da Makita. A utilização de baterias não genuínas da Makita ou de baterias que foram alteradas, pode resultar no rebentamento da bateria provocando incêndios, ferimentos pessoais e danos. Além disso, anulará a garantia da Makita no que se refere à ferramenta e ao carregador Makita.

Conselhos para manter a máxima vida útil da bateria

1. Carregue a bateria antes que esteja completamente descarregada. Pare sempre o funcionamento da ferramenta e carregue a bateria quando notar menos poder na ferramenta.
2. Nunca carregue uma bateria completamente carregada. Carregamento excessivo diminui a vida útil da bateria.
3. Carregue a bateria à temperatura ambiente de 10°C – 40°C. Deixe que uma bateria quente arrefeça antes de a carregar.
4. Carregue a bateria se não a utilizar durante um longo período de tempo (mais de seis meses).

Instruções de segurança importantes para a unidade sem fios

1. Não desmonte ou manipule a unidade sem fios.
2. Mantenha a unidade sem fios afastada das crianças. Se ocorrer a ingestão acidental, procure imediatamente cuidados médicos.
3. Utilize a unidade sem fios apenas com ferramentas Makita.
4. Não exponha a unidade sem fios à chuva ou a condições húmidas.
5. Não utilize a unidade sem fios em locais onde a temperatura excede 50°C .
6. Não utilize a unidade sem fios em locais próximos de instrumentos médicos, tais como estimuladores cardíacos.
7. Não utilize a unidade sem fios em locais próximos de dispositivos automatizados. Se utilizada, os dispositivos automatizados podem desenvolver anomalias ou erros.
8. A unidade sem fios pode produzir campos eletromagnéticos (CEM) mas estes não são nocivos para o utilizador.
9. A unidade sem fios é um instrumento preciso. Tenha cuidado para não deixar cair a unidade sem fios nem bater nesta.
10. Evite tocar no terminal da unidade sem fios com as mãos desprotegidas ou com materiais metálicos.
11. Retire sempre a bateria da ferramenta quando instalar a unidade sem fios.
12. Quando abrir a tampa da ranhura, evite o local no qual a poeira e a água podem entrar para a ranhura. Mantenha sempre a entrada da ranhura limpa.
13. Insira sempre a unidade sem fios na direção correta.
14. Não pressione o botão de ativação sem fios na unidade sem fios com demasiada força e/ou pressione o botão com um objeto com aresta afiada.
15. Feche sempre a tampa da ranhura quando utilizar a ferramenta.
16. Não remova a unidade sem fios da ranhura enquanto estiver a ser fornecida alimentação elétrica à ferramenta. Fazê-lo pode causar a anomalia da unidade sem fios.

17. Não remova o adesivo da unidade sem fios.
18. Não coloque qualquer adesivo na unidade sem fios.
19. Não deixe a unidade sem fios num local em que possa ser gerada eletricidade estática ou ruído elétrico.
20. Não deixe a unidade sem fios num local sujeito a calor intenso, tal como um veículo exposto ao sol.
21. Não deixe a unidade sem fios num local poeirento ou pulverulento ou num local onde possa ser gerado gás corrosivo.
22. A mudança súbita da temperatura pode molhar a unidade sem fios com condensação. Não utilize a unidade sem fios até que a condensação esteja completamente seca.
23. Quando limpar a unidade sem fios, limpe-a suavemente com um pano macio e seco. Não utilize benzina, diluente, massa lubrificante condutora ou similar.
24. Quando armazenar a unidade sem fios, guarde-a na caixa fornecida ou num recipiente anti-estática.
25. Não insira quaisquer dispositivos diferentes da unidade sem fios Makita na ranhura na ferramenta.
26. Não utilize a ferramenta com a tampa da ranhura danificada. A entrada de água, poeira e sujidade na ranhura pode causar o mau funcionamento.
27. Não puxe e/ou torça a tampa da ranhura além do necessário. Recoloque a tampa se esta sair da ferramenta.
28. Substitua a tampa da ranhura se a perder ou danificar.

GUARDE ESTAS INSTRUÇÕES.

DESCRIÇÃO FUNCIONAL

⚠PRECAUÇÃO: Certifique-se sempre de que a ferramenta está desligada e a bateria foi retirada antes de regular ou verificar qualquer função na ferramenta.

Instalação ou remoção da bateria

⚠PRECAUÇÃO: Desligue sempre a ferramenta antes de colocar ou retirar a bateria.

⚠PRECAUÇÃO: Segure firmemente a ferramenta e a bateria quando instalar ou remover a bateria. Se não segurar firmemente a ferramenta e a bateria pode fazer com que escorreguem das suas mãos resultando em danos na ferramenta e na bateria e ferimentos pessoais.

► Fig.7: 1. Indicador vermelho 2. Botão 3. Bateria

Para retirar a bateria, deslize-a para fora da ferramenta enquanto desliza o botão na frente da bateria.

Para instalar a bateria, alinhe a lingueta da bateria com a ranhura no compartimento e deslize-a no lugar. Empurre-a até o fim para que a mesma encaixe no lugar com um clique. Se puder ver a parte vermelha no lado superior do botão, significa que não está completamente bloqueada.

⚠PRECAUÇÃO: Instale sempre a bateria até ao fim, até deixar de ver o indicador vermelho. Caso contrário, a bateria poderá cair da ferramenta acidentalmente e provocar ferimentos em si mesmo ou em alguém próximo.

⚠PRECAUÇÃO: Não instale a bateria à força. Se a bateria não deslizar facilmente é porque não foi colocada corretamente.

NOTA: A ferramenta não funciona apenas com uma bateria.

Sistema de proteção da ferramenta/bateria

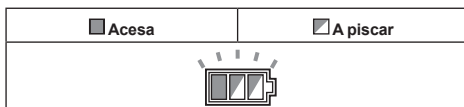
A ferramenta está equipada com um sistema de proteção da ferramenta/bateria. Este sistema corta automaticamente a corrente ao motor para prolongar a vida útil da ferramenta e da bateria. A ferramenta para automaticamente durante o funcionamento se a ferramenta ou a bateria se encontrarem numa das seguintes condições. Nalgumas condições, a luz indicadora acende.

Proteção contra sobrecarga

Quando a ferramenta estiver a ser operada de forma a causar uma absorção de corrente anormalmente elevada, a ferramenta para automaticamente. Nesta situação, desligue a ferramenta e pare a aplicação que causou a sobrecarga da ferramenta. De seguida, ligue a ferramenta e reinicie.

Proteção contra sobreaquecimento

Quando a ferramenta estiver sobreaquecida, a ferramenta para automaticamente e o indicador da bateria pisca cerca de 60 segundos. Nesta situação, deixe a ferramenta arrefecer antes de ligar novamente a ferramenta.



Proteção contra descarga excessiva

Quando a capacidade da bateria é baixa, a ferramenta para automaticamente. Se o produto não funcionar mesmo quando os interruptores são acionados, retire as baterias da ferramenta e carregue-as.

Indicação da capacidade restante da bateria

► **Fig.8:** 1. Indicador da bateria (para bateria superior) 2. Botão de verificação 3. Indicador da bateria (para bateria inferior)

Prima o botão de verificação para indicar a capacidade restante das baterias. Os indicadores da bateria correspondem a cada bateria.

| Estado dos indicadores da bateria | | | Capacidade restante da bateria |
|-----------------------------------|---------|----------|--------------------------------|
| Aceso | Apagado | A piscar | |
| | | | 50% a 100% |
| | | | 20% a 50% |
| | | | 0% a 20% |
| | | | Carregar a bateria |

Indicação da capacidade restante da bateria

Apenas para baterias com indicador

► **Fig.9:** 1. Luzes indicadoras 2. Botão de verificação

Prima o botão de verificação na bateria para indicar a capacidade restante da bateria. As luzes indicadoras acendem durante alguns segundos.

| Luzes indicadoras | | | Capacidade restante |
|-------------------|---------|----------|--------------------------------|
| Aceso | Apagado | A piscar | |
| | | | 75% a 100% |
| | | | 50% a 75% |
| | | | 25% a 50% |
| | | | 0% a 25% |
| | | | Carregar a bateria. |
| | | | A bateria pode estar avariada. |

NOTA: Dependendo das condições de utilização e da temperatura ambiente, a indicação pode ser ligeiramente diferente da capacidade real.

Função de mudança de velocidade automática

NOTA: A função de mudança automática da velocidade apenas está disponível quando o indicador de ajuste da velocidade estiver no 5.

Esta ferramenta possui o “modo de alta velocidade” e o “modo de alto binário”.

A ferramenta muda automaticamente o modo de operação dependendo da carga de trabalho. Quando a carga de trabalho é baixa, a ferramenta funcionará no “modo de alta velocidade” para uma operação de corte mais rápida. Quando a carga de trabalho é alta, a ferramenta funcionará no “modo de binário alto” para uma operação de corte mais potente.

► **Fig.10:** 1. Indicador de modo

O indicador de modo acende a verde quando a ferramenta está a funcionar no “modo de binário alto”. Se a ferramenta for operada com carga excessiva, o indicador de modo piscará a verde. O indicador de modo para de piscar e acende de seguida ou desliga se reduzir a carga na ferramenta.

| Estado do indicador de modo | | | Modo de operação |
|---|---------------------------------|---|-------------------------|
| <input checked="" type="radio"/> Ligado | <input type="radio"/> Desligado | <input checked="" type="radio"/> A piscar | |
| | | | Modo de alta velocidade |
| | | | Modo de binário alto |
| | | | Alerta de sobrecarga |

Regulação da profundidade do corte

PRECAUÇÃO: Depois de regular a profundidade de corte, aperte sempre o parafuso de fixação com segurança.

Afrouxe o aperto do parafuso de fixação na guia de profundidade e desloque o limitador inferior da lâmina para a profundidade pretendida na chapa de escala. Na profundidade de corte pretendida, aperte o parafuso de fixação firmemente.

Para cortes limpos e seguros, regule a profundidade de corte de forma que apenas um dente da serra fique saliente na parte de baixo da peça de trabalho. Utilizar a profundidade de corte correta ajuda a reduzir o risco de RECUOS perigosos, que podem causar ferimentos pessoais.

► **Fig.11:** 1. Limitador inferior da lâmina 2. Parafuso de fixação

Botão de paragem rápida para profundidade de corte de 2 a 3 mm quando utiliza a calha-guia (acessório opcional)

Esta ferramenta possui o botão de paragem rápida para profundidade de corte de 2 a 3 mm na caixa de engrenagens ao lado da pega traseira quando utiliza a calha-guia. É utilizada para evitar cavacos na peça de trabalho no corte. Realize uma passagem do primeiro corte de 2 a 3 mm e, de seguida, realize outra passagem de corte normal.

► **Fig.12:** 1. Botão de paragem rápida

Para obter a profundidade de corte de 2 a 3 mm, empurre o botão de paragem rápida para dentro na direção da lâmina de serra. Isto é conveniente para evitar cavacos na peça de trabalho. Para soltar a profundidade de corte desta posição para uma profundidade de corte livre, puxe simplesmente o botão para trás.

Corte de bisel

Solte os parafusos de fixação. Defina para o ângulo pretendido ao inclinar em conformidade e, em seguida, aperte firmemente os parafusos de fixação.

► **Fig.13:** 1. Parafuso de fixação 2. Chapa de escala de bisel

► **Fig.14:** 1. Sub-base (Acessório opcional)
2. Parafuso de fixação

Batente positivo

O limitador positivo é útil para definir rapidamente o ângulo denominado. Rode o limitador positivo de modo a que a seta presente neste aponte 22,5°. Afrouxe os parafusos de fixação na parte da frente e de trás da ferramenta. De seguida, incline a lâmina até parar e fixe a base com os parafusos de fixação.

► **Fig.15:** 1. Batente positivo 2. Parafuso de fixação

Corte de bisel de 48°

Para realizar o corte de bisel de 48°, afrouxe os parafusos de fixação e incline totalmente a alavanca no sentido da seta na figura. Depois regule o ângulo de bisel de 48° e aperte os parafusos de fixação.

► **Fig.16:** 1. Alavanca

Corte de bisel de -1°

Para realizar o corte de bisel de -1°, afrouxe os parafusos de fixação e pressione a alavanca no sentido da seta na figura. Depois regule o ângulo de bisel de -1° e aperte os parafusos de fixação.

► **Fig.17:** 1. Alavanca

Mira

► **Fig.18:** 1. Base

A linha de corte varia em função do ângulo de corte e do facto de usar ou não a calha-guia (acessório opcional).

Quando utiliza a ferramenta sem calha-guia

Para cortes retos, alinhe a posição A na frente da base com a linha de corte que pretende cortar. Para cortes de bisel de 45°, alinhe a posição B com a mesma.

Quando utiliza a ferramenta com calha-guia

Para cortes retos e cortes de bisel de 45°, alinhe sempre a posição A na frente da base com a linha de corte que pretende cortar.

Ação do interruptor

⚠AVISO: Antes de colocar a bateria na ferramenta, verifique sempre se o gatilho do interruptor funciona corretamente e volta para a posição "OFF" quando libertado.

⚠AVISO: NUNCA tente anular o botão de desbloqueio dando-lhe pancadas para baixo nem por qualquer outro meio. Um interruptor com um botão de desbloqueio anulado pode resultar em operação não intencional e em ferimentos pessoais graves.

⚠AVISO: NUNCA utilize a ferramenta se ela funcionar premindo apenas o gatilho, sem ter de carregar no botão de desbloqueio. Um interruptor que necessita de reparação pode resultar em operação não intencional e em ferimentos pessoais graves. Envie a ferramenta para um centro de assistência da Makita para receber uma reparação adequada ANTES de voltar a utilizá-la.

Para evitar que o gatilho seja acionado acidentalmente, existe um botão de desbloqueio. Para arrancar a ferramenta, prima o botão de desbloqueio e puxe o gatilho. Liberte o gatilho para parar.

► **Fig.19:** 1. Gatilho do interruptor 2. Botão de desbloqueio

OBSERVAÇÃO: Não carregue a fundo o gatilho sem pressionar o botão de segurança. Esta ação pode estragar o interruptor.

Indicador de ajuste da velocidade

A velocidade da ferramenta pode ser ajustada ao rodar o indicador de ajuste. A velocidade da rotação da lâmina aumenta à medida que aumenta o número no indicador de ajuste da velocidade.

► **Fig.20:** 1. Indicador de ajuste da velocidade

Consulte a tabela para selecionar a velocidade apropriada para a peça de trabalho a cortar. Contudo, a velocidade apropriada poderá diferir com o tipo ou espessura da peça de trabalho. Em geral, as velocidades mais elevadas permitem-lhe cortar peças de trabalho mais rapidamente mas a vida útil da lâmina será reduzida.

| Número | Velocidade de rotação da lâmina por minuto (min ⁻¹) |
|--------|---|
| 1 | 2.500 min ⁻¹ |
| 2 | 2.900 min ⁻¹ |
| 3 | 3.900 min ⁻¹ |
| 4 | 4.900 min ⁻¹ |
| 5 | 6.300 min ⁻¹ |

⚠PRECAUÇÃO: O indicador de ajuste da velocidade não se destina ao uso de lâminas de serra de velocidade baixa mas à obtenção de uma velocidade adequada ao material da peça de trabalho. Use apenas lâminas de serra classificadas no mínimo com a velocidade máxima sem carga referida nas ESPECIFICAÇÕES.

⚠OBSERVAÇÃO: O indicador de ajuste da velocidade apenas pode ser rodado até 5 e retrocedido até 1. Não o force além do 5 ou 1, caso contrário, a função de ajuste da velocidade poderá deixar de funcionar.

Função eletrônica

As ferramentas equipadas com função eletrônica são fáceis de operar devido às seguintes características.

Protetor contra sobrecarga

Quando a ferramenta é sobrecarregada e a corrente flui acima de um determinado nível, a ferramenta para automaticamente para proteger o motor.

Controlo de velocidade constante

Controlo de velocidade eletrónico para obtenção da velocidade constante. É possível obter acabamento fino porque a velocidade de rotação é mantida constante sob carga.

Característica de arranque suave

Arranque suave devido a choque de arranque suprimido.

MONTAGEM

⚠PRECAUÇÃO: Certifique-se sempre de que a ferramenta está desligada e a bateria retirada antes de executar qualquer trabalho na ferramenta.

Armazenamento da chave hexagonal

Quando não a estiver a utilizar, guarde a chave hexagonal como indicado na figura para não a perder.

► **Fig.21:** 1. Chave hexagonal

Remoção ou instalação da lâmina de serra circular

⚠PRECAUÇÃO: Certifique-se de que a lâmina de serra circular está instalada com os dentes virados para cima na frente da ferramenta.

⚠PRECAUÇÃO: Utilize apenas a chave Makita para instalar ou remover a lâmina de serra circular.

Para remover a lâmina de serra circular:

1. Solte o botão de desbloqueio e desça ligeiramente a pega. Rode a alavanca de bloqueio e desça a pega até o pino de bloqueio encaixar no orifício.

► **Fig.22:** 1. Botão de desbloqueio 2. Alavanca de bloqueio 3. Pino de bloqueio 4. Orifício para pino de bloqueio

2. Pressione o travão do eixo até ao fim de modo que a lâmina não possa rodar e utilize a chave hexagonal para soltar o perno hexagonal.

► **Fig.23:** 1. Travão do eixo 2. Chave hexagonal 3. Apertar 4. Soltar

3. Remova o perno hexagonal, o flange exterior e lâmina de serra circular.

► **Fig.24:** 1. Perno hexagonal 2. Flange exterior 3. Flange interior 4. Lâmina de serra circular

⚠AVISO: Se o flange interior for removido, certifique-se de que instala-o no eixo. Quando instalá-lo, escolha um lado correto no qual a saliência encaixe perfeitamente no orifício da lâmina de serra. Montar a lâmina no lado errado pode resultar em vibração perigosa.

Para instalar a lâmina de serra circular, siga o procedimento de remoção pela ordem inversa. Solte o botão de desbloqueio e solte o pino de bloqueio do orifício.

⚠AVISO: CERTIFIQUE-SE DE QUE APERTA FIRMEMENTE O PERNO HEXAGONAL. Tenha igualmente cuidado para não apertar o perno forçando-o. Se a sua mão escorregar da chave hexagonal, pode provocar ferimentos pessoais.

Limpeza do resguardo da lâmina

Quando mudar a lâmina de serra circular, certifique-se de que também limpa a serradura acumulada no resguardo da lâmina, como indicado na secção Manutenção. Essas providências não invalidam a necessidade de verificar o funcionamento do resguardo antes de cada utilização.

Ligar um aspirador

Acessório opcional

Quando desejar executar uma operação de corte limpa, ligue um aspirador Makita à ferramenta. Ligue a mangueira do aspirador ao bocal de poeira, utilizando as bainhas frontais 24.

► **Fig.25:** 1. Mangueira do aspirador 2. Bainhas frontais 24 3. Bocal de poeira

OPERAÇÃO

⚠PRECAUÇÃO: Certifique-se de que desloca a ferramenta para a frente, suavemente numa linha direita. Forçar ou torcer a ferramenta resultará no sobreaquecimento do motor e em recuo perigoso, podendo causar ferimentos graves.

⚠PRECAUÇÃO: Nunca aproxime qualquer parte do seu corpo sob a base da ferramenta quando efetuar o corte transversal, especialmente no início. Fazê-lo pode causar lesões físicas graves. A lâmina está exposta sob a base da ferramenta.

NOTA: Quando a temperatura do cartucho da bateria está baixa, a ferramenta pode não funcionar na sua capacidade total. Nesta altura, por exemplo, utilize a ferramenta para um corte leve, durante algum tempo, até o cartucho da bateria aquecer e atingir a temperatura ambiente. Depois, a ferramenta pode funcionar à sua capacidade total.

Corte transversal (corte comum)

► Fig.26

Agarre a ferramenta firmemente. A ferramenta é fornecida com um punho frontal e uma pega traseira. Utilize os dois para agarrar melhor a ferramenta. Se as duas mãos estiverem a agarrar a serra, não poderão ser cortadas pela lâmina da serra circular. Coloque a base na peça de trabalho a cortar sem que a lâmina da serra circular faça qualquer contacto. De seguida, empurre o botão de desbloqueio para dentro e puxe o gatilho do interruptor. Aguarde até que a lâmina da serra circular atinja a velocidade máxima. Agora, pressione a cabeça da serra lentamente para baixo até à profundidade de corte predefinida e desloque simplesmente a ferramenta para a frente sobre a superfície da peça de trabalho, mantendo-a plana e avançando suavemente até que o corte esteja terminado.

Para obter cortes limpos, mantenha a linha de corte direita e a velocidade de avanço uniforme. Se o corte não seguir corretamente a linha de corte pretendida, não tente rodar nem forçar a ferramenta a voltar atrás na linha de corte. Pode dobrar a lâmina da serra circular e originar recuo perigoso e possíveis ferimentos graves. Liberte o gatilho, espere que a lâmina da serra circular pare e, em seguida, retire a ferramenta. Volte a alinhar a ferramenta numa nova linha de corte e inicie o corte outra vez. Tente evitar uma posição que exponha o operador às aparas e à serradura ejetadas pela serra. Use protetores oculares para ajudar a evitar ferimentos.

Calha-guia

Acessório opcional

Coloque a ferramenta na extremidade traseira da calha-guia. Rode os dois parafusos de ajuste na base da ferramenta de modo a que a ferramenta deslize ligeiramente sem ruído. Segure firmemente o punho frontal e a pega traseira da ferramenta. Ligue a ferramenta, pressione a ferramenta para baixo até à profundidade de corte predefinida e corte o resguardo de cavacos ao longo do comprimento total com um curso. Agora o bordo do resguardo de cavacos corresponde ao bordo de corte.

► Fig.27: 1. Parafusos de ajuste

Quando realizar o corte de bisel com a calha-guia, utilize a alavanca deslizante para evitar que a ferramenta caia.

Mova a alavanca deslizante na base da ferramenta no sentido da seta, de modo a engatar na ranhura de corte inferior na calha-guia.

► Fig.28: 1. Alavanca deslizante

Sub-base (régua guia)

Acessório opcional

Ao utilizar a sub-base como régua guia, pode realizar cortes retos com precisão extra. Afrouxe os parafusos de fixação e deslize a sub-base para fora da ferramenta e, de seguida, insira-a virada de cabeça para baixo.

► Fig.29: 1. Parafuso de fixação 2. Sub-base

Basta deslizar a guia da sub-base compactamente para o lado da peça de trabalho e prendê-la na posição com os parafusos de fixação. Também torna possível cortes repetidos de espessura uniforme.

► Fig.30: 1. Parafuso de fixação 2. Sub-base

Corte de penetração (recorte)

AVISO: De modo a evitar um recuo, certifique-se de que observa as seguintes instruções.

► Fig.31: 1. Bordo traseiro da base da ferramenta 2. Retenção fixa

Quando utilizar a ferramenta sem calha-guia, coloque a ferramenta na peça de trabalho com o bordo traseiro da base da ferramenta contra uma retenção fixa ou equivalente concebida por um operador.

Quando utilizar a ferramenta com calha-guia, coloque a ferramenta na calha-guia com o bordo traseiro da base da ferramenta contra uma retenção fixa ou equivalente apertada na calha-guia.

Segure a ferramenta firmemente com uma mão no punho frontal e com a outra mão na pega da ferramenta. Em seguida, empurre o botão de desbloqueio para dentro e ligue a ferramenta e espere até que a lâmina atinja a velocidade máxima. Agora, pressione a cabeça da serra lentamente para baixo até à profundidade de corte predefinida e desloque simplesmente a ferramenta para a frente até à posição de penetração pretendida.

NOTA: As marcações na parte lateral do resguardo da lâmina mostram os pontos de corte frontais e traseiros absolutos da lâmina de serra na profundidade máxima de corte quando utiliza a calha-guia.

► Fig.32: 1. Ponto de corte frontal 2. Ponto de corte traseiro

Dispositivo da guia

Acessório opcional

O uso da guia de bisel permite cortes de esquadria exatos com ângulos e trabalhos de encaixe.

O uso do grampo assegura uma retenção firme da peça de trabalho na mesa.

FUNÇÃO DE ATIVAÇÃO SEM FIOS

Apenas para DSP601

O que pode fazer com a função de ativação sem fios

A função de ativação sem fios possibilita um funcionamento limpo e confortável. Ao ligar um aspirador suportado à ferramenta, pode utilizar o aspirador automaticamente juntamente com o funcionamento por interruptor da ferramenta.

► **Fig.33**

Para utilizar a função de ativação sem fios, prepare os seguintes itens:

- Uma unidade sem fios
- Um aspirador que suporta a função de ativação sem fios

A vista geral da definição da função de ativação sem fios é a seguinte. Consulte cada secção para obter os procedimentos detalhados.

1. Instalar a unidade sem fios
2. Registo da ferramenta para o aspirador
3. Iniciar a função de ativação sem fios

Instalar a unidade sem fios

⚠PRECAUÇÃO: Coloque a ferramenta num superfície plana e estável quando instalar a unidade sem fios.

OBSERVAÇÃO: Limpe a poeira e a sujidade da ferramenta antes de instalar a unidade sem fios. A poeira ou a sujidade podem causar o mau funcionamento caso entrem na ranhura da unidade sem fios.

OBSERVAÇÃO: Para evitar o mau funcionamento causado pela estática, toque num material de descarga estática, tal como uma peça metálica da ferramenta, antes de pegar na unidade sem fios.

OBSERVAÇÃO: Quando instalar a unidade sem fios, certifique-se sempre de que a unidade sem fios é inserida na direção correta e que a tampa está completamente fechada.

1. Abra a tampa da ferramenta conforme ilustrado na figura.

► **Fig.34:** 1. Tampa

2. Insira a unidade sem fios na ranhura e feche a tampa, em seguida.

Quando inserir a unidade sem fios, alinhe as projeções com as partes encaixadas na ranhura.

► **Fig.35:** 1. Unidade sem fios 2. Projeção 3. Tampa 4. Parte encaixada

Quando remover a unidade sem fios, abra a tampa lentamente. Os ganchos na parte traseira da tampa elevam a unidade sem fios à medida que puxa a tampa para cima.

► **Fig.36:** 1. Unidade sem fios 2. Gancho 3. Tampa

Após remover a unidade sem fios, guarde-a na caixa fornecida ou num recipiente anti-estática.

OBSERVAÇÃO: Utilize sempre os ganchos da parte traseira da tampa quando remover a unidade sem fios. Se os ganchos não agarrarem a unidade sem fios, feche a tampa completamente e volte a abri-la lentamente.

Registo da ferramenta para o aspirador

NOTA: O aspirador Makita que suporta a função de ativação sem fios é necessário para o registo da ferramenta.

NOTA: Conclua a instalação da unidade sem fios na ferramenta antes de iniciar o registo da ferramenta.

NOTA: Durante o registo da ferramenta, não puxe o gatilho do interruptor ou ligue o interruptor de alimentação do aspirador.

NOTA: Consulte também o manual de instruções do aspirador.

Se pretender ativar o aspirador juntamente com o funcionamento por interruptor da ferramenta, conclua primeiramente o registo da ferramenta.

1. Instale as baterias no aspirador e na ferramenta.
2. Regule o interruptor do modo de espera no aspirador para "AUTO".

► **Fig.37:** 1. Interruptor do modo de espera

3. Pressione o botão de ativação sem fios do aspirador durante 3 segundos até a lâmpada de ativação sem fios piscar a verde. Em seguida, pressione o botão de ativação sem fios da ferramenta da mesma forma.

► **Fig.38:** 1. Botão de ativação sem fios 2. Lâmpada de ativação sem fios

Se o aspirador e a ferramenta forem ligados com sucesso, as lâmpadas de ativação sem fios acendem a verde durante 2 segundos e começam a piscar a azul.

NOTA: As lâmpadas de ativação sem fios acabam de piscar a verde após decorridos 20 segundos. Pressione o botão de ativação sem fios da ferramenta enquanto a lâmpada de ativação sem fios do aspirador estiver a piscar. Se a lâmpada de ativação sem fios não piscar a verde, pressione o botão de ativação sem fios por breves instantes e mantenha-o pressionado novamente.

NOTA: Quando realizar dois ou mais registos da ferramenta para um aspirador, conclua o registo da ferramenta um por um.

Iniciar a função de ativação sem fios

NOTA: Conclua o registo da ferramenta para o aspirador antes de realizar a ativação sem fios.

NOTA: Consulte também o manual de instruções do aspirador.

Após registar uma ferramenta para o aspirador, o aspirador funciona automaticamente com o funcionamento por interruptor da ferramenta.

1. Instale a unidade sem fios na ferramenta.
 2. Ligue a mangueira do aspirador à ferramenta.
- **Fig.39**

3. Regule o interruptor do modo de espera no aspirador para "AUTO".

► **Fig.40:** 1. Interruptor do modo de espera

4. Pressione o botão de ativação sem fios da ferramenta por breves instantes. A lâmpada de ativação sem fios pisca a azul.

► **Fig.41:** 1. Botão de ativação sem fios 2. Lâmpada de ativação sem fios

5. Puxe o gatilho do interruptor da ferramenta.

Verifique se o aspirador funciona enquanto o gatilho do interruptor estiver puxado.

Para parar a ativação sem fios do aspirador, pressione o botão de ativação sem fios da ferramenta.

NOTA: A lâmpada de ativação sem fios da ferramenta para de piscar a azul quando não ocorre qualquer utilização durante 2 horas. Neste caso, regule o interruptor do modo de espera do aspirador para "AUTO" e pressione novamente o botão de ativação sem fios da ferramenta.

NOTA: O aspirador inicia/para com um atraso. Ocorre um atraso temporal quando o aspirador deteta o funcionamento por interruptor da ferramenta.










NOTA: A distância de transmissão da unidade sem fios poderá variar em função do local e das circunstâncias envolventes.

NOTA: Quando duas ou mais ferramentas forem registadas para um aspirador, o aspirador poderá iniciar o seu funcionamento mesmo que não puxe o gatilho do interruptor devido ao facto de outro utilizador estar a utilizar a função de ativação sem fios.

Descrição do estado da lâmpada de ativação sem fios

► **Fig.42:** 1. Lâmpada de ativação sem fios

A lâmpada de ativação sem fios exhibe o estado da função de ativação sem fios. Consulte a tabela seguinte para obter o significado do estado da lâmpada.

| Estado | Lâmpada de ativação sem fios | | | | Descrição |
|----------------------------------|------------------------------|--|--|--|---|
| | Cor |  Ligada |  A piscar | Duração | |
| Modo de espera | Azul |  | | 2 horas | A ativação sem fios do aspirador está disponível. A lâmpada desliga automaticamente quando o aspirador não é utilizado durante 2 horas. |
| | |  | | Quando a ferramenta estiver a funcionar. | A ativação sem fios do aspirador está disponível e a ferramenta está a funcionar. |
| Registo da ferramenta | Verde |  | | 20 segundos | Preparado para o registo da ferramenta. A aguardar o registo pelo aspirador. |
| | |  | | 2 segundos | O registo da ferramenta foi concluído. A lâmpada de ativação sem fios começa a piscar a azul. |
| Cancelar o registo da ferramenta | Vermelho |  | | 20 segundos | Preparado para o cancelamento do registo da ferramenta. A aguardar o cancelamento pelo aspirador. |
| | |  | | 2 segundos | O cancelamento do registo da ferramenta foi concluído. A lâmpada de ativação sem fios começa a piscar a azul. |
| Outros | Vermelho |  | | 3 segundos | A alimentação elétrica é fornecida à unidade sem fios e a função de ativação sem fios é iniciada. |
| | Desligada | - | | - | A ativação sem fios do aspirador é interrompida. |

Cancelar o registo da ferramenta para o aspirador

Realize o procedimento seguinte quando cancelar o registo da ferramenta para o aspirador.

1. Instale as baterias no aspirador e na ferramenta.

2. Regule o interruptor do modo de espera no aspirador para "AUTO".

► **Fig.43:** 1. Interruptor do modo de espera

3. Pressione o botão de ativação sem fios do aspirador durante 6 segundos. A lâmpada de ativação sem fios pisca a verde e fica vermelha, em seguida. Seguidamente, pressione o botão de ativação sem fios da ferramenta da mesma forma.

► **Fig.44:** 1. Botão de ativação sem fios 2. Lâmpada de ativação sem fios

Se o cancelamento for realizado com sucesso, as lâmpadas de ativação sem fios acendem a vermelho durante 2 segundos e começam a piscar a azul.

NOTA: As lâmpadas de ativação sem fios acabam de piscar a vermelho após decorridos 20 segundos. Pressione o botão de ativação sem fios da ferramenta enquanto a lâmpada de ativação sem fios do aspirador estiver a piscar. Se a lâmpada de ativação sem fios não piscar a vermelho, pressione o botão de ativação sem fios por breves instantes e mantenha-o pressionado novamente.

Resolução de problemas para a função de ativação sem fios

Antes de pedir uma reparação, realize primeiro a sua própria inspeção. Se encontrar um problema que não esteja explicado no manual, não tente desmontar a ferramenta. Em vez disso, peça as reparações nos centros de assistência técnica autorizados da Makita, usando sempre peças de substituição da Makita.

| Estado da anomalia | Causa provável (avaria) | Correção |
|--|---|---|
| A lâmpada de ativação sem fios não acende/pisca. | A unidade sem fios não está instalada na ferramenta. A unidade sem fios está instalada incorretamente na ferramenta. | Instale a unidade sem fios corretamente. |
| | O terminal da unidade sem fios e/ou a ranhura estão sujos. | Limpe delicadamente a poeira e a sujidade do terminal da unidade sem fios e limpe a ranhura. |
| | O botão de ativação sem fios da ferramenta não foi pressionado. | Pressione o botão de ativação sem fios da ferramenta por breves instantes. |
| | O interruptor do modo de espera do aspirador não está regulado para "AUTO". | Regule o interruptor do modo de espera no aspirador para "AUTO". |
| | Sem fornecimento de alimentação elétrica | Forneça alimentação elétrica à ferramenta e ao aspirador. |
| Não foi possível concluir o registo da ferramenta / o cancelamento do registo da ferramenta com sucesso. | A unidade sem fios não está instalada na ferramenta. A unidade sem fios está instalada incorretamente na ferramenta. | Instale a unidade sem fios corretamente. |
| | O terminal da unidade sem fios e/ou a ranhura estão sujos. | Limpe delicadamente a poeira e a sujidade do terminal da unidade sem fios e limpe a ranhura. |
| | O interruptor do modo de espera do aspirador não está regulado para "AUTO". | Regule o interruptor do modo de espera no aspirador para "AUTO". |
| | Sem fornecimento de alimentação elétrica | Forneça alimentação elétrica à ferramenta e ao aspirador. |
| | Funcionamento incorreto | Pressione o botão de ativação sem fios por breves instantes e volte a realizar os procedimentos de registo da ferramenta/cancelamento. |
| | A ferramenta e o aspirador estão afastados um do outro (fora do alcance da transmissão). | Aproxime a ferramenta do aspirador. A distância máxima de transmissão é aproximadamente 10 m, contudo, poderá variar de acordo com as circunstâncias. |
| | Antes de concluir o registo da ferramenta/cancelamento: - o gatilho do interruptor da ferramenta está puxado ou; - o botão de alimentação do aspirador está ligado. | Pressione o botão de ativação sem fios por breves instantes e volte a realizar os procedimentos de registo da ferramenta/cancelamento. |
| | Os procedimentos de registo da ferramenta para a ferramenta ou aspirador não foram concluídos. | Realize os procedimentos de registo da ferramenta para a ferramenta e para o aspirador ao mesmo tempo. |
| Interferência radioelétrica por outros aparelhos que geram ondas de rádio de alta intensidade. | Mantenha a ferramenta e o aspirador afastados de aparelhos como dispositivos Wi-Fi e fornos microondas. | |

| Estado da anomalia | Causa provável (avaria) | Correção |
|--|---|--|
| O aspirador não funciona juntamente com o funcionamento por interruptor da ferramenta. | A unidade sem fios não está instalada na ferramenta. A unidade sem fios está instalada incorretamente na ferramenta. | Instale a unidade sem fios corretamente. |
| | O terminal da unidade sem fios e/ou a ranhura estão sujos. | Limpe delicadamente a poeira e a sujidade do terminal da unidade sem fios e limpe a ranhura. |
| | O botão de ativação sem fios da ferramenta não foi pressionado. | Pressione o botão de ativação sem fios por breves instantes e certifique-se de que a lâmpada de ativação sem fios está a piscar a azul. |
| | O interruptor do modo de espera do aspirador não está regulado para "AUTO". | Regule o interruptor do modo de espera no aspirador para "AUTO". |
| | Estão registadas mais de 10 ferramentas para o aspirador. | Realize o registo da ferramenta novamente. Se estiverem registadas mais de 10 ferramentas para o aspirador, a ferramenta registada mais cedo será cancelada automaticamente. |
| | O aspirador apagou todos os registos da ferramenta. | Realize o registo da ferramenta novamente. |
| | Sem fornecimento de alimentação elétrica | Forneça alimentação elétrica à ferramenta e ao aspirador. |
| | A ferramenta e o aspirador estão afastados um do outro (fora do alcance da transmissão). | Aproxime a ferramenta do aspirador. A distância máxima de transmissão é aproximadamente 10 m, contudo, poderá variar de acordo com as circunstâncias. |
| | Interferência radioelétrica por outros aparelhos que geram ondas de rádio de alta intensidade. | Mantenha a ferramenta e o aspirador afastados de aparelhos como dispositivos Wi-Fi e fornos microondas. |
| O aspirador funciona enquanto o gatilho do interruptor não for puxado. | Outros utilizadores estão a utilizar a ativação sem fios do aspirador com as respetivas ferramentas. | Desligue o botão de ativação sem fios das outras ferramentas ou cancele o registo da ferramenta das outras ferramentas. |

MANUTENÇÃO

⚠️ PRECAUÇÃO: Certifique-se sempre de que a ferramenta se encontra desligada e de que a bateria foi retirada antes de executar qualquer inspeção ou manutenção.

⚠️ PRECAUÇÃO: Limpe o resguardo para garantir que não há serradura acumulada que possa impedir a operação do sistema de resguardo. Um sistema de resguardo sujo pode limitar o funcionamento adequado, o que pode resultar em ferimentos pessoais graves. A forma mais eficaz de conseguir esta limpeza é com ar comprimido. **Quando estiver a soprar a poeira dos resguardos, certifique-se de que utiliza proteções ocular e respiratória adequadas.**

OBSERVAÇÃO: Nunca utilize gasolina, benzina, diluente, álcool ou produtos semelhantes. Pode ocorrer a descoloração, deformação ou rachaduras.

Ajustar a precisão do corte de 0° e 45°

OBSERVAÇÃO: Não engate as alavancas para o ângulo de bisel de -1° quando ajustar a precisão de corte de 0°.

OBSERVAÇÃO: Não engate a alavanca para o ângulo de bisel de 48° quando ajustar a precisão de corte de 45°.

Estes ajustes foram feitos na fábrica. Mas se estiverem desalinhados, pode ajustá-los mediante os seguintes procedimentos.

1. Afrouxe ligeiramente os parafusos de fixação na parte da frente e de trás da ferramenta.
 2. Ajuste o ângulo da lâmina.
- **Fig.45:** 1. Régua triangular

Para ajustar a precisão de corte de 0°, coloque a base perpendicular à lâmina utilizando uma régua triangular, quadrada, etc. rodando o perno de ajuste.

► **Fig.46:** 1. Perno de ajuste para o corte de 0°

Para ajustar a precisão de corte de 45°, coloque a base a 45° em relação à lâmina utilizando uma régua triangular, rodando o perno de ajuste.

► **Fig.47:** 1. Perno de ajuste para o corte de 45°

3. Aperte os parafusos de fixação e realize um corte de teste.

Para manter a SEGURANÇA e a FIABILIDADE do produto, as reparações e qualquer outra manutenção ou ajuste devem ser levados a cabo pelos centros de assistência Makita autorizados ou pelos centros de assistência de fábrica, utilizando sempre peças de substituição Makita.

ACESSÓRIOS OPCIONAIS

⚠️ PRECAUÇÃO: Estes acessórios ou peças são recomendados para utilização com a ferramenta Makita especificada neste manual. A utilização de outros acessórios ou peças pode ser perigosa para as pessoas. Utilize apenas acessórios ou peças para os fins indicados.

Se necessitar de informações adicionais relativas a estes acessórios, solicite-as ao seu centro de assistência Makita.

- Lâmina de serra circular
- Sub-base
- Chave sextavada
- Calha-guia
- Guia de bisel
- Grampo
- Folha
- Folha de borracha
- Folha de posição
- Unidade sem fios (para DSP601)
- Bateria e carregador genuínos da Makita

NOTA: Alguns itens da lista podem estar incluídos na embalagem da ferramenta como acessórios padrão. Eles podem variar de país para país.

SPECIFIKATIONER

| Model: | DSP600 | DSP601 |
|---------------------------|--|--------|
| Klangediameter | 165 mm | |
| Maksimal skæredybde | ved 0° | 56 mm |
| | ved 45° skråsnit | 40 mm |
| | ved 48° skråsnit | 38 mm |
| Hastighed uden belastning | 2.500 - 6.300 min ⁻¹ | |
| Længde i alt | 346 mm | |
| Mærkespænding | D.C. 36 V | |
| Akku | BL1815N, BL1820, BL1820B, BL1830, BL1830B, BL1840, BL1840B, BL1850, BL1850B, BL1860B | |
| Oplader | DC18RC, DC18RD, DC18SD, DC18SE, DC18SF | |
| Nettovægt | 4,4 - 5,1 kg | |

- På grund af vores kontinuerlige forsknings- og udviklingsprogrammer kan hosstående specifikationer blive ændret uden varsel.
- Specifikationer og akku kan variere fra land til land.
- Vægten kan være anderledes afhængigt af tilbehøret, inklusive akkuen. Den letteste og tungeste kombination i henhold til EPTA-procedure 01/2014 er vist i tabellen.

Tilsigtet anvendelse

Denne maskine er beregnet til at foretage indstik. Denne maskine er også beregnet til at save på langs og på tværs af årener i træ. Hvis maskinen er udstyret med den rette rundsavsklinge, kan maskinen bruges til at save i aluminium, plastik, mineralholdig plastik og lignende materialer.

Lyd

Det typiske A-vægtede støjniveau bestemt i overensstemmelse med EN62841:

Model DSP600

Lydtryksniveau (L_{pA}): 92 dB (A)
 Lydeffektniveau (L_{WA}): 103 dB (A)
 Usikkerhed (K): 3 dB (A)

Model DSP601

Lydtryksniveau (L_{pA}): 92 dB (A)
 Lydeffektniveau (L_{WA}): 103 dB (A)
 Usikkerhed (K): 3 dB (A)

ADVARSEL: Bær høreværn.

Vibration

Vibrationens totalværdi (tre-aksial vektorsum) bestemt i overensstemmelse med EN62841:

Model DSP600

Arbejdstilstand: skæring i træ
 Vibrationsemission ($a_{h,W}$): 2,5 m/s² eller mindre
 Usikkerhed (K): 1,5 m/s²
 Arbejdstilstand: skæring i metal
 Vibrationsemission ($a_{h,M}$): 2,5 m/s² eller mindre
 Usikkerhed (K): 1,5 m/s²

Model DSP601

Arbejdstilstand: skæring i træ
 Vibrationsemission ($a_{h,W}$): 2,5 m/s² eller mindre
 Usikkerhed (K): 1,5 m/s²
 Arbejdstilstand: skæring i metal
 Vibrationsemission ($a_{h,M}$): 2,5 m/s² eller mindre
 Usikkerhed (K): 1,5 m/s²

BEMÆRK: Den angivne vibrationsemissionsværdier blevet målt i overensstemmelse med standardtestmetoden og kan anvendes til at sammenligne et værktøj med et andet.

BEMÆRK: Den angivne vibrationsemissionsværdien kan også anvendes i en præliminær eksponeringsvurdering.

ADVARSEL: Vibrationsemissionen under den faktiske anvendelse af værktøjet kan være forskellig fra den erklærede emissionsværdi, afhængigt af den måde, hvorpå værktøjet anvendes.

ADVARSEL: Sørg for at identificere de sikkerhedsforskrifter til beskyttelse af operatøren, som er baseret på en vurdering af eksponering under de faktiske brugsforhold (med hensyntagen til alle dele i brugscyklussen, f.eks. de gange, hvor værktøjet er slukket, og når det kører i tomgang i tilgift til afbrydertiden).

EU-overensstemmelseserklæring

Kun for lande i Europa

EU-overensstemmelseserklæringen er inkluderet som Bilag A i denne brugsanvisning.

SIKKERHEDSADVARSLER

Almindelige sikkerhedsregler for el-værktøj

⚠ ADVARSEL: Læs alle de sikkerhedsadvarsler, instruktioner, illustrationer og specifikationer, der følger med denne maskine. Forsømmelse af at overholde alle nedenstående instruktioner kan medføre elektrisk stød, brand og/eller alvorlig personskaade.

Gem alle advarsler og instruktioner til fremtidig reference.

Ordet "el-værktøj" i advarslerne henviser til det netforsynede (netledning) el-værktøj eller batteriforsynede (akku) el-værktøj.

Sikkerhedsadvarsler for ledningsfri rundsav

Fremgangsmåder for skæring

- ⚠ FARE:** Hold hænderne på god afstand af skæreamrådet og klingens. Hold den anden hånd på hjælpehåndtaget eller motorhuset. Hvis De holder saven med begge hænder, kan klingens ikke komme til at skære i dem.
 - Ræk ikke ned under arbejdsemnet.** Beskyttelsesskærmen kan ikke beskytte Dem mod klingens neden under arbejdsemnet.
 - Justér skæredybden efter tykkelsen af arbejdsemnet.** Mindre end en hel tand i klingetænderne bør være synlig under arbejdsemnet.
 - Hold aldrig arbejdsemnet i hænderne eller hen over benet, mens der skæres. Fastgør arbejdsemnet til en stabil platform.** Det er vigtigt at understøtte arbejdsemnet korrekt for at minimere risikoen for udsættelse af kroppen, binding af klingens eller tab af kontrollen.
- **Fig.1**
- Hold maskinen i de isolerede håndtagsflader, når der udføres et arbejde, hvor den skærende maskine kan komme i kontakt med skjulte ledninger eller maskinens egen ledning.** Kontakt med en strømførende ledning vil bevirke, at synlige metaldele på maskinen også bliver strømførende, hvorved operatøren kan få elektrisk stød.
 - Ved kløvning skal der altid anvendes et parallelslagslag eller en lige styreskinne.** Dette vil forbedre nøjagtigheden af snittet og mindske risikoen for, at klingens binder.
 - Brug altid klinger med akselhuller af den korrekte størrelse og form (kantede eller runde).** Klinger, der ikke svarer til savens monteringsdele, vil rotere skævt, så du mister kontrollen.
 - Anvend aldrig beskadigede eller forkerte spændeskiver og bolte til klingens.** Klingens spændeskiver og bolte er specielt fremstillede til Deres sav og til optimal ydelse og sikker anvendelse.

Arsager til tilbageslag og relaterede advarsler

- Tilbageslag er en pludselig reaktion på en fastklemt, fastsiddende eller forkert justeret savklinge, som kan medføre, at en ukontrolleret sav løftes opad og ud af arbejdsemnet i retning mod operatøren.
- Når klingens kommer i klemme eller sidder fast, fordi savsnittet lukkes sammen, stopper klingens, og motorreaktionen skubber apparatet hurtigt tilbage mod operatøren.
- Hvis klingens bliver bøjet eller fejljusteret i snittet, kan tænderne på bagkanten af klingens grave sig ind i træets øverste overflade, hvorved klingens kan smutte ud af savsnittet og springe tilbage i retning mod operatøren.

Tilbageslag skyldes forkert anvendelse af savens og/eller forkert fremgangsmåde for anvendelse eller forkerte forhold og kan undgås ved, at der træffes de rigtige forholdsregler som vist herunder.

- Oprethold et fast greb med begge hænder på savens, og hold armene således, at tilbageslagskraften modvirkes. Stil Dem på siden af klingens, men ikke på linje med den.** Tilbageslag kan bevirke, at savens springer bagud, men tilbageslagskraften kan kontrolleres af operatøren, hvis denne træffer de fornødne forholdsregler.
- Hvis klingens binder, eller hvis skæringen af en eller anden årsag afbrydes, skal De slippe afbryderknappen og holde savens stille i materialet, indtil klingens er standset helt. Forsøg aldrig at fjerne savens fra arbejdsemnet eller at trække savens bagud, mens klingens er i bevægelse, da dette kan medføre tilbageslag.** Undersøg situationen, og træf afhjælpningsforanstaltninger for at eliminere årsagen til, at klingens binder.
- Når savens startes igen i arbejdsemnet, skal du centrere savklingens i savsnittet, så savtænderne ikke sidder fast i emnet.** Hvis savklingens binder, kan den bevæge sig opad eller slå tilbage fra arbejdsemnet, når savens startes igen.
- Anvend store støtteplader til at minimere risikoen for fastklemning af klingens og tilbageslag.** Store plader har tendens til at synke under deres egen vægt. Der skal anbringes støtter under pladerne i begge sider, i nærheden af skærelinjen og nær kanten af pladen.

► **Fig.2**

► **Fig.3**

- Anvend ikke sløve eller beskadigede klinger.** Uskarpe eller forkert monterede klinger frembringer et snævert savsnit, som medfører kraftig friktion, binding af klingens og tilbageslag.
- Låsegrebene til klingedybde og skråsnitindstilling skal være stramme og sikre, inden skæringen påbegyndes.** Hvis klingensindstillingen ændrer sig under skæringen, kan der opstå binding og tilbageslag.
- Vær særlig forsigtig, når der saves ind i eksisterende vægge eller andre skjulte områder.** Savklingens, som stikker frem, kan komme til at skære i genstande, der kan medføre tilbageslag.
- Hold ALTID fast i maskinen med begge hænder. Placer ALDRIG Deres hånd, ben eller nogen del af kroppen under maskinens grundplade eller bag ved savens, især når De foretager krydssnit.** Hvis der opstår tilbageslag, kan savens nemt springe bagud over Deres hånd, hvorved der kan ske alvorlig personskaade.

► Fig.4

9. **Pres aldrig saven. Tryk saven fremad med en hastighed, så klingens skærer, uden at hastigheden sænkes.** Hvis De presser saven, kan der opstå uensartede skæringer, tab af præcision og muligt tilbageslag.

Beskyttelsesskærmens funktion

1. **Kontroller, at beskyttelsesskærmen lukker korrekt inden hver brug. Anvend ikke saven, hvis beskyttelsesskærmen ikke bevæger sig frit og omslutter klingens med det samme. Du må aldrig fastspænde eller fastbinde beskyttelsesskærmen, så klingens er blottet.** Hvis savens tabes ved et uheld, kan beskyttelsesskærmen blive bøjet. Kontroller, at beskyttelsesskærmen bevæger sig frit og ikke kommer i berøring med klingens eller andre dele i alle skærevinkler og -dybder.
2. **Kontroller funktionen og tilstanden af retur-fjederen på beskyttelsesskærmen. Hvis beskyttelsesskærmen og fjederen ikke fungerer korrekt, skal de repareres før brug.** Beskyttelsesskærmen kan fungere trægt på grund af beskadede dele, fastsiddende gummi eller ophobning af snæs.
3. **Kontroller, at savens grundplade ikke flytter sig, når der udføres et "indstik".** Hvis klingens flytter sig sidelæns, vil det medføre binding og sandsynligvis tilbageslag.
4. **Se altid efter, at beskyttelsesskærmen dækker klingens, inden saven anbringes på bænk eller gulv.** En ubeskyttet roterende klinge vil bevirke, at saven bevæger sig bagud og skærer i alt, hvad der er i dens bane. Vær opmærksom på den tid, det tager for klingens at stoppe, efter at afbryderen er sluppet.

Supplerende sikkerhedsforskrifter

1. **Vær ekstra forsigtig ved skæring i fugtigt træ, trykbehandlet træ eller træ, der indeholder knaster.** Sørg for, at maskinen bevæger sig jævnt fremad, uden at klingens hastigheden mindskes, for at undgå overophedning af klingenspidserne og, hvis der skæres i plastik, for at undgå, at plastikken smelter.
2. **Forsøg ikke at fjerne afskåret materiale, mens klingens roterer. Vent, indtil klingens er standset, inden De fjerner afskåret materiale.** Klingens fortsætter med at rotere, efter at der er slukket for maskinen.
3. **Undgå at skære i søm. Se efter, om der er søm i tømmeret, og fjern alle søm, inden skæringen påbegyndes.**
4. **Anbring den bredeste del af savgrundpladen på den del af arbejdsområdet, som er solidt understøttet, ikke på den del, som vil falde af, når skæringen er fuldført. Hvis arbejdsområdet er kort eller lille, skal det spændes fast. FORSØG IKKE AT HOLDE KORTE ARBEJDSOMRÅDE FAST MED HÅNDEN!**

► Fig.5

5. **Inden De lægger maskinen fra Dem efter at have fuldført en skæring, skal De sikre Dem, at beskyttelsesskærmen er lukket, og at klingens er standset fuldstændigt.**
6. **Forsøg aldrig at save med rundsaven holdt på hovedet i en skruevinge. Dette er yderst farligt og kan føre til alvorlige ulykker.**

► Fig.6

7. **Noget materiale indeholder kemikalier, som kan være giftige. Vær påpasselig med ikke at indånde støv, og undgå hudkontakt. Følg fabrikantens sikkerhedsdata.**
8. **Stop ikke klingens med hjælp af lateralt tryk på savklingens.**
9. **Anvend ikke slibesliver.**
10. **Anvend kun savklinger med den diameter, der er markeret på maskinen eller specificeret i manualen.** Brug af en klinge med en forkert størrelse kan hindre korrekt afskærmning af klingens eller beskyttelsesskærmens funktion, hvilket kan medføre alvorlig personskade.
11. **Hold altid klingens skarp og ren.** Gummi og træbælg, som er stærknet på klingens, gør savens langsommere og øger risikoen for tilbageslag. Hold altid klingens ren ved først at tage den af maskinen og derefter rengøre den med en gummi- og begfjerner, varmt vand eller petroleum. Anvend aldrig benzin.
12. **Bær altid støvmaske og høreværn, når De anvender maskinen.**
13. **Brug altid en savklinge, der er beregnet til at skære i det materiale, du skal skære i.**
14. **Brug kun savklinger, der er mærket med en hastighed svarende til eller større end den hastighed, der er angivet på maskinen.**
15. **(Kun for lande i Europa)**
Brug altid en klinge, der overholder EN847-1.

GEM DISSE FORSKRIFTER.

⚠ ADVARSEL: LAD IKKE bekvemmelighed eller kendskab til produktet (opnået gennem gentagen brug) forhindre, at sikkerhedsforskrifterne for produktet nøje overholdes. MISBRUG eller forsømmelse af at følge de i denne brugsvejledning givne sikkerhedsforskrifter kan medføre alvorlig personskade.

Vigtige sikkerhedsinstruktioner for akkuen

1. **Læs alle instruktioner og advarselmærkater på (1) akku-opladeren, (2) akkuen og (3) produktet, som anvender akku.**
2. **Lad være med at skille akkuen ad.**
3. **Hold straks op med anvendelsen, hvis brugstiden er blevet stærkt afkortet. Fortsat anvendelse kan resultere i risiko for overophedning, forbrændinger og endog eksplosion.**
4. **Hvis De har fået elektrolytvæske i øjnene, skal De straks skylle den ud med rent vand og derefter øjeblikkeligt søge lægehjælp. I modsat fald kan De miste synet.**
5. **Vær påpasselig med ikke at komme til at kortslutte akkuen:**
 - (1) Rør ikke ved terminalerne med noget ledende materiale.
 - (2) Undgå at opbevare akkuen i en beholder sammen med andre genstande af metal, for eksempel søm, mønter og lignende.
 - (3) Udsæt ikke akkuen for vand eller regn. Kortslutning af akkuen kan forårsage en kraftig øgning af strømmen, overophedning, mulige forbrændinger og endog værktøjstop.

6. Opbevar ikke værktøjet og akkuen på et sted, hvor temperaturen kan nå eller overstige 50 °C.
7. Lad være med at brænde akkuen, selv ikke i tilfælde, hvor den har lidt alvorlig skade eller er fuldstændig udtjent. Akkuen kan eksplodere, hvis man forsøger at brænde den.
8. Lad være med at brænde akkuen eller udsætte den for stød.
9. Anvend ikke en beskadiget akku.
10. De indbyggede litium-ion-batterier er underlagt lovkrav vedrørende farligt gods. Ved kommerciel transport, f.eks. af tredjeparts transportselskaber, skal særlige krav til forpakning og mærkning overholdes. Ved forberedelse af udstyret til forsendelse skal du kontakte en ekspert i farligt gods. Overhold også eventuel mere detaljeret national lovgivning. Tape eller tildæk åbne kontakter, og pak batteriet på en måde, så det ikke kan flytte sig rundt i pakningen.
11. Følg de lokale love vedrørende bortskaffelsen af batterier.

GEM DENNE BRUGSANVISNING.

⚠FORSIGTIG: Brug kun originale batterier fra Makita. Brug af uoriginale Makita-batterier, eller batterier som er blevet ændret, kan muligvis medføre brud på batteriet, hvilket kan forårsage brand, personskade eller beskadigelse. Det ugyldiggør også Makita-garantien for Makita-maskinen og opladeren.

Tips til opnåelse af maksimal akku-levetid

1. Oplad akkuen, inden den er helt afladet. Stop altid værktøjet, og oplad akkuen, hvis De bemærker, at værktøjeffekten er aftagende.
2. Genoplad aldrig en fuldt opladet akku. Overopladning vil afkorte akkuens levetid.
3. Oplad akkuen ved stuetemperatur ved 10 °C - 40 °C. Lad altid en varm akku få tid til at køle af, inden den oplades.
4. Oplad akkuen, hvis De ikke skal bruge den i længere tid (mere end seks måneder).

Vigtige sikkerhedsinstruktioner for trådløs enhed

1. Undlad at adskille eller ændre den trådløse enhed.
2. Opbevar den trådløse enhed utilgængeligt for små børn. Søg øjeblikkeligt læge, hvis den sluges ved et uheld.
3. Brug kun den trådløse enhed sammen med maskiner fra Makita.
4. Udsæt ikke den trådløse enhed for regn eller våde omgivelser.
5. Brug ikke den trådløse enhed på steder, hvor temperaturen overskrider 50 °C.
6. Brug ikke den trådløse enhed i nærheden af medicinske instrumenter som f.eks. pacemakere.
7. Brug ikke den trådløse enhed i nærheden af automatiske enheder. Hvis den bruges, kan automatiske enheder udvikle fejlfunktion eller fejl.

8. Den trådløse enhed kan frembringe elektromagnetiske felter (EMF), men de er ikke skadelige for brugeren.
9. Den trådløse enhed er et præcisionsinstrument. Undgå at tabe eller slå på den trådløse enhed.
10. Undgå at berøre terminalen på den trådløse enhed med de bare hænder eller metalliske materialer.
11. Tag altid batteriet ud af maskinen, når den trådløse enhed monteres.
12. Når låget på åbningen åbnes, skal du undgå steder, hvor der kan komme støv eller vand ind i åbningen. Hold altid indgangen til åbningen ren.
13. Indsæt altid den trådløse enhed i den rigtige retning.
14. Undgå at trykke for hårdt på den trådløse aktiveringsknap på den trådløse enhed og/eller at trykke på knappen med en genstand med en skarp kant.
15. Luk altid låget på åbningen under brug.
16. Undlad at fjerne den trådløse enhed fra åbningen, når der er sluttet strøm til maskinen. Hvis du gør dette, kan det medføre funktionsfejl i den trådløse enhed.
17. Undlad at fjerne etiketten på den trådløse enhed.
18. Undlad at sætte nogen etiket på den trådløse enhed.
19. Lad ikke den trådløse enhed ligge på steder, hvor der kan genereres statisk elektricitet eller elektrisk støj.
20. Lad ikke den trådløse enhed ligge på steder, der er udsat for høj varme, for eksempel en bil, der står i solen.
21. Lad ikke den trådløse enhed ligge på et sted med støv eller pulver eller på et sted, hvor der kan udvikles ætsende gas.
22. En pludselig temperaturændring kan forårsage dug på den trådløse enhed. Brug ikke den trådløse enhed, før duggen er tørret helt bort.
23. Ved rengøring af den trådløse enhed skal den aftørres forsigtigt med en tør, blød klud. Brug ikke rensbenzin, fortynder, ledende fedtstof eller lignende.
24. Ved opbevaring af den trådløse enhed skal den opbevares i den medfølgende æske eller i en beholder, der er fri for statisk elektricitet.
25. Indsæt ikke andre enheder end den trådløse enhed fra Makita i åbningen på maskinen.
26. Undlad at bruge maskinen, hvis låget til åbningen er beskadiget. Vand, støv og snavs, der kommer ind i åbningen, kan forårsage fejlfunktion.
27. Undlad at trække og/eller vride låget til åbningen mere end nødvendigt. Sæt låget på igen, hvis det falder af maskinen.
28. Udsift låget til åbningen, hvis det bliver væk eller ødelægges.

GEM DISSE FORSKRIFTER.

FUNKTIONSBESKRIVELSE

⚠️ FORSIGTIG: Sørg altid for at maskinen er slukket, og at akkuen er taget ud, før der udføres justering eller kontrol af funktioner på maskinen.

Isætning eller fjernelse af akkuen

⚠️ FORSIGTIG: Sluk altid for værktøjet, før De monterer eller fjerner akkuen.

⚠️ FORSIGTIG: Hold værktøjet og akkuen fast ved montering eller fjernelse af akkuen. Hvis De ikke holder værktøjet og akkuen fast, kan de glide ud af hænderne på Dem og forårsage beskadigelse af værktøjet og akkuen eller personskaade.

► Fig.7: 1. Rød indikator 2. Knap 3. Akku

Akkuen fjernes ved, at De trækker den ud af værktøjet, idet De skyder knappen på forsiden af akkuen i stilling.

Akkuen monteres ved, at De sætter tungen på akkuen ud for noten i kabinettet og lader den glide på plads. Sæt den hele vejen ind, så den låses på plads med et lille klik. Hvis den røde indikator på oversiden af knappen er synlig, betyder det, at den ikke er tilstrækkeligt låst.

⚠️ FORSIGTIG: Monter altid akkuen helt, indtil den røde indikator ikke længere er synlig. Hvis dette ikke gøres, kan den falde ud af værktøjet ved et uheld, hvorved De selv eller personer i nærheden kan komme til skade.

⚠️ FORSIGTIG: Brug ikke magt ved montering af akkuen. Hvis akkuen ikke glider på plads uden problemer, betyder det, at den ikke sættes i på korrekt vis.

BEMÆRK: Maskinen fungerer ikke med kun én akku.

Beskyttelsessystem til værktøj/batteri


Værktøjet er forsynet med et beskyttelsessystem til værktøj/batteri. Dette system afbryder automatisk strømmen til motoren for at forlænge levetiden for værktøjet og batteriet. Værktøjet stopper automatisk under driften, hvis det eller batteriet kommer i en af følgende situationer. I nogle tilfælde lyser indikatorerne.

Overbelastningsbeskyttelse

Hvis maskinen bruges på en måde, der får den til at trække en unormalt høj strøm, stopper maskinen automatisk. I denne situation skal du slukke for maskinen og stoppe den anvendelse, som bevirkede, at maskinen blev overbelastet. Tænd derefter for maskinen for at starte igen.

Beskyttelse mod overophedning

Hvis maskinen er overophedet, stopper maskinen automatisk, og akku-indikatoren blinker i cirka 60 sekunder. Lad i så fald maskinen køle ned, før der tændes for maskinen igen.

| | |
|---|---|
| <input checked="" type="checkbox"/> Tændt | <input checked="" type="checkbox"/> Blinker |
|  | |








Beskyttelse mod afladning

Når batteriladningen bliver for lav, stopper værktøjet automatisk. Hvis produktet ikke fungerer, selvom kontakterne betjenes, skal De tage batterierne ud af værktøjet og lade batterierne op.

Indikation af den resterende batteriladning

► Fig.8: 1. Batteriindikator (for det øverste batteri) 2. Kontrolknop 3. Batteriindikator (for det nederste batteri)

Tryk på kontrolknappen for at få vist de resterende batteriladning. Batteriindikatorerne svarer til hvert enkelt batteri.









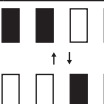
| Status på batteriindikator | | | Resterende batteriladning |
|---|---|---|---------------------------|
|  Tændt |  Slukket |  Blinker | |
|  | | | 50% til 100% |
|  | | | 20% til 50% |
|  | | | 0% til 20% |
|  | | | Genoplad batteriet |

Indikation af den resterende batteriladning

Kun til akkuer med indikatoren

► Fig.9: 1. Indikatorlamper 2. Kontrolknop

Tryk på kontrolknappen på akkuen for at få vist den resterende batteriladning. Indikatorlampen lyser i nogle sekunder.

| Indikatorlamper | | | Resterende ladning |
|---|---|---|-----------------------------------|
|  Tændt |  Slukket |  Blinker | |
|  | | | 75% til 100% |
|  | | | 50% til 75% |
|  | | | 25% til 50% |
|  | | | 0% til 25% |
|  | | | Genoplad batteriet. |
|  | | | Der er muligvis fejl i batteriet. |

BEMÆRK: Afhængigt af brugsforholdene og den omgivende temperatur kan indikationen afvige en smule fra den faktiske ladning.

Funktion til automatisk hastighedsændring

BEMÆRK: Funktionen til automatisk hastighedsændring er kun tilgængelig, når hastighedsvælgeren står på 5.




Denne maskine har en "høj hastighedstilstand" og en "høj momenttilstand".

Maskinen skifter automatisk funktionstilstand afhængigt af arbejdsbelastningen. Hvis arbejdsbelastningen er lav, kører maskinen i "høj hastighedstilstand" for hurtigere skæringsfunktion. Hvis arbejdsbelastningen er høj, kører maskinen i "høj momenttilstand" for kraftig skæringsfunktion.

► **Fig.10:** 1. Tilstandsindikator

Tilstandsindikatoren lyser grønt, når maskinen kører i "høj momenttilstand".

Hvis maskinen anvendes ved for stor belastning, blinker tilstandsindikatoren grønt. Tilstandsindikatoren holder op med at blinke og lyser derefter eller slukkes, hvis du reducerer belastningen på maskinen.

| Status for tilstandsindikator | | | Funktionstilstand |
|-------------------------------|---|-----------|----------------------------|
| ● Tændt | ○ Slukket | ● Blinker | |
| |  | | Høj hastighedstilstand |
| |  | | Høj momenttilstand |
| |  | | Advarsel om overbelastning |

Justering af skæredybde

⚠ FORSIGTIG: Spænd altid spændeskruen forsvarligt til efter justering af skæredybden.

Løsn spændeskruen på dybdeguiden, og flyt stopperen for nedre klingegrænse til den ønskede dybde på skalapladen. Spænd spændeskruen forsvarligt til ved den ønskede skæredybde.

Renere og sikrere snit kan opnås, hvis man indstiller skæredybden således, at ikke flere end en enkelt savtand stikker ud under arbejdsstykket. Anvendelse af en rigtig skæredybde bidrager til at reducere risikoen for farlige TILBAGESLAG, som kan medføre personskade.

► **Fig.11:** 1. Stopper for nedre klingegrænse
2. Spændeskruer

Hurtigstopknop til 2 til 3 mm snitdybde ved brug af styreskinne (ekstraudstyr)

Denne maskine har en hurtigstopknop til 2 til 3 mm snitdybde på gearhuset ved siden af baghåndtaget, når styreskinnen anvendes. Den bruges til at undgå splinter på arbejdsområdet i snittet. Foretag et arbejdsområde af det 2 til 3 mm første snit, og foretag derefter endnu et arbejdsområde af det normale snit.

► **Fig.12:** 1. Hurtigstopknop

For at opnå snitdybden på 2 til 3 mm skal du trykke hurtigstopknappen mod savklingen. Dette er praktisk for at undgå splinter på arbejdsområdet.

For at frigøre snitdybden fra denne position for at opnå en fri snitdybde skal du blot trække knappen tilbage.

Skråsnit

Løsn spændeskruerne. Indstil til den ønskede vinkel ved at udføre den rigtige hældning, og stram derefter spændeskruerne godt til.

► **Fig.13:** 1. Spændeskruer 2. Skalaplade til skråsnit

► **Fig.14:** 1. Undergrundplade (Ekstraudstyr)
2. Spændeskruer

Positiv stopper

Den positive stopper er nyttig til hurtig indstilling af den ønskede vinkel. Drej den positive stopper, så pilen på den peger på 22,5°. Løsn spændeskruerne foran og bagpå. Vip derefter klingens, indtil den stopper, og fastgør grundpladen ved hjælp af spændeskruerne.

► **Fig.15:** 1. Positiv stopper 2. Spændeskruer

48° skråsnit

Hvis du vil foretage et 48° skråsnit, skal du løsne spændeskruerne og vippe håndtaget i pilens retning på figuren. Indstil derefter skråsnitsvinklen til 48°, og stram spændeskruerne.

► **Fig.16:** 1. Håndtag

-1° skråsnit

Hvis du vil foretage et -1° skråsnit, skal du løsne spændeskruerne og trykke håndtagene i pilens retning på figuren. Indstil derefter skråsnitsvinklen til -1°, og stram spændeskruerne.

► **Fig.17:** 1. Håndtag

Indstilling

► **Fig.18:** 1. Grundplade

Skærelinjen varierer afhængigt af skæringsvinklen, og om du bruger styreskinnen (ekstraudstyr).

Ved brug af maskinen uden styreskinne

Ved lige snit rettes A-positionen på forkanten af grundpladen ind efter skærelinjen. Ved 45° skråsnit rettes B-positionen ind efter den.

Ved brug af maskinen med styreskinne

Ved både lige snit og 45° skråsnit rettes A-positionen på forkanten af grundpladen altid ind efter skærelinjen.

Afbryderbetjening

⚠ ADVARSEL: Inden akkuen sættes i maskinen, bør De altid kontrollere, at afbryderknappen fungerer korrekt, og returnerer til "OFF"-positionen, når den slippes.

⚠ ADVARSEL: Omgå ALDRIG lås fra-knappens funktion ved at tape den fast eller på andre måder. En afbryder med en blokeret lås fra-knap kan medføre utilsigtet funktion og alvorlig personskade.

⚠ ADVARSEL: Brug ALDRIG maskinen, hvis den kører, når du blot trykker på afbryderknappen uden at trykke på lås fra-knappen. En afbryder, der skal repareres, kan medføre utilsigtet funktion og alvorlig personskade. Returner maskinen til et Makita-servicecenter for nødvendige reparationer INDEN yderligere brug.

For at forhindre utilsigtet indtrykning af afbryderknappen er maskinen udstyret med en lås fra-knap. For at starte maskinen skal man trykke lås fra-knappen ind og trykke på afbryderknappen. Slip afbryderknappen for at stoppe.

► Fig.19: 1. Afbryderknap 2. Lås fra-knap

BEMÆRKNING: Tryk ikke hårdt på afbryderkontakten uden først at trykke aflåseknappen ind. Dette kan ødelægge afbryderkontakten.

Hastighedsvælger

Maskinens hastighed kan ændres ved at dreje på hastighedsvælgeren. Klingens rotationshastighed øges, når du øger tallet på hastighedsvælgeren.

► Fig.20: 1. Hastighedsvælger

Se i tabellen for at vælge den rigtige hastighed til det arbejdsemne, der skal skæres i. Den rigtige hastighed kan dog afhænge af arbejdsemnets type eller tykkelse. Med en højere hastighed kan du som regel skære hurtigere i arbejdsemner, men klingens levetid forringes.

| Tal | Klingens rotationshastighed pr. minut (min^{-1}) |
|-----|---|
| 1 | 2.500 min^{-1} |
| 2 | 2.900 min^{-1} |
| 3 | 3.900 min^{-1} |
| 4 | 4.900 min^{-1} |
| 5 | 6.300 min^{-1} |

⚠ FORSIGTIG: Hastighedsvælgeren er ikke beregnet til at bruge savklinger, som er beregnet til lav hastighed, men til at opnå en hastighed, der passer til arbejdsemnets materiale. Brug kun savklinger, der er beregnet til mindst den maksimale hastighed uden belastning, som fremgår af SPECIFIKATIONER.

BEMÆRKNING: Hastighedsvælgeren kan kun drejes så langt som til 5 og tilbage til 1. Undlad at tvinge den forbi 5 eller 1, da hastighedsvælgerfunktionen muligvis ellers ikke længere vil fungere.

Elektronisk funktion

Maskiner, der er udstyret med elektronisk funktion, er nemme at betjene på grund af følgende funktioner.

Overbelastningsbeskyttelse

Når maskinen er overbelastet, og strømstyrken er over et vist niveau, stopper maskinen automatisk for at beskytte motoren.

Konstant hastighedskontrol

Elektronisk hastighedskontrol til at sikre konstant hastighed. Det er muligt at få en pæn finish, fordi omdrejningshastigheden holdes konstant selv under belastning.

Funktion til blød start

Blød start, fordi ryk ved start dæmpes.

SAMLING

⚠ FORSIGTIG: Sørg altid for at maskinen er slukket, og at akkuen er taget ud, før der udføres noget arbejde på maskinen.

Opbevaring af unbrakonøgle

Når unbrakonøglen ikke anvendes, skal den opbevares som vist på illustrationen, så den ikke bortkommer.

► Fig.21: 1. Unbrakonøgle

Afmontering eller montering af rundsavsklinge

⚠ FORSIGTIG: Sørg for at montere rundsavsklingen med dens tænder vendende opad på den forreste del af maskinen.

⚠ FORSIGTIG: Anvend kun Makita-nøglen til montering og afmontering af rundsavsklingen.

Sådan fjernes rundsavsklingen:

1. Tryk lås fra-knappen ned, og sænk håndtaget en smule. Drej låsehåndtaget, og sænk håndtaget, indtil låsestiften passer i hullet.

► Fig.22: 1. Lås fra-knap 2. Låsehåndtag 3. Låsestift 4. Hul til låsestift

2. Tryk skaftlåsen helt ind, så klingens ydre flange ikke kan dreje rundt, og brug sekskantnøglen til at løsne sekskantbolten.

► Fig.23: 1. Skaftlås 2. Sekskantnøgle 3. Stram 4. Løsn

3. Fjern sekskantbolten, den ydre flange og rundsavsklingen.

► Fig.24: 1. Sekskantbolt 2. Ydre flange 3. Indre flange 4. Rundsavsklinge

⚠ ADVARSEL: Hvis den indre flange fjernes, skal du sørge for at montere den på spindlen. Under monteringen skal du vælge den rigtige side, hvor fremspringet passer perfekt ind i hullet på savklingen. Hvis klingens indre flange monteres på den forkerte side, kan det medføre farlig vibration.

For at montere rundsavsklingen skal du følge proceduren for afmontering i modsat rækkefølge. Tryk på lås fra-knappen for at frigøre låsestiften fra hullet.

⚠ ADVARSEL: SØRG FOR AT STRAMME SEKSKANTBOLTEN GODT TIL. Pas også på ikke at tilspænde bolten for kraftigt. Hvis din hånd glider af sekskantnøglen, kan det medføre personska-

Rengøring af beskyttelseskærmen

Når rundsavsklingen udskiftes, skal du også sørge for at rengøre beskyttelseskærmen for ophobet savsmuld som omtalt i afsnittet Vedligeholdelse. Sådanne tiltag erstatter ikke nødvendigheden af at kontrollere beskyttelseskærmens funktion inden hver brug.

Tilslutning af en støvsuger

Ekstraudstyr

Når du ønsker at udføre savning, uden at det snavser så meget, kan du tilslutte en Makita-støvsuger til maskinen. Slut støvsugerens slange til støvmundstykket ved hjælp af den forreste manchete 24.

► **Fig.25:** 1. Støvsugerens slange 2. Forreste manchete 24 3. Støvmundstykke

ANVENDELSE

⚠ FORSIGTIG: Sørg for at føre maskinen forsigtigt frem i en lige linje. Hvis maskinen tvinges eller drejes, vil resultatet blive overophedning af motoren og farligt tilbageslag med risiko for alvorlig personska-

⚠ FORSIGTIG: Placer aldrig nogen del af din krop under maskinens grundplade under sektionsskæring, især ved start. Hvis du gør det, kan det medføre alvorlig personska- klingen er blottet under maskinens grundplade.

BEMÆRK: Når akkuens temperatur er lav, arbejder maskinen muligvis ikke med fuld kapacitet. På dette tidspunkt kan du for eksempel anvende maskinen til et lettere snit i et stykke tid, indtil akkuen bliver lige så varm som rumtemperaturen. Derefter kan maskinen arbejde med dens fulde kapacitet.

Sektionsskæring (almindelig savning)

► **Fig.26**

Hold godt fast i maskinen. Maskinen er udstyret med både et fronthåndtag og et baghåndtag. Anvend begge, så det bedste greb om maskinen opnås. Hvis du holder i saven med begge hænder, kan du ikke skære hænderne på rundsavsklingen. Indstil grundpladen på arbejdsområdet til skæring, uden at rundsavsklingen kommer i kontakt. Tryk derefter på lås fra-knappen, og tryk på afbryderknappen. Vent, til rundsavsklingen når fuld hastighed. Tryk nu savhovedet langsomt ned til den forudindstillede snitdybde, og flyt helt enkelt maskinen fremad over arbejdsområdets overflade, idet den holdes fladt og føres jævnt fremad, indtil savningen er færdig.

For at opnå rene snit skal du holde savelinjen lige og fremførehastigheden jævn. Hvis snittet ikke følger din planlagte skærelinje på korrekt vis, må du ikke forsøge at dreje eller tvinge maskinen tilbage til skærelinjen. Dette kan lase rundsavsklingen og medføre farlige tilbageslag og muligvis alvorlig personska-

de. Slip afbryderen, og vent, til rundsavsklingen er stoppet, og træk derefter maskinen tilbage. Juster maskinen med den nye skærelinje, og begynd at save igen. Prøv at undgå en placering, der udsætter operatøren for spåner og savsmuld, som frembringes af saven. Anvend øjenbeskyttelse, så tilskadekomst undgås.

Styreskinne

Ekstraudstyr

Placer maskinen på styreskinnens bagende. Drej to justeringskruer på maskinens grundplade, så maskinen glider jævnt uden at klapre. Hold godt fast i både fronthåndtaget og baghåndtaget på maskinen. Tænd for maskinen, tryk maskinen ned til den forudindstillede snitdybde, og skær overfladebeskytteren i hele længden i én arbejdsgang. Nu svarer kanten af overfladebeskytteren til skærekanten.

► **Fig.27:** 1. Justeringskruer

Når du foretager skrånit med styreskinnen, skal du bruge glidehåndtaget til at forhindre, at maskinen vælter. Flyt glidehåndtaget på maskinens grundplade i pilens retning, så det griber fat i den underskærne rille på styreskinnen.

► **Fig.28:** 1. Glidehåndtag

Undergrundplade (styrepind)

Ekstraudstyr

Hvis du bruger undergrundpladen som styrepind, kan du foretage ekstra præcise lige snit. Løsn spændeskruerne, og skub undergrundpladen ud fra maskinen, og indsæt den derefter med bunden i vejret.

► **Fig.29:** 1. Spændeskruer 2. Undergrundplade

Skub helt enkelt anslaget på undergrundpladen op mod siden af arbejdsområdet, og fastgør det på stedet med spændeskruerne. Det muliggør også gentagne snit med ens bredde.

► **Fig.30:** 1. Spændeskruer 2. Undergrundplade

Stikskæring (udskæring)

⚠ ADVARSEL: Sørg for at overholde følgende instruktioner for at undgå tilbageslag.

► **Fig.31:** 1. Bageste kant af maskinens grundplade 2. Fast stop

Når maskinen anvendes uden styreskinne, placeres maskinen på arbejdsområdet med bagkanten af maskinens grundplade mod et fast stop eller lignende, som en operatør fremstiller.

Når maskinen anvendes med styreskinne, placeres maskinen på styreskinnen med bagkanten af maskinens grundplade mod et fast stop eller lignende, som er spændt på styreskinnen.

Hold godt fast i maskinen med den ene hånd på fronthåndtaget og den anden på maskinens håndtag. Tryk derefter lås fra-knappen ind, og tænd for maskinen, og vent, til klingen har nået fuld hastighed. Tryk nu savhovedet langsomt ned til den forudindstillede snitdybde, og flyt helt enkelt maskinen fremad til den ønskede stikposition.

BEMÆRK: Mærkerne på siden af beskyttelseskærmen viser savklingens absolutte forreste og bageste snitpunkter ved den maksimale snitdybde, når styreskinnen anvendes.

► **Fig.32:** 1. Forreste snitpunkt 2. Bageste snitpunkt

Styreenhed

Ekstraudstyr

Brug af skråstyre gør det muligt at foretage nøjagtige geringsnit med vinkler og fittingarbejder. Brug af spændet sikrer, at arbejdsemnet holdes fast på bordet.

TRÅDLØS AKTIVERINGSFUNKTION

Kun for DSP601

Hvad kan du foretage dig med den trådløse aktiveringsfunktion

Den trådløse aktiveringsfunktion muliggør ren og behagelig anvendelse. Hvis der slutes en understøttet støvsuger til maskinen, kan du lade støvsugeren køre automatisk, når kontakten på maskinen betjenes.

► **Fig.33**

Hvis du vil bruge den trådløse aktiveringsfunktion, skal du forberede følgende genstande:

- En trådløs enhed
- En støvsuger, der understøtter den trådløse aktiveringsfunktion

Følgende er et overblik over indstilling af den trådløse aktiveringsfunktion. Se de enkelte afsnit for detaljerede procedurer.

1. Montering af en trådløs enhed
2. Maskinregistrering til støvsugeren
3. Start af den trådløse aktiveringsfunktion

Montering af en trådløs enhed

⚠FORSIGTIG: Placer maskinen på en flad og stabil overflade, når den trådløse enhed monteres.

BEMÆRKNING: Fjern støv og snavs fra maskinen, før den trådløse enhed monteres. Støv eller snavs kan forårsage funktionsfejl, hvis det kommer ind i åbningen til den trådløse enhed.

BEMÆRKNING: For at forhindre fejlfunktion forårsaget af statisk elektricitet skal du berøre et statisk afledende materiale som f.eks. en metaldele på maskinen, før du tager den trådløse enhed op.

BEMÆRKNING: Ved montering af den trådløse enhed skal du altid sikre dig, at den trådløse enhed er indsat i den korrekte retning, og at låget er lukket helt.

1. Åbn låget på maskinen som vist på figuren.

► **Fig.34:** 1. Låg

2. Indsæt den trådløse enhed i åbningen, og luk derefter låget.

Ved indsættelse af den trådløse enhed skal fremspringene justeres i forhold til de forsænkede dele på åbningen.

► **Fig.35:** 1. Trådløs enhed 2. Fremspring 3. Låg 4. Forsænket del

Ved fjernelse af den trådløse enhed åbnes låget langsomt. Krogene bag på låget løfter den trådløse enhed, når du trækker låget op.

► **Fig.36:** 1. Trådløs enhed 2. Krog 3. Låg

Når den trådløse enhed er fjernet, skal den opbevares i den medfølgende æske eller i en beholder, der er fri for statisk elektricitet.

BEMÆRKNING: Brug altid krogene bag på låget ved fjernelse af den trådløse enhed. Hvis krogene ikke griber fat i den trådløse enhed, skal du lukke låget helt og åbne det langsomt igen.

Maskinregistrering til støvsugeren

BEMÆRK: Du skal bruge en Makita-støvsuger, der understøtter den trådløse aktiveringsfunktion, til maskinregistreringen.

BEMÆRK: Afslut monteringen af den trådløse enhed på maskinen, før maskinregistreringen startes.

BEMÆRK: Under maskinregistreringen må du ikke trykke på afbryderknappen eller tænde for hovedafbryderen på støvsugeren.

BEMÆRK: Se også i brugsanvisningen til støvsugeren.

Hvis du vil aktivere støvsugeren, når kontakten på maskinen betjenes, skal du først afslutte maskinregistreringen.

1. Sæt batterierne i støvsugeren og maskinen.
2. Sæt standby-kontakten på støvsugeren til "AUTO".

► **Fig.37:** 1. Standby-kontakt

3. Tryk på den trådløse aktiveringsknap på støvsugeren i 3 sekunder, indtil den trådløse aktiveringslampe blinker grønt. Tryk derefter på den trådløse aktiveringsknap på maskinen på samme måde.

► **Fig.38:** 1. Trådløs aktiveringsknap 2. Trådløs aktiveringslampe

Hvis støvsugeren og maskinen sammenkædes korrekt, lyser de trådløse aktiveringslamper grønt i 2 sekunder og begynder at blinke blåt.

BEMÆRK: De trådløse aktiveringslamper holder op med at blinke grønt efter 20 sekunder. Tryk på den trådløse aktiveringsknap på maskinen, når den trådløse aktiveringslampe på støvsugeren blinker. Hvis den trådløse aktiveringslampe ikke blinker grønt, skal du trykke kortvarigt på den trådløse aktiveringsknap og holde den nede igen.

BEMÆRK: Når der udføres to eller flere maskinregistreringer for én støvsuger, skal maskinregistreringerne udføres en for en.

Start af den trådløse aktiveringsfunktion

BEMÆRK: Afslut maskinregistreringen for støvsugeren før den trådløse aktivering.

BEMÆRK: Se også i brugsanvisningen til støvsugeren.

Når en maskine er registreret til støvsugeren, kører støvsugeren automatisk, når kontakten på maskinen betjenes.

1. Monter den trådløse enhed på maskinen.

2. Slut støvsugerens slange til maskinen.

► **Fig.39**

3. Sæt standby-kontakten på støvsugeren til "AUTO".

► **Fig.40:** 1. Standby-kontakt

4. Tryk kortvarigt på den trådløse aktiveringsknop på maskinen. Den trådløse aktiveringslampe blinker blåt.

► **Fig.41:** 1. Trådløs aktiveringsknop 2. Trådløs aktiveringslampe

5. Tryk på maskinens afbryderknop. Kontroller, om støvsugeren kører, når der trykkes på afbryderknappen.

Tryk på den trådløse aktiveringsknop på maskinen for at stoppe den trådløse aktivering af støvsugeren.

BEMÆRK: Den trådløse aktiveringslampe på maskinen holder op med at blinke blåt, hvis der ikke sker nogen betjening i 2 timer. Indstil i så fald standby-kontakten på støvsugeren til "AUTO", og tryk på den trådløse aktiveringsknop på maskinen igen.

BEMÆRK: Støvsugeren starter/stopper med en forsinkelse. Der er en forsinkelse, når støvsugeren registrerer en betjening af kontakten på maskinen.

BEMÆRK: Den trådløse enheds transmissionsafstand kan variere afhængigt af placeringen og de omgivende forhold.

BEMÆRK: Når to eller flere maskiner er registreret til én støvsuger, begynder støvsugeren muligvis at køre, selvom du ikke trykker på afbryderknappen, fordi en anden bruger anvender den trådløse aktiveringsfunktion.

Beskrivelse af den trådløse aktiveringslampes status

► **Fig.42:** 1. Trådløs aktiveringslampe

Den trådløse aktiveringslampe viser status for den trådløse aktiveringsfunktion. Se i tabellen nedenfor vedrørende betydningen af lampens status.

| Status | Trådløs aktiveringslampe | | | Varighed | Beskrivelse |
|-------------------------------|--------------------------|-------------------------------------|----------------------------------|---------------------|---|
| | Farve | <input type="checkbox"/> Tændt | <input type="checkbox"/> Blinker | | |
| Standby | Blå | <input checked="" type="checkbox"/> | | 2 timer | Den trådløse aktivering af støvsugeren er tilgængelig. Lampen slukkes automatisk, hvis der ikke sker nogen betjening i 2 timer. |
| | | <input type="checkbox"/> | | Når maskinen kører. | Den trådløse aktivering af støvsugeren er tilgængelig, og maskinen kører. |
| Maskinregistrering | Grøn | <input checked="" type="checkbox"/> | | 20 sekunder | Klar til maskinregistrering. Venter på registrering fra støvsugeren. |
| | | <input type="checkbox"/> | | 2 sekunder | Maskinregistreringen er fuldført. Den trådløse aktiveringslampe begynder at blinke blåt. |
| Annullerer maskinregistrering | Rød | <input checked="" type="checkbox"/> | | 20 sekunder | Klar til annullering af maskinregistrering. Venter på annullering fra støvsugeren. |
| | | <input type="checkbox"/> | | 2 sekunder | Annulleringen af maskinregistreringen er fuldført. Den trådløse aktiveringslampe begynder at blinke blåt. |
| Andre | Rød | <input type="checkbox"/> | | 3 sekunder | Der er strøm til den trådløse enhed, og den trådløse aktiveringsfunktion starter. |
| | Slukket | - | | - | Den trådløse aktivering af støvsugeren er stoppet. |

Annullerer maskinregistrering for støvsugeren

Benyt følgende fremgangsmåde ved annullering af maskinregistreringen for støvsugeren.

1. Sæt batterierne i støvsugeren og maskinen.

2. Sæt standby-kontakten på støvsugeren til "AUTO".

► **Fig.43:** 1. Standby-kontakt

3. Tryk på den trådløse aktiveringsknop på støvsugeren i 6 sekunder. Den trådløse aktiveringslampe blinker grønt og bliver derefter rød. Tryk derefter på den trådløse aktiveringsknop på maskinen på samme måde.

► **Fig.44:** 1. Trådløs aktiveringsknop 2. Trådløs aktiveringslampe

Hvis annulleringen gennemføres korrekt, lyser de trådløse aktiveringslamper rødt i 2 sekunder og begynder at blinke blåt.

BEMÆRK: De trådløse aktiveringslamper holder op med at blinke rødt efter 20 sekunder. Tryk på den trådløse aktiveringsknop på maskinen, når den trådløse aktiveringslampe på støvsugeren blinker. Hvis den trådløse aktiveringslampe ikke blinker rødt, skal du trykke kortvarigt på den trådløse aktiveringsknop og holde den nede igen.

Fejlfinding i forbindelse med den trådløse aktiveringsfunktion

Udfør selv en inspektion, inden De anmoder om reparation. Hvis De opdager et problem, som ikke er forklaret i brugsanvisningen, må De ikke forsøge at adskille maskinen. Rådfør Dem i stedet med et autoriseret Makita Servicecenter, og brug altid originale Makita udskiftningsdele til reparationer.

| Unormal tilstand | Sandsynlig årsag (fejl) | Afhjælpning |
|---|--|--|
| Den trådløse aktiveringslampe tændes/blinker ikke. | Den trådløse enhed er ikke monteret på maskinen. Den trådløse enhed er ikke monteret korrekt på maskinen. | Monter den trådløse enhed korrekt. |
| | Terminalen på den trådløse enhed og/eller åbningen er snavset. | Aftør forsigtigt støv og snavs på terminalen på den trådløse enhed, og rengør åbningen. |
| | Der er ikke trykket på den trådløse aktiveringsknap på maskinen. | Tryk kortvarigt på den trådløse aktiveringsknap på maskinen. |
| | Standby-kontakten på støvsugeren er ikke indstillet til "AUTO". | Sæt standby-kontakten på støvsugeren til "AUTO". |
| | Ingen strømforsyning | Tilfør strøm til maskinen og støvsugeren. |
| Kan ikke afslutte maskinregistrering/annullering af maskinregistrering korrekt. | Den trådløse enhed er ikke monteret på maskinen. Den trådløse enhed er ikke monteret korrekt på maskinen. | Monter den trådløse enhed korrekt. |
| | Terminalen på den trådløse enhed og/eller åbningen er snavset. | Aftør forsigtigt støv og snavs på terminalen på den trådløse enhed, og rengør åbningen. |
| | Standby-kontakten på støvsugeren er ikke indstillet til "AUTO". | Sæt standby-kontakten på støvsugeren til "AUTO". |
| | Ingen strømforsyning | Tilfør strøm til maskinen og støvsugeren. |
| | Forkert betjening | Tryk kortvarigt på den trådløse aktiveringsknap, og udfør procedurerne for maskinregistrering/annullering igen. |
| | Maskinen og støvsugeren er ikke i nærheden af hinanden (uden for transmissionsafstand). | Flyt maskinen og støvsugeren tættere på hinanden. Den maksimale transmissionsafstand er cirka 10 m, men kan variere afhængigt af forholdene. |
| | Før du fuldfører maskinregistrering/annullering, - der trykkes på afbryderknappen på maskinen, eller - der tændes på hovedafbryderen på støvsugeren. | Tryk kortvarigt på den trådløse aktiveringsknap, og udfør procedurerne for maskinregistrering/annullering igen. |
| | Maskinregistreringsprocedurerne på maskinen eller støvsugeren er ikke fuldført. | Gennemfør maskinregistreringsprocedurerne både på maskinen og støvsugeren på samme tid. |
| Radiointerferens fra andre apparater, der udsender højintens radiobølger. | Hold maskinen og støvsugeren væk fra apparater som f.eks. Wi-Fi-enheder og mikrobølgeovne. | |

| Unormal tilstand | Sandsynlig årsag (fejl) | Afhjælpning |
|--|--|--|
| Støvsugerens kører ikke, når kontakten på maskinen betjenes. | Den trådløse enhed er ikke monteret på maskinen. Den trådløse enhed er ikke monteret korrekt på maskinen. | Monter den trådløse enhed korrekt. |
| | Terminalen på den trådløse enhed og/eller åbningen er snavset. | Aftør forsigtigt støv og snavs på terminalen på den trådløse enhed, og rengør åbningen. |
| | Der er ikke trykket på den trådløse aktiveringsknop på maskinen. | Tryk kortvarigt på den trådløse aktiveringsknop, og kontroller, at den trådløse aktiveringslampe blinker blåt. |
| | Standby-kontakten på støvsugerens er ikke indstillet til "AUTO". | Sæt standby-kontakten på støvsugerens til "AUTO". |
| | Der er registreret mere end 10 maskiner til støvsugerens. | Udfør maskinregistreringen igen. Hvis der er registreret mere end 10 maskiner til støvsugerens, bliver den maskine, der blev registreret tidligst, automatisk annulleret. |
| | Støvsugerens har slettet alle maskinregistreringer. | Udfør maskinregistreringen igen. |
| | Ingen strømforsyning | Tilfør strøm til maskinen og støvsugerens. |
| | Maskinen og støvsugerens er ikke i nærheden af hinanden (uden for transmissionsafstand). | Flyt maskinen og støvsugerens tættere på hinanden. Den maksimale transmissionsafstand er cirka 10 m, men kan variere afhængigt af forholdene. |
| | Radiointerferens fra andre apparater, der udsender højintens radiobølger. | Hold maskinen og støvsugerens væk fra apparater som f.eks. Wi-Fi-enheder og mikrobølgeovne. |
| Støvsugerens kører, mens der ikke trykkes på maskinens afbryderknop. | Andre brugere anvender den trådløse aktivering af støvsugerens med deres maskiner. | Deaktiver den trådløse aktiveringsknop på de andre maskiner, eller annuller maskinregistreringen af de andre maskiner. |

VEDLIGEHOJDELSE

⚠ FORSIGTIG: Vær altid sikker på, at værktøjet er slukket, og at akkuen er taget ud, inden De begynder at udføre inspektion eller vedligeholdelse.

⚠ FORSIGTIG: Rengør beskyttelseskærm for at sikre, at der ikke er ophobet noget savsmuld, som kan hindre afskærmningssystemets funktion. Et beskidt afskærmningssystem kan begrænse den korrekte funktion, hvilket kan medføre alvorlig personskade. Den mest effektive måde at foretage denne rengøring på er med trykluft. Hvis støvet blæses ud af beskyttelseskærmen, skal du sørge for at anvende korrekt øjen- og åndedrætsbeskyttelse.

BEMÆRKNING: Anvend aldrig benzin, rensebenzin, fortynder, alkohol og lignende. Det kan medføre misfarvning, deformering eller revner.

Justering af nøjagtigheden af 0° snit og 45° snit

BEMÆRKNING: Undlad at aktivere håndtagene til -1° skråsnitsvinkel ved justering af nøjagtigheden af 0° snit.

BEMÆRKNING: Undlad at aktivere håndtaget til 48° skråsnitsvinkel ved justering af nøjagtigheden af 45° snit.

Disse justeringer er foretaget på fabrikken. Men hvis de er forkerte, kan du justere dem ved at benytte følgende fremgangsmåder.

- Løsn spændeskruerne foran og bag på maskinen let.
 - Justér klingevinklen.
- **Fig.45:** 1. Trekantlineal

For at justere nøjagtigheden af 0° snit skal du stille grundpladen vinkelret på klingens ved hjælp af en trekantlineal, firkantlineal osv. ved at dreje på justeringsbolten.

- **Fig.46:** 1. Justeringsbolt til 0° snit

For at justere nøjagtigheden af 45° snit skal du stille grundpladen i en vinkel på 45° i forhold til klingens ved hjælp af en trekantlineal ved at dreje på justeringsbolten.

- **Fig.47:** 1. Justeringsbolt til 45° snit

- Stram spændeskruerne, og foretag et testsnit.

For at opretholde produktets SIKKERHED og PÅLIDELIGHED må reparation, vedligeholdelse eller justering kun udføres af et autoriseret Makita servicecenter eller fabrikkens servicecenter med anvendelse af Makita reservedele.

EKSTRAUDSTYR

⚠️ FORSIGTIG: Det følgende tilbehør og ekstraudstyr er anbefalet til brug med Deres Makita maskine, der er beskrevet i denne brugsanvisning. Anvendelse af andet tilbehør eller ekstraudstyr kan udgøre en risiko for personskade. Anvend kun tilbehør og ekstraudstyr til det beskrevne formål.

Hvis De behøver hjælp ved valg af tilbehør eller ønsker yderligere informationer, bedes De kontakte Deres lokale Makita servicecenter.

- Rundsavsklinge
- Undergrundplade
- Unbrakonøgle
- Styreskinne
- Skråstyr
- Spænde
- Ark
- Gummiark
- Positionsark
- Trådløs enhed (for DSP601)
- Original Makita-akku og oplader

BEMÆRK: Nogle ting på denne liste kan være inkluderet i værktøjspakken som standardtilbehør. Det kan være forskellige fra land til land.

ΠΡΟΔΙΑΓΡΑΦΕΣ

| Μοντέλο: | | DSP600 | DSP601 |
|-----------------------|-----------------|--|--------|
| Διάμετρος λάμας | | 165 mm | |
| Μέγιστο βάθος κοπής | στις 0° | 56 mm | |
| | σε λοξοτομή 45° | 40 mm | |
| | σε λοξοτομή 48° | 38 mm | |
| Ταχύτητα χωρίς φορτίο | | 2.500 - 6.300 min ⁻¹ | |
| Ολικό μήκος | | 346 mm | |
| Ονομαστική τάση | | D.C. 36 V | |
| Κασέτα μπαταρίας | | BL1815N, BL1820, BL1820B, BL1830, BL1830B, BL1840, BL1840B, BL1850, BL1850B, BL1860B | |
| Φορτιστής | | DC18RC, DC18RD, DC18SD, DC18SE, DC18SF | |
| Καθαρό βάρος | | 4,4 - 5,1 kg | |

- Λόγω του συνεχιζόμενου προγράμματος έρευνας και ανάπτυξης, οι προδιαγραφές αυτές υπόκεινται σε αλλαγές χωρίς προειδοποίηση.
- Οι προδιαγραφές και η κασέτα μπαταριών μπορεί να διαφέρουν ανάλογα με τη χώρα.
- Το βάρος μπορεί να διαφέρει ανάλογα με τα προσαρτήματα, συμπεριλαμβάνοντας την κασέτα μπαταριών. Ο ελαφρύτερος και ο βαρύτερος συνδυασμός, σύμφωνα με τη διαδικασία ΕΡΤΑ 01/2014, παρουσιάζονται στον πίνακα.

Προοριζόμενη χρήση

Το εργαλείο προορίζεται ειδικά για την εκτέλεση βαθιάς κοπής. Το εργαλείο προορίζεται για εντομές και εγκάρσιες κοπές σε ξύλο. Αν το εργαλείο είναι εξοπλισμένο με σωστή λάμα δισκοπριονίου, το εργαλείο μπορεί να χρησιμοποιηθεί για το πρίονισμα αλουμινίου, πλαστικού, πλαστικού που περιέχει ορυκτό και παρόμοια υλικά.

Θορύβος

Το τυπικό Α επίπεδο καταμετρημένου θορύβου καθορίζεται σύμφωνα με το EN62841:

Μοντέλο DSP600

Στάθμη ηχητικής πίεσης (L_{pA}): 92 dB (A)
Στάθμη ηχητικής ισχύος (L_{WA}): 103 dB (A)
Αβεβαιότητα (K): 3 dB (A)

Μοντέλο DSP601

Στάθμη ηχητικής πίεσης (L_{pA}): 92 dB (A)
Στάθμη ηχητικής ισχύος (L_{WA}): 103 dB (A)
Αβεβαιότητα (K): 3 dB (A)

▲ ΠΡΟΕΙΔΟΠΟΙΗΣΗ: Να φοράτε ωτοασπίδες.

Κραδασμός

Η ολική τιμή δόνησης (άθροισμα τρι-αξονικού διανύσματος) καθορίζεται σύμφωνα με το EN62841:

Μοντέλο DSP600

Είδος εργασίας: κοπή ξύλου
Εκπομπή δόνησης ($a_{h,w}$): 2,5 m/s² ή λιγότερο
Αβεβαιότητα (K): 1,5 m/s²

Είδος εργασίας: κοπή μετάλλου
Εκπομπή δόνησης ($a_{h,m}$): 2,5 m/s² ή λιγότερο
Αβεβαιότητα (K): 1,5 m/s²

Μοντέλο DSP601

Είδος εργασίας: κοπή ξύλου
Εκπομπή δόνησης ($a_{h,w}$): 2,5 m/s² ή λιγότερο
Αβεβαιότητα (K): 1,5 m/s²
Είδος εργασίας: κοπή μετάλλου
Εκπομπή δόνησης ($a_{h,m}$): 2,5 m/s² ή λιγότερο
Αβεβαιότητα (K): 1,5 m/s²

ΠΑΡΑΤΗΡΗΣΗ: Η δηλωμένη τιμή εκπομπής κραδασμών έχει μετρηθεί σύμφωνα με την πρότυπη μέθοδο δοκιμής και μπορεί να χρησιμοποιηθεί για τη σύγκριση ενός εργαλείου με άλλο.

ΠΑΡΑΤΗΡΗΣΗ: Η δηλωμένη τιμή εκπομπής κραδασμών μπορεί να χρησιμοποιηθεί και στην προκαταρκτική αξιολόγηση έκθεσης.

▲ ΠΡΟΕΙΔΟΠΟΙΗΣΗ: Η εκπομπή κραδασμών κατά τη χρήση του ηλεκτρικού εργαλείου σε πραγματικές συνθήκες μπορεί να διαφέρει από τη δηλωμένη τιμή εκπομπής ανάλογα με τον τρόπο χρήσης του εργαλείου.

▲ ΠΡΟΕΙΔΟΠΟΙΗΣΗ: Φροντίστε να λάβετε τα κατάλληλα μέτρα προστασίας του χειριστή βάσει ενός υπολογισμού της έκθεσης σε πραγματικές συνθήκες χρήσης (λαμβάνοντας υπόψη όλες τις συνιστώσες του κύκλου λειτουργίας όπως τους χρόνους που το εργαλείο είναι εκτός λειτουργίας και όταν βρίσκεται σε αδρανή λειτουργία πέραν του χρόνου ενεργοποίησης).

Δήλωση συμμόρφωσης ΕΚ

Μόνο για χώρες της Ευρώπης

Η δήλωση συμμόρφωσης ΕΚ περιλαμβάνεται ως Παράρτημα Α στα παρόν εγχειρίδιο οδηγιών.

ΠΡΟΕΙΔΟΠΟΙΗΣΕΙΣ ΑΣΦΑΛΕΙΑΣ

Γενικές προειδοποιήσεις ασφαλείας για το ηλεκτρικό εργαλείο

▲ ΠΡΟΕΙΔΟΠΟΙΗΣΗ: Διαβάστε όλες τις προειδοποιήσεις ασφαλείας, οδηγίες, εικονογραφημένες και προδιαγραφές που παρέχονται με αυτό το ηλεκτρικό εργαλείο. Η μη τήρηση όλων των οδηγιών που αναγράφονται κατωτέρω μπορεί να καταλήξει σε ηλεκτροπληξία, πυρκαγιά ή/και σοβαρό τραυματισμό.

Φυλάξτε όλες τις προειδοποιήσεις και τις οδηγίες για μελλοντική παραπομπή.

Στις προειδοποιήσεις, ο όρος «ηλεκτρικό εργαλείο» αναφέρεται σε ηλεκτρικό εργαλείο που τροφοδοτείται από την κύρια παροχή ηλεκτρικού ρεύματος (με ηλεκτρικό καλώδιο) ή σε ηλεκτρικό εργαλείο που τροφοδοτείται από μπαταρία (χωρίς ηλεκτρικό καλώδιο).

Προειδοποιήσεις για την ασφάλεια του φορητού δισκοπριόνου

Διαδικασίες κοπής

- ▲ ΚΙΝΔΥΝΟΣ:** Κρατάτε τα χέρια σας μακριά από την περιοχή κοπής και τη λάμα. Κρατάτε το άλλο σας χέρι πάνω στη βοηθητική λαβή, ή στο περίβλημα μοτέρ. Αν κρατάτε το πριόνι και με τα δύο χέρια, δεν είναι δυνατό να κοπούν από τη λάμα.
- Μην απλώνετε τα χέρια σας κάτω από το τεμάχιο εργασίας.** Το προστατευτικό δεν σας παρέχει προστασία από τη λάμα κάτω από το τεμάχιο εργασίας.
- Ρυθμίστε το βάθος κοπής σύμφωνα με το πάχος του τεμαχίου εργασίας.** Λιγότερο από ένα ολόκληρο δόντι από τα δόντια της λάμας πρέπει να φαίνεται κάτω από το τεμάχιο εργασίας.
- Μην κρατάτε ποτέ το τεμάχιο εργασίας στα χέρια σας ή πάνω στο πόδι σας ενώ το κόβετε. Ασφαλίστε το τεμάχιο εργασίας σε μια σταθερή πλατφόρμα.** Είναι σημαντικό να στηρίζετε το τεμάχιο εργασίας κατάλληλα για να ελαχιστοποιήσετε την έκθεση του σώματός σας, την εμπλοκή της λάμας ή την απώλεια ελέγχου.

► Εικ.1

- Κρατάτε το ηλεκτρικό εργαλείο από τις μονωμένες επιφάνειες χειρολαβής όταν εκτελείτε μια εργασία κατά την οποία το κοπτικό εργαλείο μπορεί να έρθει σε επαφή με κρυμμένα καλώδια ή με το καλώδιό του.** Αν γίνει επαφή με κάποιο ηλεκτροφόρο καλώδιο, τα εκθειμένα μεταλλικά μέρη του ηλεκτρικού εργαλείου θα γίνουν και αυτά ηλεκτροφόρα και μπορεί να προκληθεί ηλεκτροπληξία στο χειριστή.
- Όταν τεμαχίζετε, να χρησιμοποιείτε πάντα οδηγό κομματιού ή άλλο οδηγό με ευθυγράμμιση ακμή.** Αυτό βελτιώνει την ακρίβεια της κοπής και μειώνει την πιθανότητα εμπλοκής της λάμας.

- Να χρησιμοποιείτε πάντα λάμες με το σωστό μέγεθος και το σωστό σχήμα (σχήμα διαμαντιού έναντι στρογγυλού σχήματος) όπως στερέωσης.** Οι λάμες που δεν ταιριάζουν με τον εξοπλισμό στερέωσης του πριονιού θα λειτουργούν εκκεντρα, προκαλώντας απώλεια ελέγχου.
- Μη χρησιμοποιείτε ποτέ στη λάμα ροδέλες ή μπουλόνια που είναι κατεστραμμένα ή λανθασμένου μεγέθους.** Οι ροδέλες και μπουλόνια λάμας έχουν σχεδιαστεί ειδικά για το πριόνι σας, για βέλτιστη απόδοση και ασφάλεια λειτουργίας.

Αιτίες κλοστήματος και σχετικές προειδοποιήσεις

- Το κλότσημα είναι μια ξαφνική αντίδραση όταν η λάμα πριονιού είναι αποκομμένη, μπλοκαρισμένη ή ευθυγραμμισμένη λανθασμένα, και προκαλεί την ανεξέλεγκτη ανύψωση του πριονιού έξω από το τεμάχιο εργασίας και προς τη μεριά του χειριστή.
- Όταν η λάμα είναι αποκομμένη ή μπλοκαρισμένη σφίχτά από την εγκοπή, αυτή ακινητοποιείται και η αντίδραση του μοτέρ οδηγεί το εργαλείο με ταχύτητα προς τη μεριά του χειριστή.
- Αν η λάμα παραμορφωθεί ή ευθυγραμμιστεί λανθασμένα κατά την κοπή, τα δόντια στο πίσω μέρος της λάμας μπορεί να σκάψουν μέσα στην άνω επιφάνεια του ξύλου και έτσι η λάμα να βγει από την εγκοπή και να αναπηδήσει προς τη μεριά του χειριστή.

Το κλότσημα προκαλείται όταν το πριόνι χρησιμοποιείται λανθασμένα ή/και όταν οι διαδικασίες ή οι συνθήκες λειτουργίας είναι λανθασμένες. Μπορεί να αποφευχθεί αν ληφθούν τα κατάλληλα προφυλάξεις που αναφέρονται παρακάτω.

- Να κρατάτε το πριόνι γερά και με τα δύο χέρια και να τοποθετείτε τους βραχιόνες σας με τρόπο ώστε να αντιστέκονται στη δύναμη του κλοστήματος. Να τοποθετείτε το σώμα σας πλευρικά της λάμας, αλλά όχι στην ίδια ευθεία με τη λάμα.** Το κλότσημα μπορεί να προκαλέσει την αναπήδηση του πριονιού προς τα πίσω, αλλά ο χειριστής μπορεί να ελέγξει το κλότσημα αν λάβει τις κατάλληλες προφυλάξεις.
- Όταν επιδοξίζεται η κίνηση της λάμας ή όταν διακόπτεται η κοπή για οποιοδήποτε λόγο, αφήστε τη σκανδάλη και κρατήστε ακίνητο το πριόνι μέσα στο υλικό έως ότου ακινητοποιηθεί η λάμα. Μη δοκιμάσετε ποτέ να βγάλετε το πριόνι από το τεμάχιο εργασίας ούτε να το τραβήξετε προς τα πίσω όταν η λάμα κινείται, επειδή μπορεί να κλοστήσει.** Ελέγξτε και πάρτε διορθωτικά μέτρα για να εξαλείψετε την αιτία πιασίσματος της λάμας.
- Όταν ξεκινάτε ξανά την κοπή ενός τεμαχίου εργασίας, κεντράρετε τη λάμα πριονιού στην εγκοπή με τρόπο ώστε τα δόντια της λάμας να μην έχουν πισαστεί μέσα στο υλικό.** Αν επιδοξίζεται μια λάμα πριονιού, το εργαλείο μπορεί να αναπηδήσει από το τεμάχιο εργασίας ή να κλοστήσει όταν το θέσετε ξανά σε λειτουργία.
- Πρέπει να στηρίζετε τις μεγάλες πλάκες για να ελαχιστοποιείτε τον κίνδυνο να πισαστεί η λάμα, αλλά και να κλοστήσει.** Μεγάλα τεμάχια τείνουν να λυγίζουν κάτω από το βάρος τους. Πρέπει να τοποθετείτε στηρίγματα κάτω από τις πλάκες, και στις δύο πλευρές, κοντά στη γραμμή κοπής και κοντά στην άκρη της πλάκας.

► **Εικ.2**

► **Εικ.3**

5. **Μη χρησιμοποιείτε λάμες αμβλυμένες ή με ζημιές.** Ατρόχιστες λάμες ή ακατάλληλα τοποθετημένες λάμες δημιουργούν στενή τομή προκαλώντας υπερβολική τριβή, πιάσιμο της λάμας και κλότσημα.
6. **Οι μοχλοί ασφάλισης του βάθους λάμας και της ρύθμισης λοξοτομής πρέπει να είναι σφιχτοί και ασφαλισμένοι πριν από την κοπή.** Αν η ρύθμιση λάμας μετακινείται κατά την κοπή, μπορεί να προκληθεί πιάσιμο και κλότσημα.
7. **Δώστε μεγάλη προσοχή όταν πριονίζετε σε υπάρχοντες τοίχους ή άλλες τυφλές περιοχές.** Αν η λάμα προεξέχει, μπορεί να κόψει αντικείμενα που θα προκαλέσουν κλότσημα.
8. **Κρατήστε ΠΑΝΤΑ το εργαλείο σταθερά με τα δύο χέρια. Μην τοποθετείτε ΠΟΤΕ το χέρι, το πόδι ή οποιοδήποτε μέρος του σώματός σας κάτω από τη βάση του εργαλείου ή πίσω από το πριόνι, ειδικά όταν δημιουργείται εγκάρσιες κοπές.** Αν συμβεί κλότσημα, το πριόνι μπορεί εύκολα να πηδήξει προς τα πίσω πάνω από το χέρι σας, οδηγώντας σε σοβαρό προσωπικό τραυματισμό.

► **Εικ.4**

9. **Ποτέ μην εξαναγκάσετε το πριόνι. Να απώχνητε το πριόνι προς τα μπροστά με τέτοια ταχύτητα ώστε η λάμα να κόβει χωρίς να επιβραδύνει.** Αν ζορίζετε το πριόνι μπορεί να προκληθούν ανομοιόμορφες κοπές, απώλεια της ακρίβειας και πιθανώς κλότσημα.

Λειτουργία προστατευτικού

1. **Ελέγξτε τον προφυλακτήρα για κατάλληλο κλείσιμο πριν από κάθε χρήση. Μη έχετε το πριόνι σε λειτουργία αν ο προστατευτικό δεν κινείται ελεύθερα και δεν περικλείνει τη λάμα αμέσως. Μη συγκρατείτε και μη δένετε ποτέ τον προφυλακτήρα για να μην εκτεθεί η λάμα.** Αν το πριόνι πέσει τυχαία, ο προφυλακτήρας μπορεί να λυγίσει. Ελέγξτε για να βεβαιωθείτε ότι ο προφυλακτήρας κινείται ελεύθερα και δεν ακουμπά τη λάμα ή κάποιο άλλο μέρος, σε όλες τις γωνίες και βάθη κοπής.
2. **Ελέγξτε τη λειτουργία και την κατάσταση του ελατηρίου επιστροφής του προστατευτικού. Αν το προστατευτικό και το ελατήριο δεν λειτουργούν σωστά, πρέπει να συντηρηθούν πριν τη χρήση.** Το προστατευτικό μπορεί να λειτουργεί με αργό ρυθμό αν υπάρχουν κατεστραμμένα μέρη, αποθέματα κόλλας ή συσσώρευση ακαθαρσιών.
3. **Βεβαιωθείτε ότι η πλάκα βάσης του πριονιού δεν θα μετατοπιστεί ενώ πραγματοποιείται «βαθιά κοπή».** Η πλάγια μετατόπιση της λάμας θα προκαλέσει το πιάσιμο της και πιθανώς κλότσημα.
4. **Παρατηρείτε πάντα ότι ο προφυλακτήρας καλύπτει τη λάμα πριν τοποθετήσετε το πριόνι σε πάγκο ή στο πάτωμα.** Αν η λάμα δεν προστατεύεται και κινείται ελεύθερα, το πριόνι θα κινηθεί προς τα πίσω, κόβοντας ότι βρεθεί στο δρόμο του. Να είστε ενήμεροι για τον χρόνο που χρειάζεται για τη λάμα να σταματήσει αφού ο διακόπτης έχει απελευθερωθεί.

Πρόσθετες προειδοποιήσεις ασφάλειας

1. **Δώστε μεγάλη προσοχή όταν κόβετε νωπό ξύλο, ξυλεία επεξεργασμένη με πίεση ή ξύλο που περιέχει κόμπους.** Διατηρήστε ομαλή προώθηση του εργαλείου χωρίς να μειώνετε την ταχύτητα της λάμας, προκειμένου να αποφύγετε την υπερθέρμανση των άκρων της λάμας και, αν κόβετε πλαστικά, για να αποφύγετε το λιώσιμο του πλαστικού.
2. **Μην επιχειρήσετε να αφαιρέσετε κομμένο υλικό όταν η λάμα κινείται. Περιμένετε μέχρι να σταματήσει η λάμα πριν πιάσετε κομμένο υλικό.** Οι λάμες περιστρέφονται και μετά το σβήσιμο.
3. **Αποφεύγετε την κοπή καρφιών. Ελέγξτε και αφαιρέστε όλα τα καρφιά από την ξυλεία πριν από την κοπή.**
4. **Τοποθετήστε το πλατύτερο τμήμα της βάσης του πριονιού σε εκείνο το τμήμα του τεμαχίου εργασίας που στηρίζεται σταθερά, και όχι στο τμήμα εκείνο που θα πέσει όταν θα γίνει η κοπή. Αν το τεμάχιο εργασίας είναι κοντό ή μικρό, συγκρατήστε το. ΜΗ ΠΡΟΣΠΑΘΕΙΤΕ ΝΑ ΚΡΑΤΑΤΕ ΜΙΚΡΑ ΤΕΜΑΧΙΑ ΜΕ ΤΟ ΧΕΡΙ!**

► **Εικ.5**

5. **Πριν τοποθετήσετε το εργαλείο κάτω μετά το τέλος της κοπής, βεβαιωθείτε ότι έκλεισε το προστατευτικό και ακινητοποιήθηκε τελείως η λάμα.**
6. **Μη δοκιμάσετε ποτέ να πριονίσετε όταν το δισκοπριόνιο είναι στερεωμένο ανάποδα σε μια μέγκενη. Αυτό είναι εξαιρετικά επικίνδυνο και μπορεί να οδηγήσει σε σοβαρά ατυχήματα.**

► **Εικ.6**

7. **Μερικά υλικά περιέχουν χημικά που μπορεί να είναι τοξικά. Προσέχετε ώστε να αποφεύγετε την εισπνοή σκόνης και την επαφή με το δέρμα. Ακολουθείτε τα δεδομένα ασφάλειας υλικού που παρέχονται από τον προμηθευτή.**
8. **Μη σταματάτε τις λάμες με πλευρική πίεση της λάμα πριονιού.**
9. **Μη χρησιμοποιείτε αποξεστικούς τροχούς.**
10. **Χρησιμοποιείτε μόνο τη λάμα πριονιού με τη διάμετρο που είναι επισήμασμένη στο εργαλείο ή που καθορίζεται στο εγχειρίδιο.** Η χρήση μιας λάμας λανθασμένου μεγέθους μπορεί να επηρεάσει τη σωστή προστασία της λάμας ή τη λειτουργία του προστατευτικού, γεγονός που μπορεί να έχει ως αποτέλεσμα σοβαρό προσωπικό τραυματισμό.
11. **Κρατάτε τη λάμα κοφτερή και καθαρή.** Η κόλλα και τα πριονίσματα ξύλου που έχουν ξεραθεί επάνω στις λάμες επιβραδύνουν το πριόνι και αυξάνουν την πιθανότητα κλότσηματος. Διατηρείτε τη λάμα καθαρή αφού πρώτα τη βγάλετε από το εργαλείο και μετά την καθαρίσετε με καθαριστικό για κόλλα και πριονίσματα, ζεστό νερό ή κηροζίνη. Μη χρησιμοποιήσετε ποτέ βενζίνη.
12. **Να φοράτε προσωπίδα κατά της σκόνης και ωτοασπίδες όταν χρησιμοποιείτε το εργαλείο.**
13. **Να χρησιμοποιείτε πάντα τη λάμα πριονιού που προορίζεται για την κοπή του υλικού που θα κόψετε.**
14. **Να χρησιμοποιείτε μόνο λάμες πριονιού που είναι επισήμασμένες με ταχύτητα ίση με ή υψηλότερη από την ταχύτητα που είναι επισήμασμένη στο εργαλείο.**

15. (Για ευρωπαϊκές χώρες μόνο)
Να χρησιμοποιείτε πάντα λάμα που συμμορφώνεται με το πρότυπο EN847-1.

ΦΥΛΑΞΕΤΕ ΑΥΤΕΣ ΤΙΣ ΟΔΗΓΙΕΣ.

▲ΠΡΟΕΙΔΟΠΟΙΗΣΗ: ΜΗΝ επιτρέψετε στην άνεση ή στην εξοικειωσή σας με το προϊόν (που αποκτήθηκε από επαγγελματινή χρήση) να αντικαταστήσει την αυστηρή τήρηση των κανόνων ασφαλείας του παρόντος εργαλείου. Η **ΛΑΝΘΑΣΜΕΝΗ ΧΡΗΣΗ** ή η αμέλεια να ακολουθήσετε τους κανόνες ασφαλείας που διατυπώνονται στο παρόν εγχειρίδιο οδηγιών μπορεί να προκαλέσει σοβαρό προσωπικό τραυματισμό.

Σημαντικές οδηγίες ασφάλειας για κασέτα μπαταριών

1. Πριν χρησιμοποιήσετε την κασέτα μπαταριών, διαβάστε όλες τις οδηγίες και σημειώσεις προφύλαξης (1) στον φορτιστή μπαταριών, (2) στην μπαταρία και (3) στο προϊόν που χρησιμοποιεί την μπαταρία.
2. Μην αποσυαρμολογήσετε την κασέτα μπαταριών.
3. Εάν ο χρόνος λειτουργίας έχει γίνει υπερβολικά βραχύς, σταματήστε τη λειτουργία αμέσως. Αλλιώς, μπορεί να έχει ως αποτέλεσμα κίνδυνο υπερθέρμανσης, πιθανά εγκαύματα ή ακόμη και έκρηξη.
4. Εάν ηλεκτρολύτης μπει στα μάτια σας, ξεπλύνετε τα με καθαρό νερό και ζητήστε ιατρική φροντίδα αμέσως. Αλλιώς, μπορεί να έχει ως αποτέλεσμα απώλεια της όρασης σας.
5. Μην βραχυκυκλώνετε την κασέτα μπαταριών:
 - (1) Μην αγγίζετε τους πόλους με οτιδήποτε αγώγιμο υλικό.
 - (2) Αποφεύγετε να αποθηκεύετε την κασέτα μπαταριών μέσα σε ένα δοχείο μαζί με άλλα μεταλλικά αντικείμενα όπως καρφιά, νομίσματα, κλπ.
 - (3) Μην εκθέτετε την κασέτα μπαταριών στο νερό ή στη βροχή.Ένα βραχυκύκλωμα μπαταρίας μπορεί να προκαλέσει μεγάλη ροή ρεύματος, υπερθέρμανση, πιθανά εγκαύματα ακόμη και σοβαρή βλάβη.
6. Μην αποθηκεύετε το εργαλείο και την κασέτα μπαταριών σε τοποθεσίες όπου η θερμοκρασία μπορεί να φτάσει ή να ξεπεράσει τους 50°C.
7. Μην καίτε την κασέτα μπαταριών ακόμη και εάν έχει σοβαρή ζημιά ή είναι εντελώς φθαρμένη. Η κασέτα μπαταριών μπορεί να εκραγεί στη φωτιά.
8. Προσέχετε να μη ριζίτε κάτω ούτε να χτυπήσετε την μπαταρία.
9. Μην χρησιμοποιείτε μπαταρία που έχει υποστεί ζημιά.
10. Οι μπαταρίες ιόντων λιθίου που περιέχονται υπόκεινται στις απαιτήσεις της νομοθεσίας για επικίνδυνα αγαθά.
Για εμπορικές μεταφορές, για παράδειγμα από τρίτα μέρη, πρέπει να τηρούνται οι διαμεταφορές, οι ειδικές απαιτήσεις στη συσκευασία και η επισήμανση.

Για προετοιμασία του στοιχείου που αποστέλλεται, είναι απαραίτητο να συμβουλευτείτε έναν ειδικό για επικίνδυνα υλικά. Επίσης, τηρήστε τους πιθανούς, πιο αναλυτικούς εθνικούς κανονισμούς. Καλύψτε με αυτοκόλλητη ταινία ή κρύψτε τις ανοικτές επαφές και συσκευάστε την μπαταρία με τρόπο που να μην μπορεί να μετακινείται μέσα στη συσκευασία.

11. Τηρήστε τους τοπικούς κανονισμούς που σχετίζονται με τη διάθεση της μπαταρίας.

ΦΥΛΑΞΕΤΕ ΤΙΣ ΟΔΗΓΙΕΣ ΑΥΤΕΣ.

▲ΠΡΟΣΟΧΗ: Να χρησιμοποιείτε μόνο γνήσιες μπαταρίες της Makita. Η χρήση μη γνήσιων μπαταριών Makita, ή μπαταριών που έχουν τροποποιηθεί, μπορεί να έχει ως αποτέλεσμα τη ρήξη της μπαταρίας, προκαλώντας πυρκαγιά, προσωπικό τραυματισμό και βλάβη. Επίσης, θα ακρωθεί η εγγύηση της Makita για το εργαλείο και φορτιστή Makita.

Συμβουλές για τη διατήρηση της μέγιστης ζωής μπαταρίας

1. Φορτίζετε την κασέτα μπαταριών πριν από την πλήρη αποφόρτιση της. Πάντοτε να σταματάτε τη λειτουργία του εργαλείου και να φορτίζετε την κασέτα μπαταριών όταν παρατηρείτε μειωμένη ισχύ εργαλείου.
2. Ποτέ μην επαναφορτίζετε μια πλήρως φορτισμένη κασέτα μπαταριών. Η υπερφόρτιση μειώνει την ωφέλιμη ζωή της μπαταρίας.
3. Να φορτίζετε την κασέτα μπαταριών σε θερμοκρασία δωματίου, δηλαδή στους 10°C έως 40°C. Αφήστε μια θερμή κασέτα μπαταριών να κρυώσει πριν την φορτίσετε.
4. Να φορτίζετε την κασέτα μπαταριών εάν δεν τη χρησιμοποιείτε για μεγάλη χρονική περίοδο (περισσότερο από έξι μήνες).

Σημαντικές οδηγίες ασφάλειας για την ασύρματη μονάδα

1. Μην αποσυαρμολογήτε ή παραβιάζετε την ασύρματη μονάδα.
2. Διατηρήστε την ασύρματη μονάδα μακριά από μικρά παιδιά. Αν καταποθεί κατά λάθος, αναζητήστε αμέσως ιατρική βοήθεια.
3. Να χρησιμοποιείτε την ασύρματη μονάδα μόνο με εργαλεία της Makita.
4. Μην εκθέτετε την ασύρματη μονάδα στη βροχή ή σε υγρές συνθήκες.
5. Μην χρησιμοποιείτε την ασύρματη μονάδα σε μέρη όπου η θερμοκρασία ξεπερνάει τους 50°C.
6. Μην θέτετε την ασύρματη μονάδα σε λειτουργία σε μέρη όπου υπάρχουν ιατρικά όργανα, όπως καρδιακοί βηματοδότες.
7. Μην θέτετε την ασύρματη μονάδα σε λειτουργία σε μέρη όπου υπάρχουν αυτοματοποιημένες διατάξεις. Αν θεθούν σε λειτουργία, οι αυτοματοποιημένες συσκευές μπορεί να εμφανίσουν δυσλειτουργία ή σφάλμα.
8. Η ασύρματη μονάδα μπορεί να παράγει ηλεκτρομαγνητικά πεδία (ΗΜΠ) αλλά δεν είναι επιβλαβή για τον χρήστη.

9. Η ασύρματη μονάδα είναι ένα όργανο ακριβείας. Προσέχετε να μη ρίξετε κάτω ή να χτυπήσετε την ασύρματη μονάδα.
10. Αποφύγετε να αγγίζετε τον ακροδέκτη της ασύρματης μονάδας με γυμνά χέρια ή μεταλλικά υλικά.
11. Να αφαιρείτε πάντοτε την μπαταρία από το εργαλείο όταν τοποθετείτε την ασύρματη μονάδα.
12. Όταν ανοίγετε το καπάκι της σχισμής, αποφύγετε μέρη όπου μπορεί να εισέλθει σκόνη και νερό μέσα στη σχισμή. Να διατηρείτε πάντα καθαρή την είσοδο της σχισμής.
13. Να φορτώνετε πάντα την ασύρματη μονάδα με τη σωστή κατεύθυνση.
14. Μην πατήσετε το κουμπί ασύρματης ενεργοποίησης στην ασύρματη μονάδα πολύ δυνατά ή/και μην πατήσετε το κουμπί με ένα αντικείμενο με αιχμηρό άκρο.
15. Κατά τη λειτουργία, να κλείνετε πάντα το καπάκι της σχισμής.
16. Μην αφαιρείτε την ασύρματη μονάδα από τη σχισμή ενώ παρέχεται ισχύς στο εργαλείο. Αν το κάνετε αυτό, μπορεί να προκληθεί δυσλειτουργία της ασύρματης μονάδας.
17. Μην αφαιρείτε το αυτοκόλλητο στην ασύρματη μονάδα.
18. Μην τοποθετείτε αυτοκόλλητα επάνω στην ασύρματη μονάδα.
19. Μην αφήνετε την ασύρματη μονάδα σε ένα μέρος όπου μπορεί να παραχθεί στατικός ηλεκτρισμός ή ηλεκτρικός θόρυβος.
20. Μην αφήνετε την ασύρματη μονάδα σε ένα μέρος που υπόκειται σε υψηλή θερμότητα, όπως ένα αυτοκίνητο στον ήλιο.
21. Μην αφήνετε την ασύρματη μονάδα σε ένα μέρος με πολλή σκόνη ή πούδρα ή σε ένα μέρος όπου μπορεί να παραχθεί διαβρωτικό αέριο.
22. Η απότομη αλλαγή της θερμοκρασίας μπορεί να υγραίνει την ασύρματη μονάδα. Μη χρησιμοποιείτε την ασύρματη μονάδα μέχρι να στεγνώσει εντελώς όλη η υγρασία.
23. Όταν καθαρίζετε την ασύρματη μονάδα, σκουπίστε απαλά με ένα στεγνό μαλακό πανί. Μη χρησιμοποιείτε βενζίνη, νέφτι, αγώγιμο γράσο ή παρόμοιες ουσίες.
24. Όταν αποθηκεύετε την ασύρματη μονάδα, να τη διατηρείτε μέσα στην παρεχόμενη θήκη ή μέσα σε δοχείο χωρίς στατικό ηλεκτρισμό.
25. Μην εισαγάγετε καμία συσκευή διαφορετική από την ασύρματη μονάδα Makita μέσα στη σχισμή στο εργαλείο.
26. Μη χρησιμοποιείτε το εργαλείο αν το καπάκι της σχισμής είναι κατεστραμμένο. Αν εισέλθει νερό, σκόνη και βρομιά μέσα στη σχισμή, μπορεί να προκληθεί δυσλειτουργία.
27. Μην τραβάτε ή/και μη συστρέψετε το καπάκι της σχισμής περισσότερο από ό,τι απαιτείται. Τοποθετήστε ξανά το καπάκι αν βγει από το εργαλείο.
28. Αντικαταστήστε ξανά το καπάκι της σχισμής αν χαθεί ή καταστραφεί.

ΦΥΛΑΞΕΤΕ ΑΥΤΕΣ ΤΙΣ ΟΔΗΓΙΕΣ.

ΠΕΡΙΓΡΑΦΗ ΛΕΙΤΟΥΡΓΙΑΣ

▲ΠΡΟΣΟΧΗ: Να φροντίζετε πάντα για την απενεργοποίηση του εργαλείου και την αφαίρεση της κασέτας μπαταρίας, πριν από οποιαδήποτε ρύθμιση ή έλεγχο της λειτουργίας του.

Τοποθέτηση ή αφαίρεση της κασέτας μπαταριών

▲ΠΡΟΣΟΧΗ: Να σβήνετε πάντα το εργαλείο πριν τοποθετήσετε ή αφαιρέσετε την κασέτα μπαταριών.

▲ΠΡΟΣΟΧΗ: Κρατήστε το εργαλείο και την κασέτα μπαταριών σταθερά κατά την τοποθέτηση ή αφαίρεση της κασέτας μπαταριών. Εάν δεν κρατάτε το εργαλείο και την κασέτα μπαταριών σταθερά μπορεί να γλιστρήσουν από τα χέρια σας και να προκληθεί βλάβη στο εργαλείο και την κασέτα μπαταριών και προσωπικός τραυματισμός.

► **Εικ. 7:** 1. Κόκκινη ένδειξη 2. Κουμπί 3. Κασέτα μπαταριών

Για να αφαιρέσετε την κασέτα μπαταριών, ολισθήστε την από το εργαλείο ενώ σύρετε το κουμπί στο μπροστινό μέρος της κασέτας.

Για να τοποθετήσετε την κασέτα μπαταριών, ευθυγραμμίστε τη γλώσσα στην κασέτα μπαταριών με την αύλακα στην υποδοχή και ολισθήστε τη στη θέση της. Να την τοποθετείτε πλήρως μέχρι να ασφαλίσει στη θέση της, γεγονός που υποδεικνύεται με ένα χαρακτηριστικό ήχο. Εάν μπορείτε να δείτε την κόκκινη ένδειξη στην επάνω πλευρά του κουμπιού, δεν έχει κλειδώσει τελείως.

▲ΠΡΟΣΟΧΗ: Να τοποθετείτε πάντα την κασέτα μπαταριών πλήρως μέχρι να μη βλέπετε την κόκκινη ένδειξη. Εάν δεν ασφαλίσει, μπορεί να πέσει από το εργαλείο τυχαία, προκαλώντας σωματική βλάβη σε εσάς ή κάποιον άλλο γύρω σας.

▲ΠΡΟΣΟΧΗ: Μην τοποθετείτε την κασέτα μπαταριών με βία. Εάν η κασέτα δεν ολισθαίνει με ευκολία, τότε δεν έχει τοποθετηθεί κατάλληλα.

ΠΑΡΑΤΗΡΗΣΗ: Το εργαλείο δεν λειτουργεί με μόνο μία κασέτα μπαταριών.

Σύστημα προστασίας εργαλείου/ μπαταρίας

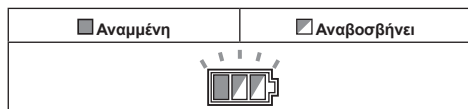
Το εργαλείο είναι εξοπλισμένο με σύστημα προστασίας εργαλείου/μπαταρίας. Αυτό το σύστημα αποκόπτει αυτόματα την ισχύ προς το μοτέρ για να παραταθεί η διάρκεια λειτουργίας του εργαλείου και της μπαταρίας. Το εργαλείο σταματάει αυτόματα κατά τη διάρκεια της λειτουργίας εάν το εργαλείο ή η μπαταρία βρεθούν κάτω από τις παρακάτω συνθήκες. Σε μερικές συνθήκες, οι ενδείξεις ανάβουν.

Προστασία υπερφόρτωσης

Όταν το εργαλείο λειτουργεί με τρόπο που προκαλεί την κατανάλωση ενός ασυνήθιστα υψηλού ηλεκτρικού ρεύματος, το εργαλείο σταματάει αυτόματα. Σε αυτή την κατάσταση, σβήστε το εργαλείο και διακόψτε την εφαρμογή που προκαλεί την υπερφόρτωση του εργαλείου. Μετά, ενεργοποιήστε το εργαλείο για επανεκκίνηση.

Προστασία υπερθέρμανσης

Όταν το εργαλείο υπερθερμανθεί, το εργαλείο σταματάει αυτόματα και η ένδειξη μπαταρίας αναβοσβήνει για περίπου 60 δευτερόλεπτα. Σε αυτή την κατάσταση, αφήστε να μειωθεί η θερμοκρασία του εργαλείου πριν ενεργοποιήσετε ξανά το εργαλείο.



Προστασία υπερβολικής αποφόρτισης

Όταν μειωθεί η χωρητικότητα μπαταρίας, το εργαλείο σταματάει αυτόματα. Εάν το προϊόν δεν τίθεται σε λειτουργία ακόμα και όταν πραγματοποιείται χειρισμός των διακοπών, βγάλτε τις μπαταρίες από το εργαλείο και φορτίστε τις.

Υπόδειξη υπόλοιπης χωρητικότητας μπαταρίας

► **Εικ.8:** 1. Ένδειξη μπαταρίας (για άνω μπαταρία) 2. Κουμπί ελέγχου 3. Ένδειξη μπαταρίας (για κάτω μπαταρία)

Πιέστε το κουμπί ελέγχου για να εμφανιστεί η υπόλοιπη χωρητικότητα της μπαταρίας. Οι ενδείξεις μπαταριών αντιστοιχούν σε κάθε μπαταρία.

| Κατάσταση ένδειξης μπαταρίας | | | Υπολειπόμενη χωρητικότητα μπαταρίας |
|------------------------------|---------|--------------|-------------------------------------|
| Αναμμένες | Σβηστές | Αναβοσβήνουν | |
| | | | 50% έως 100% |
| | | | 20% έως 50% |
| | | | 0% έως 20% |
| | | | Φορτίστε την μπαταρία |

Εμφάνιση υπολειπόμενης χωρητικότητας μπαταρίας

Μόνο για κασέτες μπαταρίας με την ενδεικτική λυχνία

► **Εικ.9:** 1. Ενδεικτικές λυχνίες 2. Κουμπί ελέγχου

Πιέστε το κουμπί ελέγχου στην κασέτα μπαταριών για να υποδείξετε την υπολειπόμενη χωρητικότητα μπαταρίας. Οι ενδεικτικές λυχνίες ανάβουν για λίγα δευτερόλεπτα.

| Ενδεικτικές λυχνίες | | | Υπολειπόμενη χωρητικότητα |
|---------------------|---------|--------------|---|
| Αναμμένες | Σβηστές | Αναβοσβήνουν | |
| | | | 75% έως 100% |
| | | | 50% έως 75% |
| | | | 25% έως 50% |
| | | | 0% έως 25% |
| | | | Φορτίστε την μπαταρία. |
| | | | Μπορεί να προέκυψε δυσλειτουργία στην μπαταρία. |
| | | | |

ΠΑΡΑΤΗΡΗΣΗ: Ανάλογα με τις συνθήκες χρήσης και τη θερμοκρασία περιβάλλοντος, η ένδειξη μπορεί να διαφέρει λίγο από την πραγματική χωρητικότητα.

Αυτόματη λειτουργία αλλαγής ταχύτητας




ΠΑΡΑΤΗΡΗΣΗ: Η λειτουργία αυτόματης αλλαγής ταχύτητας διατίθεται μόνο όταν ο επιλογέας ρύθμισης ταχύτητας είναι στο 5.

Αυτό το εργαλείο έχει «τρόπο λειτουργίας υψηλής ταχύτητας» και «τρόπο λειτουργίας υψηλής ροπής». Το εργαλείο αλλάζει αυτόματα τον τρόπο λειτουργίας ανάλογα με το φόρτο εργασίας. Όταν το φόρτο εργασίας είναι χαμηλό, το εργαλείο θα λειτουργεί με τον «τρόπο λειτουργίας υψηλής ταχύτητας» για πιο γρήγορη λειτουργία κοπής. Όταν το φόρτο εργασίας είναι υψηλό, το εργαλείο θα λειτουργεί με τον «τρόπο λειτουργίας υψηλής ροπής» για πιο ισχυρή λειτουργία κοπής.

► **Εικ.10:** 1. Ένδειξη τρόπου λειτουργίας

Η ένδειξη τρόπου λειτουργίας ανάβει με πράσινο χρώμα όταν το εργαλείο λειτουργεί με τον «τρόπο λειτουργίας υψηλής ροπής».

Αν το εργαλείο τεθεί σε λειτουργία με υπερβολικό φόρτο, η ένδειξη τρόπου λειτουργίας θα αναβοσβήνει με πράσινο χρώμα. Η ένδειξη τρόπου λειτουργίας σταματάει να αναβοσβήνει και μετά ανάβει ή σβήνει αν μειώσετε το φόρτο στο εργαλείο.

| Κατάσταση ένδειξης τρόπου λειτουργίας | | | Τρόπος λειτουργίας |
|---|------------------------------|-----------------------------------|-------------------------------------|
| <input checked="" type="radio"/> Αναμμένη | <input type="radio"/> Σβηστή | <input type="radio"/> Αναβοσβήνει | |
|  | | | Τρόπος λειτουργίας υψηλής ταχύτητας |
|  | | | Τρόπος λειτουργίας υψηλής ροπής |
|  | | | Ειδοποίηση υπερφόρτωσης |

Ρύθμιση του βάθους κοπής

▲ ΠΡΟΣΟΧΗ: Μόλις ρυθμίσετε το βάθος κοπής, να σφίγγετε πάντα τη βίδα σύσφιξης με ασφάλεια.

Χαλαρώστε τη βίδα σύσφιξης στον οδηγό βάθους και μετακινήστε τον αναστολέα κάτω ορίου λάμας στο επιθυμητό βάθος στην βαθμονομημένη πλάκα. Στο επιθυμητό βάθος κοπής, να σφίγγετε καλά τη βίδα σύσφιξης. Για πιο καθαρές, ασφαλείς τομές, καθορίστε το βάθος κοπής ώστε να μην προεξέχουν περισσότερα από ένα δόντι της λάμας, κάτω από το τεμάχιο εργασίας. Η χρήση κατάλληλου βάθους κοπής συμβάλλει στη μείωση της πιθανότητας επικίνδυνου ΚΛΟΤΣΗΜΑΤΟΣ που μπορεί να προκαλέσει τραυματισμό.

► **Εικ.11:** 1. Αναστολέας κάτω ορίου λάμας 2. Βίδα σύσφιξης

Κουμπί ταχείας αναστολής για βάθος κοπής 2 έως 3 mm όταν χρησιμοποιείται ράγα οδήγησης (προαιρετικό εξάρτημα)

Αυτό το εργαλείο διαθέτει κουμπί ταχείας αναστολής για βάθος κοπής 2 έως 3 mm στο περίβλημα γραναζιού δίπλα από την πίσω χειρολαβή όταν χρησιμοποιείται η ράγα οδήγησης. Αυτό χρησιμοποιείται για την αποφυγή σκληθρών στο τεμάχιο εργασίας κατά την κοπή. Περάστε την πρώτη κοπή 2 έως 3 mm και μετά περάστε μια άλλη συνήθη κοπή.

► **Εικ.12:** 1. Κουμπί ταχείας αναστολής

Για να λάβετε κοπή βάθους 2 έως 3 mm, πατήστε το κουμπί ταχείας αναστολής προς τη λάμα πριονιού. Αυτό είναι βολικό για την αποφυγή σκληθρών στο τεμάχιο εργασίας.

Για να απελευθερώσετε την κοπή βάθους από αυτή τη θέση, για ελεύθερη κοπή βάθους, απλά τραβήξτε το κουμπί προς τα πίσω.

Κωνική κοπή

Χαλαρώστε τις βίδες σύσφιξης. Ρυθμίστε για την επιθυμητή γωνία δίνοντας την κατάλληλη κλίση και μετά σφίξτε καλά τις βίδες σύσφιξης.

► **Εικ.13:** 1. Βίδα σύσφιξης 2. Βαθμολογημένη κλίμακα κωνικής κοπής

► **Εικ.14:** 1. Βοηθητική βάση (Προαιρετικό εξάρτημα) 2. Βίδα σύσφιξης

Θετικός αναστολέας

Ο θετικός αναστολέας χρησιμοποιεί για τη γρήγορη ρύθμιση της καθορισμένης γωνίας. Περιστρέψτε τον θετικό αναστολέα με τρόπο ώστε το βέλος του να είναι στραμμένο προς 22,5°. Χαλαρώστε τις βίδες σύσφιξης στο μπροστινό και το πίσω μέρος. Κατόπιν, γείρτε τη λάμα έως ότου σταματήσει και ασφαλίστε τη βάση με τις βίδες σύσφιξης.

► **Εικ.15:** 1. Θετικός αναστολέας 2. Βίδα σύσφιξης

Κωνική κοπή 48°

Για να εκτελέσετε μια κωνική κοπή 48°, χαλαρώστε τις βίδες σύσφιξης και γείρτε το μοχλό εντελώς προς την κατεύθυνση του βέλους της εικόνας. Μετά, ρυθμίστε την κωνική γωνία στις 48° και σφίξτε τις βίδες σύσφιξης.

► **Εικ.16:** 1. Μοχλός

Κωνική κοπή -1°

Για να εκτελέσετε μια κωνική κοπή -1°, χαλαρώστε τις βίδες σύσφιξης και πατήστε τους μοχλούς προς την κατεύθυνση του βέλους της εικόνας. Μετά, ρυθμίστε την κωνική γωνία στις -1° και σφίξτε τις βίδες σύσφιξης.

► **Εικ.17:** 1. Μοχλός

Σκόπευση

► **Εικ.18:** 1. Βάση

Η γραμμή κοπής διαφέρει ανάλογα με τη γωνία κοπή και αν χρησιμοποιήσατε τη ράγα οδήγησης (προαιρετικό εξάρτημα).

Όταν χρησιμοποιείτε το εργαλείο χωρίς ράγα οδήγησης

Για ίσιες κοπές, ευθυγραμμίστε τη θέση Α στο μπροστινό μέρος της βάσης με τη γραμμή κοπής. Για κωνικές κοπές 45°, ευθυγραμμίστε τη θέση Β με αυτή.

Όταν χρησιμοποιείτε το εργαλείο με ράγα οδήγησης

Για ίσιες κοπές και κωνικές κοπές 45°, να ευθυγραμμίζετε πάντα τη θέση Α στο μπροστινό μέρος της βάσης με τη γραμμή κοπής.

Δράση διακόπτη

▲ ΠΡΟΕΙΔΟΠΟΙΗΣΗ: Πριν βάλετε την κασέτα μπαταρίας μέσα στο εργαλείο, να ελέγχετε πάντα να δείτε αν η σκανδάλη διακόπτης ενεργοποιείται κανονικά και επιστρέφει στη θέση «OFF» όταν ελευθερώνεται.

▲ ΠΡΟΕΙΔΟΠΟΙΗΣΗ: Μην παρακάμπετε ΠΟΤΕ το κουμπί απασφάλισης συγκρατώντας το πιεσμένο με αυτοκόλλητη ταινία ή άλλο μέσο. Ένας διακόπτης με παραβιασμένο κουμπί απασφάλισης μπορεί να προκαλέσει ακούσια λειτουργία και σοβαρό ατομικό τραυματισμό.

▲ ΠΡΟΕΙΔΟΠΟΙΗΣΗ: Μην χρησιμοποιείτε ΠΟΤΕ το εργαλείο αν μπορείτε να το θέσετε σε λειτουργία πιέζοντας απλά τη σκανδάλη διακόπτη, χωρίς να πατήσετε και το κουμπί απασφάλισης. Ένας διακόπτης που απαιτεί επισκευή μπορεί να προκαλέσει ακούσια λειτουργία και σοβαρό ατομικό τραυματισμό. Στείλτε το εργαλείο σε κέντρο εξυπηρέτησης της Makita για να το επισκευάσουν σωστά ΠΡΙΝ το χρησιμοποιήσετε ξανά.

Για να μην πιέζεται η σκανδάλη διακόπτης κατά λάθος, παρέχεται ένα κουμπί απασφάλισης. Για να ξεκινήσετε τη λειτουργία του εργαλείου, πατήστε το κουμπί απασφάλισης και τραβήξτε τη σκανδάλη διακόπτη. Ελευθερώστε τη σκανδάλη διακόπτη για να σταματήσει.

► **Εικ.19:** 1. Σκανδάλη διακόπτης 2. Κουμπί απασφάλισης

ΕΙΔΟΠΟΙΗΣΗ: Μην τραβάτε τη σκανδάλη διακόπτη δυνατά χωρίς να πατήσετε μέσα το κουμπί απασφάλισης. Αυτό μπορεί να προκαλέσει βλάβη του διακόπτη.

Επιλογέας ρύθμισης ταχύτητας

Αν περιστρέψετε τον επιλογέα ρύθμισης, μπορείτε να ρυθμίσετε την ταχύτητα του εργαλείου. Η ταχύτητα της περιστροφής λάμας αυξάνεται καθώς αυξάνετε τον αριθμό στον επιλογέα ρύθμισης ταχύτητας.

► **Εικ.20:** 1. Επιλογέας ρύθμισης ταχύτητας

Ανατρέξτε στον πίνακα για να επιλέξετε τη σωστή ταχύτητα για το τεμάχιο εργασίας που θα κόψετε. Η κατάλληλη ταχύτητα, όμως, μπορεί να διαφέρει ανάλογα με τον τύπο ή το πάχος του τεμαχίου εργασίας. Σε γενικές γραμμές, αν χρησιμοποιείτε υψηλότερες ταχύτητες, θα κόβετε τα τεμάχια εργασίας πιο γρήγορα, αλλά θα μειωθεί η διάρκεια λειτουργίας της λάμας.

| Αριθμός | Ταχύτητα περιστροφής λάμας ανά λεπτό (min ⁻¹) |
|---------|---|
| 1 | 2.500 min ⁻¹ |
| 2 | 2.900 min ⁻¹ |
| 3 | 3.900 min ⁻¹ |
| 4 | 4.900 min ⁻¹ |
| 5 | 6.300 min ⁻¹ |

▲ΠΡΟΣΟΧΗ: Ο επιλογέας ρύθμισης ταχύτητας δεν προορίζεται για τη χρήση λαμών πριονιού που προορίζονται για χαμηλή ταχύτητα, αλλά για τη λήψη μιας ταχύτητας που είναι κατάλληλη για το υλικό του τεμαχίου εργασίας. Χρησιμοποιείτε μόνο λάμες πριονιού που είναι οι συνιστώμενες τουλάχιστον για τη μέγιστη ταχύτητα χωρίς φορτίο που αναγράφεται στα ΠΡΟΔΙΑΓΡΑΦΕΣ.

ΕΙΔΟΠΟΙΗΣΗ: Ο επιλογέας ρύθμισης ταχύτητας μπορεί να περιστραφεί μόνο μέχρι το 5 και ξανά στο 1. Μην το εξαναγκάσετε μετά το 5 ή το 1, διαφορετικά η ρύθμιση ταχύτητας δεν θα λειτουργεί.

Ηλεκτρονική λειτουργία

Τα εργαλεία που είναι εξοπλισμένα με ηλεκτρονική λειτουργία είναι εύκολα στη χρήση λόγω των ακόλουθων χαρακτηριστικών.

Προστατευτικό υπερφόρτωσης

Όταν το εργαλείο υπερφορτωθεί και ρέει ρεύμα πάνω από ένα ορισμένο επίπεδο, σταματάει η λειτουργία του εργαλείου αυτόματα για να προστατευτεί το μοτέρ.

Έλεγχος σταθερής ταχύτητας

Ηλεκτρονικός έλεγχος ταχύτητας για επίτευξη σταθερής ταχύτητας. Μπορείτε να έχετε ένα κομψό αποτέλεσμα επειδή η ταχύτητα περιστροφής διατηρείται σταθερή ακόμα και όταν το εργαλείο υποβάλλεται σε φόρτο.

Δυνατότητα ομαλής έναρξης

Ομαλή έναρξη επειδή καταστέλλεται η αιφνίδια έναρξη.

ΣΥΝΑΡΜΟΛΟΓΗΣΗ

▲ΠΡΟΣΟΧΗ: Να βεβαιώνετε πάντα ότι το εργαλείο είναι σβηστό και η κασέτα μπαταρίας έχει αφαιρεθεί πριν εκτελέσετε κάποια εργασία στο εργαλείο.

Φύλαξη εξαγωνικού κλειδιού

Όταν δεν χρησιμοποιείτε το εξαγωνικό κλειδί, αποθηκεύστε το όπως απεικονίζεται, για να μην το χάσετε.

► **Εικ.21:** 1. Εξαγωνικό κλειδί

Αφαίρεση ή τοποθέτηση της λάμας δισκοπριονίου

▲ΠΡΟΣΟΧΗ: Βεβαιωθείτε ότι η λάμα δισκοπριονίου έχει τοποθετηθεί με τα δόντια κατευθυνόμενα προς τα πάνω στο μπροστινό μέρος του εργαλείου.

▲ΠΡΟΣΟΧΗ: Χρησιμοποιείτε μόνο το κλειδί Makita για την τοποθέτηση ή την αφαίρεση της λάμας δισκοπριονίου.

Για αφαίρεση της λάμας δισκοπριονίου:

1. Πατήστε το κουμπί απασφάλισης και χαμηλώστε λίγο τη λαβή. Περιστρέψτε το μοχλό ασφάλισης και χαμηλώστε τη λαβή μέχρι ο πείρος ασφάλισης να ταιριάζει στην οπή.

► **Εικ.22:** 1. Κουμπί απασφάλισης 2. Μοχλός ασφάλισης 3. Πείρος ασφάλισης 4. Οπή για πείρο ασφάλισης

2. Πατήστε πλήρως το κλειδί άξονα έτσι ώστε η λάμα να μην μπορεί να περιστραφεί και χρησιμοποιήστε το εξαγωνικό κλειδί για να χαλαρώσετε το εξάγωνο μπουλόνι.

► **Εικ.23:** 1. Κλειδί άξονα 2. Εξαγωνικό κλειδί 3. Σφίξτε 4. Ξεσφίξτε

3. Αφαιρέστε το εξάγωνο μπουλόνι, την εξωτερική φλάντζα και τη λάμα δισκοπριονίου.

► **Εικ.24:** 1. Εξαγωνικό μπουλόνι 2. Εξωτερική φλάντζα 3. Εσωτερική φλάντζα 4. Λάμα δισκοπριονίου

▲ΠΡΟΕΙΔΟΠΟΙΗΣΗ: Αν αφαιρεθεί η εσωτερική φλάντζα, βεβαιωθείτε να την τοποθετήσετε τον αξόνισκο. Κατά την τοποθέτηση, επιλέξτε την κατάλληλη πλευρά στην οποία η προεξοχή ταιριάζει καλά στην οπή της λάμας πριονιού. Η στερέωση της λάμας στη λανθασμένη πλευρά μπορεί να οδηγήσει σε επικίνδυνο κραδασμό.

Για να τοποθετήσετε τη λάμα δισκοπριονίου, ακολουθήστε τη διαδικασία αφαίρεσης με αντίστροφη σειρά. Πατήστε το κουμπί απασφάλισης για να ελευθερωθεί τον πείρο ασφάλισης από την οπή.

▲ΠΡΟΕΙΔΟΠΟΙΗΣΗ: ΒΕΒΑΙΩΘΕΙΤΕ ΝΑ ΣΦΙΞΕΤΕ ΚΑΛΑ ΤΟ ΕΞΑΓΩΝΙΚΟ ΜΠΟΥΛΟΝΙ. Επίσης, να προσέχετε να μην σφίξτε το μπουλόνι με δύναμη. Αν το χέρι σας γλιστρήσει από το εξαγωνικό κλειδί, μπορεί να προκληθεί ατομικός τραυματισμός.

Καθαρισμός προφυλακτήρα λάμας

Όταν αλλάξετε τη λάμα δισκοπριονίου, φροντίστε να καθαρίσετε και τον προφυλακτήρα λάμας από τα συσσωρευμένα πριονίδια όπως συζητήθηκε στην παράγραφο «Συντήρηση». Οι ενέργειες αυτές δεν αντικαθιστούν την ανάγκη να ελέγχετε τη λειτουργία του προφυλακτήρα πριν από κάθε χρήση.

Σύνδεση με ηλεκτρική σκούπα

Προαιρετικό εξάρτημα

Όταν θέλετε να εκτελέσετε κοπές καθαρά, συνδέστε την ηλεκτρική σκούπα της Makita στο εργαλείο που διαθέτετε. Συνδέστε τον εύκαμπτο σωλήνα της ηλεκτρικής σκούπας στο ακροφύσιο σκόνης χρησιμοποιώντας τα μπροστινά στόμια 24.

- **Εικ.25:** 1. Εύκαμπτος σωλήνας της ηλεκτρικής σκούπας 2. Μπροστινά στόμια 24
3. Ακροφύσιο σκόνης

ΛΕΙΤΟΥΡΓΙΑ

▲ ΠΡΟΣΟΧΗ: Βεβαιωθείτε ότι μετακινείτε το εργαλείο απαλά προς τα εμπρός σε μια ευθεία γραμμή. Αν πιέσετε ή συστρέψετε το εργαλείο, θα έχει ως αποτέλεσμα την υπερθέρμανση του μοτέρ και επικίνδυνο κλότσημα, που πιθανώς να προκαλέσει σοβαρό τραυματισμό.

▲ ΠΡΟΣΟΧΗ: Μην πλησιάζετε ποτέ οποιοδήποτε μέρος του σώματός σας κάτω από τη βάση εργαλείου όταν κόβετε τομές, ειδικά κατά την εκκίνηση. Αν το κάνετε αυτό, μπορεί να προκληθούν σοβαροί ατομικοί τραυματισμοί. Η λάμα είναι εκτεθειμένη κάτω από τη βάση εργαλείου.

ΠΑΡΑΤΗΡΗΣΗ: Όταν η θερμοκρασία της κασέτας μπαταριών είναι χαμηλή, το εργαλείο μπορεί να μη λειτουργεί με την πλήρη ικανότητά του. Αυτή τη στιγμή, για παράδειγμα, να χρησιμοποιείτε το εργαλείο για ελαφριές κοπές, μέχρι η κασέτα μπαταριών να θερμανθεί μέχρι τη θερμοκρασία δωματίου. Κατόπιν, μπορείτε να χρησιμοποιήσετε το εργαλείο στην πλήρη ικανότητά του.

Κοπή τομών (συνηθισμένο πριόνισμα)

► Εικ.26

Κρατάτε το εργαλείο σταθερά. Το εργαλείο παρέχεται με μπροστινή λαβή και με πίσω χειρολαβή. Χρησιμοποιείτε και τις δύο για καλό κράτημα του εργαλείου. Αν κρατάτε το πριόνι και με τα δύο χέρια, δεν είναι δυνατό να κοπών από τη λάμα δισκοπριονίου. Θέστε τη βάση στο τεμάχιο εργασίας που πρόκειται να κοπεί χωρίς η λάμα δισκοπριονίου να κάνει καμία επαφή. Μετά πατήστε το κουμπί ασφαλίσης και τραβήξτε τη σκανδάλη διακόπτη. Περιμένετε μέχρι η λάμα δισκοπριονίου φτάσει στην πλήρη ταχύτητά της. Τώρα, πιέστε την κεφαλή πριονιού αργά προς τα κάτω μέχρι το προκαθορισμένο βάθος κοπής και απλώς μετακινήστε το εργαλείο προς τα εμπρός πάνω στην επιφάνεια του τεμαχίου εργασίας, κρατώντας το επίπεδο και προωθώντας το ομαλά μέχρι να ολοκληρωθεί η κοπή.

Για να έχετε καθαρές κοπές, να κρατάτε τη γραμμική κοπή ευθεία και την ταχύτητα προώθησης ομοιόμορφη. Αν η κοπή δεν ακολουθήσει σωστά την προοριζόμενη γραμμή κοπής, μην επιχειρήσετε να γυρίσετε ή να πιέσετε το εργαλείο ξανά στη γραμμή κοπής. Αν το κάνετε αυτό, μπορεί να πιστεί η λάμα δισκοπριονίου και να προκληθεί επικίνδυνο κλότσημα ή πιθανός σοβαρός τραυματισμός. Αφήστε το διακόπτη, περιμένετε να ακινητοποιηθεί η λάμα δισκοπριονίου και μετά αποσυρете το εργαλείο. Ευθυγραμμίστε ξανά το εργαλείο σε καινούργια γραμμή κοπής και ξεκινήστε ξανά την κοπή. Προσπαθήστε να αποφύγετε θέσεις που εκθέτουν τον χειριστή στα πριονίδια και την ξυλόσκονη που εκπνέονται από το πριόνι. Χρησιμοποιήστε προστασία ματιών για την αποφυγή τραυματισμού.

Ράγα οδήγησης

Προαιρετικό εξάρτημα

Τοποθετήστε το εργαλείο στο πίσω μέρος της ράγας οδήγησης. Περιστρέψτε τις δύο βίδες ρύθμισης της βάσης εργαλείου για να ολισθαίνει το εργαλείο ομαλά χωρίς κρότο. Κρατάτε σταθερά την μπροστινή λαβή και την πίσω χειρολαβή του εργαλείου. Ενεργοποιήστε το εργαλείο, πιέστε το εργαλείο προς τα κάτω στο επιθυμητό βάθος κοπής και κόψτε τον προφυλακτήρα σκλήθρων σε ολόκληρο το μήκος με μια διαδρομή. Τώρα το άκρο του προφυλακτήρα σκλήθρων αντιστοιχεί στο άκρο κοπής.

- **Εικ.27:** 1. Βίδες ρύθμισης

Όταν εκτελείται κωνική κοπή με τη ράγα οδήγησης, χρησιμοποιήστε το μοχλό ολίσθησης για να εμποδίσετε την πτώση του εργαλείου. Μετακινήστε το μοχλό ολίσθησης στη βάση εργαλείου προς την κατεύθυνση του βέλους ώστε να δεσμευτεί στην εγκοπή υποτομής στη ράγα οδήγησης.

- **Εικ.28:** 1. Μοχλός ολίσθησης

Βοηθητική βάση (κανόνας οδηγός)

Προαιρετικό εξάρτημα

Όταν χρησιμοποιείτε τη βοηθητική βάση ως κανόνα οδηγό, μπορείτε να εκτελέσετε εξαιρετικά ακριβείς ίσιες κοπές. Χαλαρώστε τις βίδες σύσφιξης και σύρετε τη βοηθητική βάση εκτός του εργαλείου και μετά εισαγάγετέ τη ανάποδα.

- **Εικ.29:** 1. Βίδα σύσφιξης 2. Βοηθητική βάση

Απλά ολισθήστε τον φράχτη της βοηθητικής βάσης εφαρμοστά επάνω στη πλευρά του τεμαχίου εργασίας και ασφαλίστε τον στη κατάλληλη θέση με τις βίδες σύσφιξης. Επιπλέον καθιστά δυνατό να εκτελεστούν επαναληπτικές κοπές με ομοιόμορφο πλάτος.

- **Εικ.30:** 1. Βίδα σύσφιξης 2. Βοηθητική βάση

Βαθιά κοπή (αποτύπωση)

▲ ΠΡΟΕΙΔΟΠΟΙΗΣΗ: Για την αποφυγή κλοστήματος, βεβαιωθείτε να τηρήσετε τις ακόλουθες οδηγίες.

- **Εικ.31:** 1. Πίσω άκρο της βάσης εργαλείου
2. Σταθερός αναστολέας

Όταν χρησιμοποιείτε το εργαλείο χωρίς ράγα οδήγησης, τοποθετήστε το εργαλείο στο τεμάχιο εργασίας με το πίσω άκρο της βάσης εργαλείου επάνω σε έναν σταθερό αναστολέα ή ισοδύναμο που έχει κατασκευάσει ο χειριστής.

Όταν χρησιμοποιείτε το εργαλείο με ράγα οδήγησης, τοποθετήστε το εργαλείο στη ράγα οδήγησης με το πίσω άκρο της βάσης εργαλείου επάνω σε έναν σταθερό αναστολέα ή ισοδύναμο που έχει στερεωθεί στη ράγα οδήγησης.

Κρατάτε το εργαλείο σταθερά με το ένα χέρι στην μπροστινή λαβή και το άλλο χέρι στη χειρολαβή εργαλείου. Μετά, πατήστε το κουμπί απασφάλισης και ενεργοποιήστε το εργαλείο, και περιμένετε έως ότου η λάμα αποκτήσει την πλήρη ταχύτητά της. Τώρα, πιέστε την κεφαλή πριονιού αργά προς τα κάτω μέχρι το προκαθορισμένο βάθος κοπής και απλώς μετακινήστε το εργαλείο προς τα μπροστά μέχρι την επιθυμητή θέση έμπηξης.

ΠΑΡΑΤΗΡΗΣΗ: Οι επισημάνσεις στην πλευρά του προφολακτικού λάμας δείχνουν τα απόλυτα μπροστινά και πίσω σημεία κοπής της λάμας πριονιού στο μέγιστο βάθος κοπής όταν χρησιμοποιείται η ράγα οδήγησης.

► **Εικ.32:** 1. Σημείο μπροστινής κοπής 2. Σημείο πίσω κοπής

Συσκευή οδήγησης

Προαιρετικό εξάρτημα

Η χρήση του κωνικού οδηγού επιτρέπει ακριβείς λοξές κοπές με γωνίες και σημεία ένωσης.

Η χρήση του σφιγκτήρα εξασφαλίζει τη σταθερή συγκράτηση του τεμαχίου εργασίας στον πάγκο.

ΛΕΙΤΟΥΡΓΙΑ ΑΣΥΡΜΑΤΗΣ ΕΝΕΡΓΟΠΟΙΗΣΗΣ

Για DSP601 μόνο

Τι μπορείτε να κάνετε με τη λειτουργία ασύρματης ενεργοποίησης

Η λειτουργία ασύρματης ενεργοποίησης επιτρέπει την καθαρή και άνετη λειτουργία. Αν συνδέσετε μια υποστηρίξιμη ηλεκτρική σκούπα στο εργαλείο, μπορείτε να χρησιμοποιείτε την ηλεκτρική σκούπα αυτόματα μαζί με τη λειτουργία διακόπτη του εργαλείου.

► **Εικ.33**

Για να χρησιμοποιήσετε τη λειτουργία ασύρματης ενεργοποίησης, προετοιμάστε τα ακόλουθα στοιχεία:

- Μια ασύρματη μονάδα
- Ηλεκτρική σκούπα που υποστηρίζει τη λειτουργία ασύρματης ενεργοποίησης

Η σύνοψη της ρύθμισης λειτουργίας ασύρματης ενεργοποίησης είναι η εξής. Ανατρέξτε σε κάθε τμήμα για λεπτομερείς διαδικασίες.

1. Εγκατάσταση της ασύρματης μονάδας
2. Καταχώρηση εργαλείου για την ηλεκτρική σκούπα
3. Έναρξη της λειτουργίας ασύρματης ενεργοποίησης

Εγκατάσταση της ασύρματης μονάδας

▲ ΠΡΟΣΟΧΗ: Τοποθετήστε το εργαλείο σε μια επίπεδη και σταθερή επιφάνεια όταν εγκαθιστάτε την ασύρματη μονάδα.

ΕΙΔΟΠΟΙΗΣΗ: Καθαρίστε τη σκόνη και τη βρομιά στο εργαλείο πριν τοποθετήσετε την ασύρματη μονάδα. Η σκόνη ή η βρομιά μπορεί να προκαλέσει δυσλειτουργία αν έρθει σε επαφή με τη σχισμή της ασύρματης μονάδας.

ΕΙΔΟΠΟΙΗΣΗ: Για να αποτρέψετε τη δυσλειτουργία που προκαλείται από στατικό ηλεκτρισμό, αγγίξτε κάποιο υλικό στατικής εκκένωσης, όπως ένα μεταλλικό εξάρτημα του εργαλείου, πριν σηκώσετε την ασύρματη μονάδα.

ΕΙΔΟΠΟΙΗΣΗ: Όταν τοποθετείτε την ασύρματη μονάδα, να βεβαιώνεται πάντα ότι η ασύρματη μονάδα έχει εισαχθεί με τη σωστή κατεύθυνση και το καπάκι είναι εντελώς κλειστό.

1. Ανοίξτε το καπάκι στο εργαλείο όπως απεικονίζεται στην εικόνα.

► **Εικ.34:** 1. Καπάκι

2. Εισαγάγετε την ασύρματη μονάδα στη σχισμή και μετά κλείστε το καπάκι.

Όταν εισαγάγετε την ασύρματη μονάδα, ευθυγραμμίστε τις προεξοχές με τα βαθουλωτά τμήματα στη σχισμή.

► **Εικ.35:** 1. Ασύρματη μονάδα 2. Προεξοχή 3. Καπάκι 4. Βαθουλωτό τμήμα

Όταν αφαιρείτε την ασύρματη μονάδα, ανοίξτε το καπάκι αργά. Οι γάντζοι στο πίσω μέρος του καπακιού θα σηκώσουν την ασύρματη μονάδα καθώς τραβάτε το καπάκι προς τα πάνω.

► **Εικ.36:** 1. Ασύρματη μονάδα 2. Γάντζος 3. Καπάκι

Αφού αφαιρέσετε την ασύρματη μονάδα, να τη διατηρείτε μέσα στην παρεχόμενη θήκη ή μέσα σε δοχείο χωρίς στατικό ηλεκτρισμό.

ΕΙΔΟΠΟΙΗΣΗ: Να χρησιμοποιείτε πάντα τους γάντζους στο πίσω μέρος του καπακιού όταν αφαιρείτε την ασύρματη μονάδα. Αν οι γάντζοι δεν ασφαλίσουν την ασύρματη μονάδα, κλείστε εντελώς το καπάκι και ανοίξτε το ξανά αργά.

Καταχώρηση εργαλείου για την ηλεκτρική σκούπα

ΠΑΡΑΤΗΡΗΣΗ: Για την καταχώρηση εργαλείου, απαιτείται ηλεκτρική σκούπα Makita που υποστηρίζει τη λειτουργία ασύρματης ενεργοποίησης.

ΠΑΡΑΤΗΡΗΣΗ: Ολοκληρώστε την εγκατάσταση της ασύρματης μονάδας στο εργαλείο πριν ξεκινήσετε τη καταχώρηση εργαλείου.

ΠΑΡΑΤΗΡΗΣΗ: Κατά την καταχώρηση εργαλείου, μην τραβήξετε τη σκανδάλη διακόπτη ούτε να ενεργοποιήσετε το διακόπτη λειτουργίας στην ηλεκτρική σκούπα.

ΠΑΡΑΤΗΡΗΣΗ: Ανατρέξτε και στο εγχειρίδιο οδηγιών της ηλεκτρικής σκούπας.

Αν επιθυμείτε να ενεργοποιήσετε την ηλεκτρική σκούπα μαζί με τη λειτουργία διακόπτη του εργαλείου, ολοκληρώστε εκ των προτέρων την καταχώρηση εργαλείου.

1. Τοποθετήστε τις μπαταρίες στην ηλεκτρική σκούπα και στο εργαλείο.

2. Θέστε τον διακόπτη αναμονής στην ηλεκτρική σκούπα στη θέση «ΑΥΤΟ».

► **Εικ.37:** 1. Διακόπτης αναμονής

3. Πατήστε το κουμπί ασύρματης ενεργοποίησης στην ηλεκτρική σκούπα για 3 δευτερόλεπτα μέχρι η λυχνία ασύρματης ενεργοποίησης αναβοσβήνει με πράσινο χρώμα. Και μετά πατήστε το κουμπί ασύρματης ενεργοποίησης στο εργαλείο με τον ίδιο τρόπο.

► **Εικ.38:** 1. Κουμπί ασύρματης ενεργοποίησης
2. Λυχνία ασύρματης ενεργοποίησης

Αν η ηλεκτρική σκούπα και το εργαλείο συνδεθούν με επιτυχία, οι λυχνίες ασύρματης ενεργοποίησης θα ανάψουν με πράσινο χρώμα για 2 δευτερόλεπτα και θα αρχίσουν να αναβοσβήνουν με μπλε χρώμα.

ΠΑΡΑΤΗΡΗΣΗ: Οι λυχνίες ασύρματης ενεργοποίησης θα αρχίσουν να αναβοσβήνουν με πράσινο χρώμα αφού περάσουν 20 δευτερόλεπτα. Πατήστε το κουμπί ασύρματης ενεργοποίησης στο εργαλείο ενώ η λυχνία ασύρματης ενεργοποίησης αναβοσβήνει στην ηλεκτρική σκούπα. Αν η λυχνία ασύρματης ενεργοποίησης δεν αναβοσβήνει με πράσινο χρώμα, πατήστε για λίγο το κουμπί ασύρματης ενεργοποίησης και κρατήστε το ξανά πατημένο.

ΠΑΡΑΤΗΡΗΣΗ: Όταν εκτελείτε δύο ή περισσότερες καταχωρήσεις εργαλείων για μία ηλεκτρική σκούπα, ολοκληρώστε την καταχώρηση εργαλείου ένα τη φορά.

Έναρξη της λειτουργίας ασύρματης ενεργοποίησης

ΠΑΡΑΤΗΡΗΣΗ: Ολοκληρώστε την καταχώρηση εργαλείου για την ηλεκτρική σκούπα πριν από την ασύρματη ενεργοποίηση.

ΠΑΡΑΤΗΡΗΣΗ: Ανατρέξτε και στο εγχειρίδιο οδηγιών της ηλεκτρικής σκούπας.

Αφού καταχωρήσετε ένα εργαλείο με την ηλεκτρική σκούπα, η ηλεκτρική σκούπα θα λειτουργεί αυτόματα μαζί με τη λειτουργία διακόπτη του εργαλείου.

1. Εγκαταστήστε την ασύρματη μονάδα στο εργαλείο.

2. Συνδέστε τον εύκαμπο σωλήνα της ηλεκτρικής σκούπας με το εργαλείο.

► **Εικ.39**

3. Θέστε τον διακόπτη αναμονής στην ηλεκτρική σκούπα στη θέση «ΑΥΤΟ».

► **Εικ.40:** 1. Διακόπτης αναμονής

4. Πατήστε σύντομα το κουμπί ασύρματης ενεργοποίησης στο εργαλείο. Η λυχνία ασύρματης ενεργοποίησης θα αναβοσβήνει με μπλε χρώμα.

► **Εικ.41:** 1. Κουμπί ασύρματης ενεργοποίησης
2. Λυχνία ασύρματης ενεργοποίησης

5. Τραβήξτε τη σκανδάλη διακόπτη του εργαλείου. Ελέγξτε αν η ηλεκτρική σκούπα λειτουργεί όσο τραβάτε τη σκανδάλη διακόπτη.

Για να σταματήσετε την ασύρματη ενεργοποίηση της ηλεκτρικής σκούπας, πατήστε το κουμπί ασύρματης ενεργοποίησης στο εργαλείο.

ΠΑΡΑΤΗΡΗΣΗ: Η λυχνία ασύρματης ενεργοποίησης στο εργαλείο θα σταματήσει να αναβοσβήνει με μπλε χρώμα όταν δεν υπάρχει λειτουργία για 2 ώρες. Σε αυτή την περίπτωση, θέστε το διακόπτη αναμονής στην ηλεκτρική σκούπα στη θέση «ΑΥΤΟ» και πατήστε ξανά το κουμπί ασύρματης ενεργοποίησης στο εργαλείο.

ΠΑΡΑΤΗΡΗΣΗ: Η ηλεκτρική σκούπα αρχίζει/σταματάει με καθυστέρηση. Υπάρχει χρονική καθυστέρηση όταν η ηλεκτρική σκούπα ανιχνεύει τη λειτουργία διακόπτη του εργαλείου.






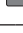



ΠΑΡΑΤΗΡΗΣΗ: Η απόσταση μετάδοσης της ασύρματης μονάδας μπορεί να ποικίλλει ανάλογα με την τοποθεσία και τις περιβάλλουσες συνθήκες.

ΠΑΡΑΤΗΡΗΣΗ: Όταν δύο ή περισσότερα εργαλεία καταχωρούνται σε μία ηλεκτρική σκούπα, η ηλεκτρική σκούπα μπορεί να αρχίσει να λειτουργεί ακόμη κι αν δεν τραβήξετε τη σκανδάλη διακόπτη επειδή κάποιος άλλος χρήστης χρησιμοποιεί τη λειτουργία ασύρματης ενεργοποίησης.

Περιγραφή της κατάστασης της λυχνίας ασύρματης ενεργοποίησης

► Εικ.42: 1. Λυχνία ασύρματης ενεργοποίησης

Η λυχνία ασύρματης ενεργοποίησης δείχνει την κατάσταση της λειτουργίας ασύρματης ενεργοποίησης. Ανατρέξτε στον παρακάτω πίνακα για τη σημασία της κατάστασης λυχνίας.

| Κατάσταση | Λυχνία ασύρματης ενεργοποίησης | | | Περιγραφή | |
|-------------------------------|--------------------------------|--|---|------------------------------|--|
| | Χρώμα |  Αναμμένη |  Αναβοσβήνει | | Διάρκεια |
| Αναμονή | Μπλε |  | | 2 ώρες | Η ασύρματη ενεργοποίηση της ηλεκτρικής σκούπας είναι διαθέσιμη. Η λυχνία θα σβήσει αυτόματα όταν δεν εκτελεστεί καμία λειτουργία για 2 ώρες. |
| | |  | | Όταν το εργαλείο λειτουργεί. | Η ασύρματη ενεργοποίηση της ηλεκτρικής σκούπας είναι διαθέσιμη και το εργαλείο λειτουργεί. |
| Καταχώρηση εργαλείου | Πράσινη |  | | 20 δευτερόλεπτα | Έτοιμο για καταχώρηση εργαλείου. Σε αναμονή για καταχώρηση από την ηλεκτρική σκούπα. |
| | |  | | 2 δευτερόλεπτα | Η καταχώρηση εργαλείου έχει ολοκληρωθεί. Η λυχνία ασύρματης ενεργοποίησης θα αρχίσει να αναβοσβήνει με μπλε χρώμα. |
| Ακύρωση καταχώρησης εργαλείου | Κόκκινη |  | | 20 δευτερόλεπτα | Έτοιμο για ακύρωση της καταχώρησης εργαλείου. Σε αναμονή για ακύρωση από την ηλεκτρική σκούπα. |
| | |  | | 2 δευτερόλεπτα | Η ακύρωση της καταχώρησης εργαλείου έχει ολοκληρωθεί. Η λυχνία ασύρματης ενεργοποίησης θα αρχίσει να αναβοσβήνει με μπλε χρώμα. |
| Άλλες | Κόκκινη |  | | 3 δευτερόλεπτα | Η ισχύς παρέχεται στην ασύρματη μονάδα και η λειτουργία ασύρματης ενεργοποίησης εκκινείται. |
| | Σβηστή | - | | - | Η ασύρματη ενεργοποίηση της ηλεκτρικής σκούπας έχει σταματήσει. |

Ακύρωση καταχώρησης εργαλείου για την ηλεκτρική σκούπα

Εκτελέστε την ακόλουθη διαδικασία όταν ακυρώνετε την καταχώρηση εργαλείου για την ηλεκτρική σκούπα.

1. Τοποθετήστε τις μπαταρίες στην ηλεκτρική σκούπα και στο εργαλείο.
2. Θέστε τον διακόπτη αναμονής στην ηλεκτρική σκούπα στη θέση «AUTO».

► Εικ.43: 1. Διακόπτης αναμονής

3. Πατήστε το κουμπί ασύρματης ενεργοποίησης στην ηλεκτρική σκούπα για 6 δευτερόλεπτα. Η λυχνία ασύρματης ενεργοποίησης αναβοσβήνει με πράσινο χρώμα και μετά γίνεται κόκκινη. Μετά από αυτό, πατήστε το κουμπί ασύρματης ενεργοποίησης στο εργαλείο με τον ίδιο τρόπο.

- Εικ.44: 1. Κουμπί ασύρματης ενεργοποίησης
2. Λυχνία ασύρματης ενεργοποίησης

Αν η ακύρωση εκτελεστεί με επιτυχία, οι λυχνίες ασύρματης ενεργοποίησης θα ανάψουν με κόκκινο χρώμα για 2 δευτερόλεπτα και θα αρχίσουν να αναβοσβήνουν με μπλε χρώμα.

ΠΑΡΑΤΗΡΗΣΗ: Οι λυχνίες ασύρματης ενεργοποίησης θα αρχίσουν να αναβοσβήνουν με κόκκινο χρώμα αφού περάσουν 20 δευτερόλεπτα. Πατήστε το κουμπί ασύρματης ενεργοποίησης στο εργαλείο ενώ η λυχνία ασύρματης ενεργοποίησης αναβοσβήνει στην ηλεκτρική σκούπα. Αν η λυχνία ασύρματης ενεργοποίησης δεν αναβοσβήνει με κόκκινο χρώμα, πατήστε για λίγο το κουμπί ασύρματης ενεργοποίησης και κρατήστε το ξανά πατημένο.

Αντιμετώπιση προβλημάτων για τη λειτουργία ασύρματης ενεργοποίησης

Πριν ζητήσετε επισκευές, εκτελέστε αρχικά τη δική σας επιθεώρηση. Αν εντοπίσετε πρόβλημα που δεν επεξηγείται στο εγχειρίδιο, μην επιχειρήσετε να αποσυναρμολογήσετε το εργαλείο. Αντ' αυτού, ζητήστε βοήθεια από εξουσιοδοτημένα κέντρα εξυπηρέτησης της Makita και πάντοτε να χρησιμοποιείτε γνήσια ανταλλακτικά της Makita.

| Κατάσταση προβλήματος | Πιθανή αιτία (δυσλειτουργία) | Αποκατάσταση |
|---|--|---|
| Η λυχνία ασύρματης ενεργοποίησης δεν ανάβει/αναβοσβήνει. | Η ασύρματη μονάδα δεν είναι εγκατεστημένη στο εργαλείο. Η ασύρματη μονάδα είναι εγκατεστημένη στο εργαλείο λανθασμένα. | Τοποθετήστε σωστά την ασύρματη μονάδα. |
| | Ο ακροδέκτης της ασύρματης μονάδας ή/και η σχισμή είναι βρόμικα. | Σκουπίστε απαλά τη σκόνη και τη βρομιά από τον ακροδέκτη της ασύρματης μονάδας και καθαρίστε τη σχισμή. |
| | Το κουμπί ασύρματης ενεργοποίησης στο εργαλείο δεν έχει πατηθεί. | Πατήστε σύντομα το κουμπί ασύρματης ενεργοποίησης στο εργαλείο. |
| | Ο διακόπτης αναμονής στην ηλεκτρική σκούπα δεν έχει τεθεί στη θέση «AUTO». | Θέστε τον διακόπτη αναμονής στην ηλεκτρική σκούπα στη θέση «AUTO». |
| | Δεν υπάρχει παροχή ρεύματος | Παρέχετε ισχύ στο εργαλείο και την ηλεκτρική σκούπα. |
| Δεν είναι δυνατή η ολοκλήρωση της καταχώρησης εργαλείου / ακύρωσης καταχώρησης εργαλείου με επιτυχία. | Η ασύρματη μονάδα δεν είναι εγκατεστημένη στο εργαλείο. Η ασύρματη μονάδα είναι εγκατεστημένη στο εργαλείο λανθασμένα. | Τοποθετήστε σωστά την ασύρματη μονάδα. |
| | Ο ακροδέκτης της ασύρματης μονάδας ή/και η σχισμή είναι βρόμικα. | Σκουπίστε απαλά τη σκόνη και τη βρομιά από τον ακροδέκτη της ασύρματης μονάδας και καθαρίστε τη σχισμή. |
| | Ο διακόπτης αναμονής στην ηλεκτρική σκούπα δεν έχει τεθεί στη θέση «AUTO». | Θέστε τον διακόπτη αναμονής στην ηλεκτρική σκούπα στη θέση «AUTO». |
| | Δεν υπάρχει παροχή ρεύματος | Παρέχετε ισχύ στο εργαλείο και την ηλεκτρική σκούπα. |
| | Λανθασμένη λειτουργία | Πατήστε σύντομα το κουμπί ασύρματης ενεργοποίησης και πραγματοποιήστε ξανά τις διαδικασίες καταχώρησης/ακύρωσης εργαλείου. |
| | Το εργαλείο και η ηλεκτρική σκούπα βρίσκονται σε αρκετή απόσταση μεταξύ τους (εκτός του εύρους μετάδοσης). | Φέρετε το εργαλείο και την ηλεκτρική σκούπα πιο κοντά. Η μέγιστη απόσταση μετάδοσης είναι περίπου 10 μέτρα, ωστόσο, μπορεί να διαφέρει ανάλογα με τις συνθήκες. |
| | Πριν ολοκληρώσετε την καταχώρηση/ακύρωση εργαλείου, - τραβήξτε τη σκανδάλη διακόπτη στο εργαλείο, ή - ενεργοποιήστε το κουμπί λειτουργίας στην ηλεκτρική σκούπα. | Πατήστε σύντομα το κουμπί ασύρματης ενεργοποίησης και πραγματοποιήστε ξανά τις διαδικασίες καταχώρησης/ακύρωσης εργαλείου. |
| | Δεν έχουν ολοκληρωθεί οι διαδικασίες καταχώρησης εργαλείου για το εργαλείο ή την ηλεκτρική σκούπα. | Εκτελέστε τις διαδικασίες καταχώρησης εργαλείου για το εργαλείο και την ηλεκτρική σκούπα ταυτόχρονα. |
| Ραδιοφωνικά παράσιτα από άλλες συσκευές που παράγουν ραδιοκύματα υψηλής έντασης. | Διατηρήστε το εργαλείο και την ηλεκτρική σκούπα μακριά από τις συσκευές, όπως συσκευές Wi-Fi και φούρνους μικροκυμάτων. | |

| Κατάσταση προβλήματος | Πιθανή αιτία (δυσλειτουργία) | Αποκατάσταση |
|---|---|--|
| Η ηλεκτρική σκούπα δεν λειτουργεί μαζί με τη λειτουργία διακοπής του εργαλείου. | Η ασύρματη μονάδα δεν είναι εγκατεστημένη στο εργαλείο. Η ασύρματη μονάδα είναι εγκατεστημένη στο εργαλείο λανθασμένα. | Τοποθετήστε σωστά την ασύρματη μονάδα. |
| | Ο ακροδέκτης της ασύρματης μονάδας ή/και η σχισμή είναι βρόμικα. | Σκουπίστε απαλά τη σκόνη και τη βρομιά από τον ακροδέκτη της ασύρματης μονάδας και καθαρίστε τη σχισμή. |
| | Το κουμπί ασύρματης ενεργοποίησης στο εργαλείο δεν έχει πατηθεί. | Πατήστε για λίγο το κουμπί ασύρματης ενεργοποίησης και βεβαιωθείτε ότι η λυχνία ασύρματης ενεργοποίησης αναβοσβήνει με μπλε χρώμα. |
| | Ο διακόπτης αναμονής στην ηλεκτρική σκούπα δεν έχει τεθεί στη θέση «ΑΥΤΟ». | Θέστε τον διακόπτη αναμονής στην ηλεκτρική σκούπα στη θέση «ΑΥΤΟ». |
| | Περισσότερα από 10 εργαλεία έχουν καταχωρηθεί με την ηλεκτρική σκούπα. | Πραγματοποιήστε ξανά την καταχώρηση εργαλείου. Αν περισσότερα από 10 εργαλεία είναι καταχωρημένα στην ηλεκτρική σκούπα, το εργαλείο που είχε καταχωρηθεί πιο νωρίς θα ακυρωθεί αυτόματα. |
| | Η ηλεκτρική σκούπα έσβησε όλες τις καταχωρήσεις εργαλείων. | Πραγματοποιήστε ξανά την καταχώρηση εργαλείου. |
| | Δεν υπάρχει παροχή ρεύματος | Παρέχετε ισχύ στο εργαλείο και την ηλεκτρική σκούπα. |
| | Το εργαλείο και η ηλεκτρική σκούπα βρίσκονται σε αρκετή απόσταση μεταξύ τους (εκτός του εύρους μετάδοσης). | Φέρετε το εργαλείο και την ηλεκτρική σκούπα πιο κοντά. Η μέγιστη απόσταση μετάδοσης είναι περίπου 10 μέτρα, ωστόσο, μπορεί να διαφέρει ανάλογα με τις συνθήκες. |
| | Ραδιοφωνικά παράσιτα από άλλες συσκευές που παράγουν ραδιοκύματα υψηλής έντασης. | Διατηρήστε το εργαλείο και την ηλεκτρική σκούπα μακριά από τις συσκευές, όπως συσκευές Wi-Fi και φούρνους μικροκυμάτων. |
| Η ηλεκτρική σκούπα λειτουργεί ενώ δεν τραβάτε τη σκανδάλη διακοπής του εργαλείου. | Άλλοι χρήστες χρησιμοποιούν την ασύρματη ενεργοποίηση της ηλεκτρικής σκούπας με τα εργαλεία τους. | Κλείστε το κουμπί ασύρματης ενεργοποίησης των άλλων εργαλείων ή ακυρώστε την καταχώρηση εργαλείου των άλλων εργαλείων. |

ΣΥΝΤΗΡΗΣΗ

▲ ΠΡΟΣΟΧΗ: Πριν την εκτέλεση εργασιών επιθεώρησης ή συντήρησης, πάντοτε να βεβαιώνεται ότι η συσκευή απενεργοποιήθηκε και η κασέτα μπαταριών έχει αφαιρεθεί.

▲ ΠΡΟΣΟΧΗ: Καθαρίστε το προφυλακτικό για να βεβαιωθείτε ότι δεν υπάρχουν συσσωρευμένα πριονίδια, τα οποία μπορεί να εμποδίσουν τη λειτουργία του συστήματος προστασίας. Ένα βρόμικο σύστημα προφυλακτήρων μπορεί να περιορίσει τη σωστή λειτουργία, γεγονός που μπορεί να έχει ως αποτέλεσμα σοβαρό προσωπικό τραυματισμό. Ο πιο αποτελεσματικός τρόπος για να επιτευχθεί αυτός ο καθαρισμός είναι με πεπιεσμένο αέρα. **Αν η σκόνη φυσείται εκτός του προφυλακτήρα, φροντίστε να χρησιμοποιήσετε κατάλληλη προστασία για τα μάτια και το αναπνευστικό σύστημα.**

ΕΙΔΟΠΟΙΗΣΗ: Μην χρησιμοποιείτε ποτέ βενζίνη, πετρελαϊκό αιθέρα, διαλυτικό, αλκοόλη ή παρόμοιες ουσίες. Μπορεί να προκληθεί αποχρωματισμός, παραμόρφωση ή ρωγμές.

Ρύθμιση ακρίβειας κοπής 0° και κοπής 45°

ΕΙΔΟΠΟΙΗΣΗ: Μη δεσμεύετε τους μοχλούς για κωνική γωνία -1° όταν ρυθμίζετε ακρίβεια κοπής 0°.

ΕΙΔΟΠΟΙΗΣΗ: Μη δεσμεύετε το μοχλό για κωνική γωνία 48° όταν ρυθμίζετε ακρίβεια κοπής 45°.

Αυτές οι ρυθμίσεις έχουν γίνει στο εργοστάσιο. Αλλά αν δεν είναι ρυθμισμένες, μπορείτε να τις ρυθμίσετε με τις ακόλουθες διαδικασίες.

- Ξεσφίξτε λίγο τις βίδες σύσφιξης στο μπροστινό και πίσω μέρος του εργαλείου.
- Ρυθμίστε τη γωνία λάμας.
► **Εικ.45:** 1. Τριγωνικός κανόνας

Για να ρυθμίσετε την ακρίβεια κοπής 0°, κάντε τη βάση κάθετη με τη λάμα χρησιμοποιώντας έναν τριγωνικό κανόνα, τετράγωνο κανόνα, κτλ. περιστρέφοντας το ρυθμιστικό μπουλόνι.

- **Εικ.46:** 1. Ρυθμιστικό μπουλόνι για κοπή 0°

Για να ρυθμίσετε την ακρίβεια κοπής 45°, κάντε τη βάση 45° ως προς τη λάμα χρησιμοποιώντας έναν τριγωνικό κανόνα περιστρέφοντας το ρυθμιστικό μπουλόνι.

- **Εικ.47:** 1. Ρυθμιστικό μπουλόνι για κοπή 45°

3. Σφίξτε τις βίδες σύσφιξης και δοκιμάστε μια κοπή.

Για τη διατήρηση της ΑΣΦΑΛΕΙΑΣ και ΑΞΙΟΠΙΣΤΙΑΣ του προϊόντος, οι επισκευές και οποιαδήποτε άλλη εργασία συντήρησης ή ρύθμισης πρέπει να εκτελούνται από εξουσιοδοτημένα ή εργοστασιακά κέντρα εξυπηρέτησης της Makita, χρησιμοποιώντας πάντοτε ανταλλακτικά της Makita.

ΠΡΟΑΙΡΕΤΙΚΑ ΕΞΑΡΤΗΜΑΤΑ

⚠ ΠΡΟΣΟΧΗ: Αυτά τα εξαρτήματα ή προσαρτήματα συνιστώνται για χρήση με το εργαλείο Makita που περιγράφηκε στις οδηγίες αυτές. Η χρήση οποιωνδήποτε άλλων εξαρτημάτων ή προσαρτημάτων μπορεί να προκαλέσει κίνδυνο τραυματισμού σε άτομα. Να χρησιμοποιείτε τα εξαρτήματα ή προσαρτήματα μόνο για την χρήση που προορίζονται.

Εάν χρειάζεστε οποιαδήποτε βοήθεια για περισσότερες πληροφορίες σε σχέση με αυτά τα εξαρτήματα, απαντήστε στο τοπικό σας κέντρο εξυπηρέτησης Makita.

- Λάμα δισκοπρίονου
- Βοηθητική βάση
- Εξαγωνικό κλειδί
- Ράγα οδήγησης
- Κωνικός οδηγός
- Σφιγκτήρας
- Φύλλο
- Ελαστικό φύλλο
- Φύλλο τοποθέτησης
- Ασύρματη μονάδα (για DSP601)
- Γνήσια μπαταρία και φορτιστής της Makita

ΠΑΡΑΤΗΡΗΣΗ: Μερικά στοιχεία στη λίστα μπορεί να συμπεριλαμβάνονται στη συσκευασία εργαλείου ως στάνταρ εξαρτήματα. Μπορεί να διαφέρουν ανάλογα με τη χώρα.

TEKNİK ÖZELLİKLER

| Model: | DSP600 | DSP601 |
|-----------------------|--|--------|
| Bıçak çapı | 165 mm | |
| Maks. kesim derinliği | 0°'de | 56 mm |
| | 45°'de eğimde | 40 mm |
| | 48°'de eğimde | 38 mm |
| Yüksüz hız | 2.500 - 6.300 min ⁻¹ | |
| Toplam uzunluk | 346 mm | |
| Anma voltajı | D.C. 36 V | |
| Batarya kartuşu | BL1815N, BL1820, BL1820B, BL1830, BL1830B, BL1840, BL1840B, BL1850, BL1850B, BL1860B | |
| Şarj aleti | DC18RC, DC18RD, DC18SD, DC18SE, DC18SF | |
| Net ağırlık | 4,4 - 5,1 kg | |

- Sürekli yapılan araştırma ve geliştirmelerden dolayı, burada belirtilen özellikler önceden bildirilmeksizin değiştirilebilir.
- Özellikler ve batarya kartuşu ülkeden ülkeye değişebilir.
- Ağırlık, ekli aksesuar/aksesuarlara ve batarya kartuşuna bağlı olarak farklılık gösterebilir. EPTA-Prosedürü 01/2014'e göre en hafif ve en ağır kombinasyonlar tabloda verilmiştir.

Kullanım amacı

Alet, daldırmalı kesimler yapmak için özel olarak tasarlanmıştır. Alet, ahşap üzerinde enlemesine ve boylama-sına kesimler yapmak için de kullanılabilir. Alet uygun daire testere bıçağı ile donatılırsa alüminyum, plastik, maden içeren plastik ve benzeri materyalleri kesmek için kullanılabilir.

Gürültü

Tipik A-ağırlıklı gürültü düzeyi (EN62841 standardına göre belirlenen):

Model DSP600

Ses basınç seviyesi (L_{pA}): 92 dB (A)

Ses gücü düzeyi (L_{WA}): 103 dB (A)

Belirsizlik (K): 3 dB (A)

Model DSP601

Ses basınç seviyesi (L_{pA}): 92 dB (A)

Ses gücü düzeyi (L_{WA}): 103 dB (A)

Belirsizlik (K): 3 dB (A)

UYARI: Kulak koruyucuları takın.

Titreşim

Titreşim toplam değeri (üç eksenli vektör toplamı) (EN62841 standardına göre hesaplanan):

Model DSP600

Çalışma modu: ahşap kesme

Titreşim emisyonu ($a_{h,W}$): 2,5 m/s²den az

Belirsizlik (K) : 1,5 m/s²

Çalışma modu: metal kesme

Titreşim emisyonu ($a_{h,M}$): 2,5 m/s²den az

Belirsizlik (K) : 1,5 m/s²

Model DSP601

Çalışma modu: ahşap kesme

Titreşim emisyonu ($a_{h,W}$): 2,5 m/s²den az

Belirsizlik (K) : 1,5 m/s²

Çalışma modu: metal kesme

Titreşim emisyonu ($a_{h,M}$): 2,5 m/s²den az

Belirsizlik (K) : 1,5 m/s²

NOT: Beyan edilen titreşim emisyon değeri standart test yöntemine uygun şekilde ölçülmüştür ve bir alet bir başkasıyla karşılaştırmak için kullanılabilir.

NOT: Beyan edilen titreşim emisyon değeri bir ön maruz kalma değerlendirmesi olarak da kullanılabilir.

UYARI: Bu elektrikli aletin gerçek kullanımı sırasındaki titreşim emisyonu aletin kullanım biçimlerine bağlı olarak beyan edilen emisyon değerinden farklı olabilir.

UYARI: Gerçek kullanım koşullarındaki maruz kalmanın bir tahmini hesaplaması temelinde operatörü koruyacak güvenlik önlemlerini mutlaka belirleyin (çalışma döngüsü içerisinde aletin kapalı olduğu ve aktif durumda olmasının yanı sıra boşta çalıştığı zamanlar gibi, bütün zaman dilimleri göz önünde bulundurulur değerlendirilmelidir).

EC Uygunluk Beyanı

Sadece Avrupa ülkeleri için

EC uygunluk beyanı bu kullanım kılavuzuna Ek A olarak eklenmiştir.

GÜVENLİK UYARILARI

Genel elektrikli alet güvenliği uyarıları

⚠UYARI: Bu elektrikli aletle birlikte sunulan tüm güvenlik uyarılarını, talimatları, çizimleri ve teknik özellikleri okuyun. Aşağıda verilen talimatlara uyulmaması elektrik şoku, yangın ve/veya ciddi yaralanmalar ile sonuçlanabilir.

Tüm uyarıları ve talimatları ile-ride başvurmak için saklayın.

Uyarılardaki "elektrikli alet" terimi ile ya prizden çalışan (kordonlu) elektrikli aletiniz ya da kendi aküsü ile çalışan (kordsuz) elektrikli aletiniz kastedilmektedir.

Akülü sunta kesme güvenlik uyarıları

Kesim prosedürleri

- ⚠TEHLİKE:** Ellerinizi kesme alanından ve bıçaktan uzak tutun. Diğer elinizi yardımcı tutamak veya motor mahfazası üstünde tutun. Her iki el de testereyi tutarsa, bıçaklar tarafından kesilemez.
 - İş parçasının altına uzanmayın.** Siper iş parçasının altında sizi bıçaktan koruyamaz.
 - Kesme derinliğini iş parçasının kalınlığına göre ayarlayın.** İş parçasının altında bıçak dişlerinin bir tam dişinden daha azı görülmelidir.
 - Kesim sırasında iş parçasını asla elinizle ya da bacaklarınızla tutmayın. İş parçasını sabit bir platforma oturtun.** İş parçasını sabit bir platforma oturtun. Bedensel zarar gelmesini, bıçağın iş parçasına saplanıp kalmasını ya da kontrolün kaybedilmesini önlemek için yapılan işi uygun şekilde desteklemek oldukça önemlidir.
- **Şek.1**
- Kesici aletin görünmeyen kabloları ya da aletin kendi kordonuna temas etme olasılığı bulunan yerlerde çalışırken elektrikli aletleri yalıtımlı kavrama yüzeylerinden tutun.** "Akımlı" bir telle temas da elektrikli aletin yalıtımsız metal kısımlarını "akımlı" hale getirir ve kullanıcıyı elektrik şokuna maruz bırakabilir.
 - Biçme yaparken daima bir biçki kenarlığı veya düz kenar kılavuzu kullanın.** Bu daha hassas bir kesim sağlar ve bıçağın sıkışması riskini azaltır.
 - Her zaman doğru mil delik şekline (elmas ya da yuvarlak) ve boyutuna sahip bıçaklar kullanın.** Testerenin montaj donanımına uymayan bıçaklar eksenden çıkar ve kontrolün kaybedilmesine neden olur.
 - Asla hasarlı ya da yanlış bıçak rondelalarını veya civatasını kullanmayın.** Bıçak rondelaları ve civatası testereniz için, optimum performans ve çalışma güvenliği sağlamak amacıyla özel olarak tasarlanmıştır.

Geri tepme nedenleri ve ilgili uyarılar

- geri tepme, sıkışan, takılan ya da yanlış hizalanan testere bıçağına karşı gösterilen ani bir tepkidir ve kontrol edilemeyen testerenin iş parçasından çıkıp operatöre doğru yukarı kalkmasına neden olur;
- kesik kapanarak bıçağın takılmasına ya da sıkışmasına neden olduğunda bıçak durur ve motorun tepkisi sonucu ünite hızlı bir şekilde kullanıcıya doğru geri teper;
- Eğer bıçak kesik içinde bükülür veya yanlış hizalanırsa, bıçağın arka kenarındaki dişler aşabın üst yüzeyine batarak, kertik dışına tırmanış, operatöre doğru geri zıplamasına neden olabilir.

Geri tepme testerenin yanlış kullanılmasının ve/veya yanlış kullanım usulleri veya koşullarının bir sonucudur ve aşağıda verildiği gibi doğru önlemlerle önlenbilir.

- Testereyi iki elinizle sıkıca kavramayı sürdürün ve kollarınızı geri tepme kuvvetlerine karşı koyacak bir konumda tutun. Vücudunuzu bıçak ile aynı hatta değil, bıçağın herhangi bir yanında tutun.** Geri tepme testerenin geriye sıçramasına neden olabilir ama geri tepme kuvvetleri, eğer uygun önlemler alınırsa, operatör tarafından kontrol edilebilir.
 - Bıçak takıldığı veya herhangi bir nedenle kesmeyi durdurduğu zaman, tetiği serbest bırakın ve testereyi bıçak tamamen duruncaya kadar malzeme içinde hareketsiz olarak tutun. Bıçak hareket halindeyken asla testereyi işten çıkarmaya veya geriye çekmeye çalışmayın, aksi takdirde geri tepme meydana gelebilir.** Bıçağın takılma nedenini araştırıp, ortadan kaldırmak için düzeltici işlemleri yapın.
 - Testereyi iş parçasının içinde yeniden başlatırken, testere bıçağını kesiciye ortalarak testere dişlerinin malzemenin içine girmemiş olduğundan emin olun.** Testere bıçağı takılırsa, testere yeniden başlatıldığında yukarı kalkabilir ya da geri tepebilir.
 - Bıçağın sıkışması ve geri tepmesi riskini en aza indirmek için büyük panelleri destekleyin.** Büyük paneller kendi ağırlıkları altında bel vermeye meyillidirler. Destekler, kesme hattına ve panelin kenarına yakın olarak, panelin her iki tarafının altına yerleştirilmelidirler.
- **Şek.2**
- **Şek.3**
- Kör veya hasarlı bıçakları kullanmayın.** Keskin olmayan veya yanlış ayarlanmış bıçaklar dar kerf-tikler açarak, aşırı sürtünmeye, bıçak takılmasına ve geri tepmeye neden olurlar.
 - Kesme yapmadan önce bıçak derinliği ve şev ayarı kilitleme levheleri sıkı ve sabitlenmiş olmalıdır.** Eğer bıçak ayarı kesme sırasında kayarsa, takılmaya ve geri tepmeye neden olabilir.
 - Mevcut duvarların veya diğer kör alanların içine biçme yaparken daha fazla dikkat gösterin.** Çıkıntı yapan bıçak geri tepmeye neden olabilecek cisimleri kesebilir.
 - Aleti DAİMA her iki elinizle sıkıca tutun. Özellikle enine kesim yaparken elinizi, bacağınızı ve vücudunuzun hiçbir kısmını ASLA alet tabanının altına ya da testerenin arkasına koymayın.** Geri tepme olursa, testere kolayca geriye elinizin üstüne sıçrayarak ciddi yaralanmalara neden olabilir.

► Şek.4

9. Testereyi asla zorlamayın. Testereyi bıçağın yavaşlamadan keseceği bir hızda ileri doğru itin. Testereyi zorlamak düzgün olmayan kesmelere, hassaslık kaybına ve olası geri tepmeye neden olabilir.

Koruma parçası işlevi

1. Her kullanımdan önce koruma parçasının düzgün bir şekilde kapanıp kapanmadığını kontrol edin. Koruma parçası serbest bir şekilde hareket etmiyor ve bıçağı anında örtmüyorsa testereyi kullanmayın. Koruma parçasını asla bıçak açıkta kalacak şekilde sıkıştırmayın ve bağlamayın. Testere kazayla düşerse, koruma parçası bükülebilir. Koruma parçasını kontrol ederek tüm açılarda ve tüm kesme derinliklerinde serbest bir şekilde hareket ettiğinden ve bıçağı ya da diğer parçalara temas etmediğinden emin olun.
2. Koruma parçası geri çekme yayının çalışmasını ve durumunu kontrol edin. Koruma parçası ve yay düzgün çalışmıyorsa kullanmadan önce bakımları yapılmalıdır. Hasarlı parçalar, yapışkan birikintileri veya talaş birikmesinden dolayı koruma parçası yavaş çalışabilir.
3. “Daldırmalı kesim” yaparken testerenin kaide plakasının kaymayacağından emin olun. Yanlara doğru kayan bıçak takılmaya ve muhtemelen geri tepmeye neden olur.
4. Testereyi tezgahın ya da zeminin üstüne yerleştirmeden önce koruma parçasının bıçağı örttüğünden emin olun. Korumasız, boşta kalan bir bıçak, testerenin geri hareket ederek önünde ne varsa kesmesine neden olur. Anahtar bırakıldıktan sonra bıçağın durması için gereken zamana dikkat edin.

Ek güvenlik uyarıları

1. Islak ahşap, basınç işlemi görmüş kereste veya budak içeren ahşap keserken çok dikkatli olun. Bıçak uçlarının aşırı ısınmasını engellemek ve plastik malzeme kesiliyorsa plastiğin erimesini önlemek için bıçak hızını düşürmeden aletin düz bir şekilde ilerlemesini sağlayın.
2. Bıçak hareket halindeyken kesilen malzemeyi çıkarmaya çalışmayın. Kesilen materyale ellemeden önce bıçağın durmasını bekleyin. Kapatıldıktan sonra bıçaklar bir müddet boşta hareket edebilir.
3. Çivileri kesmekten kaçının. Kesmeden önce tahtadaki tüm çivileri bulun ve çıkarın.
4. Kesme yaparken, testere tabanının daha geniş bölümünü iş parçasının düşecek kısmının değil altı sağlam şekilde desteklenen kısmının üstüne yerleştirin. İş parçası kısa ya da küçükse, mengeneyle sıkıştırın. KISA PARÇALARI ELLE TUTMAYA ÇALIŞMAYIN!

► Şek.5

5. Bir kesimi gerçekleştirdikten sonra aleti bırakırken, siperin kapalı olduğundan ve bıçağın tam olarak durduğundan emin olun.
6. Daire testereyi mengeneyle baş aşağı tutarak kesme yapmaya asla çalışmayın. Bu son derece tehlikelidir ve ciddi kazalara yol açabilir.

► Şek.6

7. Bazı malzemeler zehirli olabilen kimyasallar içerirler. Toz yutmayı ve cilt temasını önlemek için tedbir alın. Malzeme sağlayıcısının güvenlik bilgilerine uyun.
8. Bıçakları testere bıçağına yanal basınç uygulayarak durdurmayın.
9. Aşındırıcı diskleri kullanmayın.
10. Sadece alet üzerine basılmış olan ya da kılavuzda belirtilmiş olan çapta bir testere bıçağı kullanın. Yanlış boyuttaki bir bıçağın kullanılması bıçağı karşı doğru bir şekilde siperle koruma yapılmasını veya siperin işleyişini etkileyebilir, bu da ciddi kişisel yaralanmalara neden olabilir.
11. Bıçağı keskin ve temiz tutun. Bıçakların üzerinde sertleşen sakız veya zambak, testereyi yavaşlatır ve geri tepme riskini artırır. Bıçağı önce aletten çıkarıp ardından sakız ve zambak çözücü bir madde, sıcak su veya gaz yağı ile temizleyin. Asla benzin kullanmayın.
12. Bu aleti kullanırken bir toz maskesi ve kulak koruması takın.
13. Her zaman keseceğiniz malzeme için tasarlanmış testere bıçağını kullanın.
14. Sadece hızlı alet üzerinde işaretli olan hıza eşit ya da ondan daha yüksek olan testere bıçaklarını kullanın.
15. (Yalnızca Avrupa ülkeleri için)
Her zaman EN847-1 standartına uygun bir bıçak kullanın.

BU TALİMATLARI MUHAFAZA EDİNİZ.

⚠UYARI: Ürünü kullanırken (defalarca kullanınca kazanılan) rahatlık ve tanıdıklık duygusunun ilgili ürünün güvenli kullanım sıklığıyla ilgili kalmanın yerine geçmesine İZİN VERMEYİN. YANLIŞ KULLANIM veya bu kullanma kılavuzunda belirtilen emniyet kurallarına uymama ciddi yaralanmaya neden olabilir.

Batarya kartuşu hakkında önemli güvenlik talimatları

1. Batarya kartuşunu kullanmadan önce, tüm talimatları ve (1) batarya kartuşu, (2) batarya ve (3) ürün üzerindeki tüm uyarı işaretlerini okuyun.
2. Batarya kartuşunu demonte etmeyin.
3. Çalışma süresi aşırı derecede kısalmışsa kullanmayı derhal bırakın. Aşırı ısınma, yanma riski hatta patlamaya neden olabilir.
4. Gözünüze elektrolit kaçarsa, gözlerinizi temiz suyla durulayın ve hemen tıbbi yardım alın. Görme kaybına yol açabilir.
5. Batarya kartuşuna kısa devre yaptırmayın:
 - (1) Terminallere herhangi bir iletken madde değdirmeyin.
 - (2) Batarya kartuşunu çiviler, madeni paralar, vb. gibi başka metal nesnelere aynı kaba koymaktan kaçının.
 - (3) Batarya kartuşunu yağmura ya da suya maruz bırakmayın.Kısa devre, büyük bir akım akışına, aşırı ısınmaya, olası yanıklara hatta bataryanın bozulmasına yol açabilir.

6. Aleti ve batarya kartuşunu sıcaklığın 50°C ya da daha yükseğe ulaştığı yerlerde saklamayın.
7. Aşırı derecede hasar görmüş ya da tamamen kullanılamaz durumda olsa bile batarya kartuşunu yakmayın. Batarya kartuşu ateşe atılırsa patlayabilir.
8. Bataryayı düşürmemeye ve çarpmamaya dikkat edin.
9. Hasarlı bataryayı kullanmayın.
10. Aletin içerdiği lityum-iyon bataryalar Tehlikeli Eşyalar Yönetmeliğinin gereksinimlerine tabidir.
Ticari nakliye işlemleri için, örneğin üçüncü taraflar, nakliye acenteleri tarafından yapılan nakliyelerde, paketlenme ve etiketleme gereksinimlerine uyulmalıdır.
Nakliyesi yapılacak ürünün hazırlanması için, tehlikeli maddeler konusunda uzman bir kişiye danışın. Lütfen muhtemelen daha ayrıntılı olan ulusal yönetmeliklere de uyun.
Açık kontakları bantlayın ya da maskeleyin ve bataryayı paketin içinde hareket etmeyecek şekilde paketlenin.
11. Bataryanın elden çıkarılması ile ilgili yerel düzenlemelere uyunuz.

BU TALİMATLARI MUHAFAZA EDİNİZ.

⚠DİKKAT: Sadece orijinal Makita bataryalarını kullanın. Orijinal olmayan Makita bataryaları ya da üzerine değişiklik yapılmış bataryaların kullanımı bataryanın patlamasına ve sonuç olarak yangın, kişisel yaralanma ve hasara neden olabilir. Ayrıca Makita aleti ve şarj aletinin Makita tarafından sunulan garantisini de geçersiz olur.

Maksimum batarya ömrü için ipuçları

1. Batarya kartuşunu tamamen boşalmadan önce şarj edin. Aletin gücünün zayıflamaya başladığını fark ettiğinizde aleti durdurun ve batarya kartuşunu şarj edin.
2. Tam dolu bir batarya kartuşunu asla yeniden şarj etmeyin. Aşırı şarj etme bataryanın hizmet ömrünü kısaltır.
3. Batarya kartuşunu 10°C - 40°C oda sıcaklığında şarj edin. Sıcak bir batarya kartuşunu şarj etmeden önce soğumasını bekleyin.
4. Uzun bir süre (altı aydan daha fazla) kullanmadığınız durumlarda batarya kartuşunu şarj edin.

Kablosuz ünitesi için önemli güvenlik talimatları

1. Kablosuz ünitesini parçalarına ayırmayın veya kurcalamayın.
2. Kablosuz ünitesini küçük çocuklardan uzak tutun. Kazara yutulursa derhal tıbbi yardım alın.
3. Kablosuz ünitesini sadece Makita aletlerle kullanın.
4. Kablosuz ünitesini yağmura veya ıslak koşullara maruz bırakmayın.

5. Kablosuz ünitesini sıcaklığın 50°C'yi aştığı yerlerde kullanmayın.
6. Kablosuz ünitesini, kalp pilleri gibi tıbbi cihazların yakınında bulunan yerlerde kullanmayın.
7. Kablosuz ünitesini, otomatik cihazların yakınında bulunan yerlerde kullanmayın. Kullanılırsa otomatik cihazlar arızalanabilir veya hata verebilir.
8. Kablosuz ünitesi elektromanyetik alanlar üretir ancak onlar kullanıcıya zararlı değildir.
9. Kablosuz ünitesi hassas bir cihazdır. Kablosuz ünitesini düşürmemeye veya çarpmamaya dikkat edin.
10. Kablosuz ünitesinin terminaline çıplak ellerle veya metalik malzemelerle dokunmaktan kaçının.
11. Kablosuz ünitesini takarken aletin üzerindeki bataryayı mutlaka çıkarın.
12. Yuva kapağını açarken yuvaya toz ve suyun girebileceği yerlerden kaçın. Yuva girişini daima temiz tutun.
13. Kablosuz ünitesi her zaman doğru yönde takın.
14. Kablosuz ünitesinin üzerindeki kablosuz çalıştırma düğmesine çok sert basmayın ve/veya düğmeye keskin uçlu bir cisim ile basmayın.
15. Kullanırken yuva kapağını mutlaka kapatın.
16. Alete güç beslenirken kablosuz ünitesini yuvadan çıkarmayın. Aksi takdirde kablosuz ünitesi arızalanabilir.
17. Kablosuz ünitesinin üzerindeki etiketi çıkarmayın.
18. Kablosuz ünitesinin üzerine hiçbir etiket koymayın.
19. Kablosuz ünitesini, statik elektrik veya elektrik gürültüsü üretilebilecek yerlerde bırakmayın.
20. Kablosuz ünitesini, güneşin altında duran bir araba gibi yüksek ısıya maruz yerlerde bırakmayın.
21. Kablosuz ünitesini, tozlu veya aşındırıcı gaz üretilebilecek yerlerde bırakmayın.
22. Ani sıcaklık değişimleri kablosuz ünitesini nemelemlendirebilir. Nem tamamen kuruyana dek kablosuz ünitesini kullanmayın.
23. Kablosuz ünitesini temizlerken kuru yumuşak bir bezle nazikçe silin. Benzin, tiner, iletken gres veya benzeri maddeler kullanmayın.
24. Kablosuz ünitesini saklarken ürünle verilen kutusunda veya anti-statik bir kaptaki saklayın.
25. Alet üzerindeki yuvaya Makita kablosuz ünitesi dışında başka hiçbir aygıt sokmayın.
26. Aleti, yuvanın kapağını hasarlı iken kullanmayın. Yuvaya giren su, toz ve pislik arızaya neden olabilir.
27. Yuvanın kapağını gerekenden fazla çekmeyin ve/veya bükmeyin. Aletten çıkması durumunda kapağını yeniden takın.
28. Kaybolur veya hasar görürse kapağını değiştirin.

BU TALİMATLARI MUHAFAZA EDİNİZ.

İŞLEVSEL NİTELİKLER

⚠️ DİKKAT: Alet üzerinde ayarlama veya işleyiş kontrolü yapmadan önce aletin kapalı ve batarya kartuşunun ayrılmış olduğundan daima emin olun.

Batarya kartuşunun takılması ve çıkarılması

⚠️ DİKKAT: Batarya kartuşunu takmadan ya da çıkarmadan önce aleti daima kapatın.

⚠️ DİKKAT: Batarya kartuşunu takarken veya çıkarırken aleti ve batarya kartuşunu sıkıca tutun. Aletin ve batarya kartuşunun sıkıca tutulmaması bunların düşürülmesine sebep olabilir ve alet ve batarya kartuşunun zarar görmesine ya da ciddi yaralanmasına yol açabilir.

► **Şek.7:** 1. Kırmızı gösterge 2. Düğme 3. Batarya kartuşu

Batarya kartuşunu çıkarmak için, kartuşun ön tarafındaki düğmeyi kaydırarak kartuşu aletten çıkarın.

Batarya kartuşunu takmak için, batarya kartuşu üzerindeki dili yuvarın çentiği ile hizalayın ve yerine oturtun. Hafif bir tık sesi duyulana kadar itip yerine tam oturmasını sağlayın. Düğmenin üst tarafındaki kırmızı gösterge görünüyorsa tam yerine kilitlenmemiş demektir.

⚠️ DİKKAT: Batarya kartuşunu daima kırmızı gösterge görünmeyecek şekilde tam olarak takın. Yerine tam oturmazsa, aletten yanlışlıkla düşebilir, sizin ya da çevrenizdeki kişilerin yaralanmasına neden olabilir.

⚠️ DİKKAT: Batarya kartuşunu zorlayarak takmayın. Kartuş kolay bir şekilde kaymıyorsa doğru yerleştirilmemiş demektir.

NOT: Alet sadece bir batarya kartuşu ile çalışmaz.

Alet/batarya koruma sistemi


Bu alet bir alet/batarya koruma sistemi ile donatılmıştır. Bu sistem motora giden gücü otomatik olarak keserek uzun alet ve batarya ömrü sağlar. Alet veya batarya için aşağıdaki durumlardan biri söz konusu olduğunda aletin işleyişi otomatik olarak durur. Bazı durumlarda göstergeler yanar.

Aşırı yük koruması

Alet, anormal derecede yüksek akım çekmesine neden olacak şekilde kullanıldığında, alet otomatik olarak durur. Bu durumda, aleti kapatın ve aletin aşırı yüklenmesine neden olan uygulamayı durdurun. Ardından yeniden başlatmak için aleti çalıştırın.

Aşırı ısınma koruması

Alet aşırı ısındığında otomatik olarak durur ve batarya göstergesi yaklaşık 60 saniye yanıp söner. Bu durumda, yeniden çalıştırmadan önce aletin soğumasını bekleyin.

| <input type="checkbox"/> Açık | <input type="checkbox"/> Yanıp sönüyor |
|---|--|
|  | |


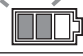


Aşırı deşarj koruması

Batarya kapasitesi düştüğünde, alet otomatik olarak durur. Anahtarlar devredeyken bile ürün çalışmıyorsa, bataryaları aletten çıkarıp şarj edin.

Kalan batarya kapasitesinin gösterilmesi

► **Şek.8:** 1. Batarya göstergesi (üst batarya için) 2. Kontrol düğmesi 3. Batarya göstergesi (alt batarya için)

Kalan batarya kapasitesini göstermesi için kontrol düğmesine basın. Batarya göstergelerini her biri bir bataryaya karşılık gelir.







| Batarya göstergesi durumu | | | Kalan pil kapasitesi |
|---|---------------------------------|--|----------------------|
| <input type="checkbox"/> Açık | <input type="checkbox"/> Kapalı | <input type="checkbox"/> Yanıp sönüyor | |
|  | | | %50 ila %100 |
|  | | | %20 ila %50 |
|  | | | %0 ila %20 |
|  | | | Bataryayı şarj edin |

Kalan batarya kapasitesinin gösterilmesi

Sadece göstergeli batarya kartuşları için

► **Şek.9:** 1. Gösterge lambaları 2. Kontrol düğmesi

Kalan batarya kapasitesini göstermesi için batarya kartuşu üzerindeki kontrol düğmesine basın. Gösterge lambaları birkaç saniye yanar.

| Gösterge lambaları | | | Kalan kapasite |
|--|---------------------------------|--|-------------------------------|
| <input type="checkbox"/> Yanıyor | <input type="checkbox"/> Kapalı | <input type="checkbox"/> Yanıp sönüyor | |
|  | | | %75 ila %100 |
|  | | | %50 ila %75 |
|  | | | %25 ila %50 |
|  | | | %0 ila %25 |
|  | | | Bataryayı şarj edin. |
|  ↑ ↓ | | | Batarya arızalanmış olabilir. |

NOT: Kullanım koşullarına ve ortam sıcaklığına bağlı olarak, gösterilen değer gerçek kapasiteden biraz farklılık gösterebilir.




Otomatik hız deęiřtirme iřlevi

NOT: Otomatik hız deęiřtirme iřlevi sadece hız ayar kadranını 5'te iken kullanılabilir.

Bu alette "yüksek hız modu" ve "yüksek tork modu" bulunur. Alet iř yüküne baęlı olarak çalıřma modunu otomatik olarak deęiřtirir. Iř yükü düřükken alet, hızlı kesim iřlemi için "yüksek hız modunda" çalıřır. Iř yükü yüksekken alet, güçlü kesim iřlemi için "yüksek tork modunda" çalıřır.

► **řek.10:** 1. Mod göstergesi

Alet "yüksek tork modunda" çalıřırken mod göstergesi yeřil yanar. Alet ařırı yükte çalıřtırılırsa mod göstergesi yeřil yanıp sönür. Aletin üzerindeki yük azaltılırsa mod göstergesi yanıp sönmeyi keser ve daha sonra yanar veya sönür.

| Mod göstergesi durumu | | | Çalıřma modu |
|-----------------------|---|-----------------|-------------------|
| ● Kapalı | ○ Açık | ● Yanıp sönüyor | |
| |  | | Yüksek hız modu |
| |  | | Yüksek tork modu |
| |  | | Ařırı yük uyarısı |

Kesimin derinlięini ayarlamak

▲ DİKKAT: Kesim derinlięini ayarladıktan sonra sıkıřtırma vidasını daima iyice sıkın.

Derinlik kılavuzunun üzerindeki sıkıřtırma vidasını gevřetin ve bıçak alt sınır durdurucusunu ölçek plakası üzerinde istenen derinlięe getirin. İstlenen kesim derinlięinde sıkıřtırma vidasını iyice sıkın.

Daha temiz ve güvenli kesimler için, kesim derinlięini bıçaęın bir diřinden fazlası iř parçasının altından çıkmayacak řekilde ayarlayın. Doęru kesim derinlięinin kullanılması ciddi yaralanmalara neden olabilecek olası GERİ TEPMELEERİN önlenmesini saęlar.

► **řek.11:** 1. Bıçak alt sınır durdurucusu 2. Sıkıřtırma vidası

Kılavuz rayını (iřteęe baęlı aksesuar) kullanırken 2 ila 3 mm kesim derinlięi için hızlı durdurma düęmesi

Bu alet, kılavuz rayını kullanırken 2 ila 3 mm kesim derinlięi için arka tutamaęın yanında, diřli muhafazasının üzerinde bir hızlı durdurma düęmesine sahiptir. Bu, kesilen iř parçasında yarılmayı engellemek için kullanılır. 2 ila 3 mm'lik ilk kesim geçiřini yapın ve daha sonraki geçiřte normal kesimi gerçekteřtirin.

► **řek.12:** 1. Hızlı durdurma düęmesi

2 ila 3 mm derinlięinde kesim elde etmek için hızlı durdurma düęmesini testere bıçaęına doęru bastırın. Bu, iř parçasında yarılmayı engellemek için kullanılıřtır. Serbest kesim derinlięi için kesim derinlięini bu konumdan kurtarmak üzere düęmeyi geri çekin.

Eęimli kesim

Sıkıřtırma vidalarını gevřetin. Uygun řekilde eęerek istenen açiya ayarlayın, ardından sıkıřtırma vidalarını iyice sıkın.

► **řek.13:** 1. Sıkıřtırma vidası 2. Eęim ölçeęi plakası

► **řek.14:** 1. Alt kaide (iřteęe baęlı aksesuar)
2. Sıkıřtırma vidası

Pozitif durdurucu

Pozitif durdurucu, belirtilen açırı çabucak ayarlamak için kullanılıřtır. Pozitif durdurucuyu, üzerindeki ok 22,5°'yi gösterecek řekilde çevirin. Ön ve arkadaki sıkıřtırma vidalarını gevřetin. Daha sonra bıçaęı durana kadar yatırın ve kaideyi sıkıřtırma vidaları ile sabitleyin.

► **řek.15:** 1. Pozitif durdurucu 2. Sıkıřtırma vidası

48° eęimli kesim

48° eęimli kesim yapmak için sıkıřtırma vidalarını gevřetin ve kolu, řekildeki ok yönüne doęru sonuna kadar yatırın. Ardından eęim açısını 48°'ye ayarlayın ve sıkıřtırma vidalarını sıkın.

► **řek.16:** 1. Kol

-1° eęimli kesim

-1° eęimli kesim yapmak için sıkıřtırma vidalarını gevřetin ve kollara, řekildeki ok yönüne doęru bastırın. Ardından eęim açısını -1°'ye ayarlayın ve sıkıřtırma vidalarını sıkın.

► **řek.17:** 1. Kol

Niřanlama

► **řek.18:** 1. Kaide

Kesim çizgisi kesim açısına ve kılavuz rayının (iřteęe baęlı aksesuar) kullanılıp kullanılmadıęına baęlı olarak deęiřir.

Aleti kılavuz rayı olmadan kullanırken

Düz kesimler için kaidenin önünde A konumunu kesim çizginizle hizalayın. 45° eęimli kesimler için B konumunu kesim çizginizle hizalayın.

Aleti kılavuz rayı ile kullanırken

Düz kesimler ve 45° eęimli kesimler için daima kaidenin önünde A konumunu kesim çizginizle hizalayın.

Anahtar iřlemi

▲ UYARI: Batarya kartuşunu alete takmadan önce anahtar tetięin doęru çalıřtıęından ve bırakıldıęında "OFF" (kapalı) konumuna döndüęünden emin olun.

▲ UYARI: Güvenlik kilidi düęmesini ASLA bantlayarak ya da bařka bir yöntemle devre diři bırakmaya çalıřmayın. Güvenlik kilidi düęmesi devre diři bırakılmıř bir anahtar, istem diři çalıřmaya ve ciddi kiřisel yaralanmalara neden olabilir.

▲ UYARI: Güvenlik kilidi düęmesine basmadan sadece anahtar tetik çekildięinde çalıřan bir aleti ASLA kullanmayın. Tamir edilmesi gereken bir anahtar, istem diři çalıřmaya ve ciddi kiřisel yaralanmalara neden olabilir. Daha fazla kullanmadan ÖNCE doęru bir řekilde tamir ettirmek için aleti bir Makita servisine götürün.

Anahtar tetiğın yanlışlıkla çekilmesini önlemek için bir güvenlik kilidi düğmesi sağlanmıştır. Aleti başlatmak için, güvenlik kilidi düğmesine bastırın ve anahtar tetiği çekin. Durdurmak için anahtar tetiği bırakın.

► **Şek.19:** 1. Anahtar tetik 2. Güvenlik kilidi düğmesi

ÖNEMLİ NOT: Güvenlik kilidi düğmesine basmadan anahtar tetiği sıkıca çekmeyin. Bu, anahtarın kırılmasına neden olabilir.

Hız ayar kadranı

Aletin hızı ayar kadranı çevrilererek ayarlanabilir. Hız ayar kadranındaki rakam arttıkça bıçak devir hızı artar.

► **Şek.20:** 1. Hız ayar kadranı

Kesilecek iş parçasına uygun hızı seçmek için tabloya bakın. Bununla birlikte uygun hız, iş parçasının türü veya kalınlığına göre değişebilir. Genellikle yüksek hızlar iş parçalarını daha hızlı kesmenizi sağlar ancak bıçağın kullanım ömrü azalır.

| Rakam | Dakikada bıçak devir hızı (min ⁻¹) |
|-------|--|
| 1 | 2.500 min ⁻¹ |
| 2 | 2.900 min ⁻¹ |
| 3 | 3.900 min ⁻¹ |
| 4 | 4.900 min ⁻¹ |
| 5 | 6.300 min ⁻¹ |

⚠DİKKAT: Hız ayar kadranı düşük hız sınıfı testere bıçaklarını kullanmak için değildir, iş parçasının materyaline uygun bir hız elde etmek içindir. Sadece **TEKNİK ÖZELLİKLER**'de belirtilen en az maksimum yüksüz hız için sınıflandırılmış testere bıçaklarını kullanın.

ÖNEMLİ NOT: Hız ayar kadranı sadece en fazla 5'e kadar ve tekrar 1'e kadar çevrilebilir. 5 veya 1'i geçmesi için zorlamayın aksi takdirde hız ayar işlevi artık çalışmayabilir.

Elektronik fonksiyon

Elektronik işlevli aletlerin kullanılması, aşağıdaki özelliklerden dolayı kolaydır.

Aşırı yük koruması

Alet aşırı yüklendiğinde ve akım belirli bir seviyenin üzerine çıktığında alet motoru korumak için otomatik olarak durur.

Sabit hız kontrolü

Sabit hız elde etmek için elektronik hız kontrolü. Yük şartları altında bile devir hızı sabit tutulduğundan ince bir yüzey elde etmek mümkündür.

Yumuşak kalkış özelliği

Bastırılan başlama şoku nedeniyle yumuşak kalkış.

MONTAJ

⚠DİKKAT: Alet üzerinde herhangi bir iş yapmadan önce aletin kapalı ve batarya kartuşunun ayrılmış olduğundan daima emin olun.

Altıgen anahtarın saklanması

Kullanılmadığı zamanlarda, altıgen anahtarın kaybolmasını önlemek için anahtar şeklide gösterildiği gibi saklayın.

► **Şek.21:** 1. Altıgen anahtar

Sunta kesme bıçağının takılması ve çıkarılması

⚠DİKKAT: Sunta kesme bıçağının, aletin ön kısmında dişler yukarı bakacak şekilde takıldığını emin olun.

⚠DİKKAT: Sunta kesme bıçağını takmak ve çıkarmak için sadece Makita marka anahtar kullanın.

Daire testere bıçağını çıkarmak için:

1. Güvenlik kilidi düğmesine basın ve kavrama kolunu bir miktar indirin. Kilitleme kolunu çevirin ve kilit pimi deliğe girene dek kavrama kolunu indirin.
► **Şek.22:** 1. Güvenlik kilidi düğmesi 2. Kilitleme kolu 3. Kilit pimi 4. Kilit pimi için delik
2. Şaft kilidine tamamen bastırarak bıçağın dönmelerini engelleyin ve altıgen anahtar kullanarak altıgen civatayı gevşetin.
► **Şek.23:** 1. Şaft kilidi 2. Altıgen anahtar 3. Sıkıştırıcı 4. Gevşet
3. Altıgen civatayı, dış flanş ve daire testere bıçağını çıkarın.
► **Şek.24:** 1. Altıgen civata 2. Dış flanş 3. İç flanş 4. Daire testere bıçağı

⚠UYARI: İç flanş çıkarılmışsa mile mutlaka takın. Takarken, testere bıçağı deliğine tam oturacak çıkıntıya sahip olan doğru tarafı seçin. Bıçağın yanlış tarafa monte edilmesi tehlikeli titreşimlere neden olabilir.

Daire testere bıçağını takmak için, çıkarma prosedürünü tersten izleyin. Güvenlik kilidi düğmesine basarak kilit pimini delikten çıkarın.

⚠UYARI: ALTIGEN CIVATAYI İYİCE SIKTIĞINIZDAN EMİN OLUN. Ayrıca, civatayı zorlamadan sıkıya dikkat edin. Altıgen anahtar elinizden kaydırmak kişisel yaralanmaya neden olabilir.

Bıçak koruma parçasının temizlenmesi

Daire testere bıçağını değiştirirken, Bakım bölümünde açıklandığı şekilde, bıçak koruma parçasında birikmiş olan talaşı mutlaka temizleyin. Bunu yapmanız, her kullanımdan önce koruma parçasının işleyişini kontrol etme gereğinin yerine geçmez.

Bir elektrikli süpürge nin bağlanması

İsteğe bağlı aksesuar

Temiz bir kesme işlemi gerçekleştirmek isterseniz, aletinize Makita marka bir elektrikli süpürge bağlayın. Elektrikli süpürge nin hortumunu ön rakor 24 ile toz toplama başlığına bağlayın.

► **Şek.25:** 1. Elektrikli süpürge hortumu 2. Ön rakor 24 3. Toz toplama başlığı

KULLANIM

⚠ DİKKAT: Aleti düz bir çizgi boyunca hafifçe ilerlettığınızden emin olun. Aleti zorlamak veya bükme motorun aşırı ısınmasına ve tehlikeli geri tepmelere neden olarak ciddi yaralanmalara yol açabilir.

⚠ DİKKAT: Kısım kesimi yaparken, özellikle başlangıç sırasında vücudunuzun hiçbir kısmını aletin kaidesinin altına asla yaklaştırmayın. Aksi takdirde ciddi kişisel yaralanmalara neden olabilir. Aletin kaidesinin altında bıçak açık durumdadır.

NOT: Batarya kartuşunun sıcaklığı düşük olduğunda, alet tam kapasitede çalışmayabilir. Bu durumda, batarya kartuşu ısınip oda sıcaklığına ulaşınca kadar, aleti bir müddet boyunca, örnek vermek gerekirse, hafif güç gerektiren bir işte kullanın. Böylece, alet tam kapasitede çalışabilir.

Kısım kesimi (olağan kesim)

► Şek.26

Aleti sıkıca tutun. Alet üzerinde hem ön kavrama kolu hem de arka tutamak mevcuttur. Aleti en iyi şekilde kavramak için ikisini de kullanın. İki eliniz de testereyi tutarsa, ellerinizin daire testere bıçağı tarafından kesilme riski olmaz. Kaideyi daire testere bıçağına temas etmeyecek şekilde kesilecek kısım, istediğinizine yerleştirin. Daha sonra güvenlik kilidi düğmesine bastırın ve anahtar tetiği çekin. Daire testere bıçağı tam hıza ulaşana kadar bekleyin. Şimdi testere kafasını önceden ayarlanan kesim derinliğine kadar yavaşça bastırın ve aleti iş parçasının yüzeyi üzerinde ileri doğru ittirip kesim işlemi tamamlanana kadar düz tutarak yumuşak bir şekilde ilerletin.

Temiz bir kesim için, kesim çizginizi düz, ilerletme hızınızı sabit tutmaya özen gösterin. Kesim, istediğiniz kesim çizgisini düzgün bir şekilde takip etmezse geri dönmeye ya da aleti kesim çizgisine zorlamaya çalışmayın. Bunu yapmak, daire testere bıçağının takılmasına yol açabilir, tehlikeli geri tepmelere ve olası ciddi yaralanmalara neden olabilir. Anahtarı bırakın, daire testere bıçağının durmasını bekleyin ve aleti çekin. Aleti yeni kesim çizgisine hizalayın ve kesimi yeniden başlatın. Kullanıcıyı testereden çıkan talaş ve ahpşap tozuna maruz bırakacak konumlardan kaçının. Yaralanmayı önlemeye yardımcı olması için koruyucu gözlük kullanın.

Kılavuz rayı

İsteğe bağlı aksesuar

Aleti kılavuz rayının arka ucuna yerleştirin. Alet takırdamadan akıcı bir şekilde kayacak şekilde aletin kaidesi üzerindeki iki ayar vidasını çevirin. Aletin hem ön kavrama kolunu hem de arka tutamağını sıkıca tutun. Aleti açın, aleti önceden ayarlanan kesim derinliğine kadar bastırın ve tüm uzunluk boyunca tek hareketle yarılma koruyucuyu kesin. Şimdi, yarılma koruyucunun kenarı kesim kenarına karşılık gelir.

► **Şek.27:** 1. Ayar vidaları

Kılavuz rayı ile eğimli kesim yaparken aletin devrilmesini engellemek için kaydırma kolunu kullanın. Aletin kaidesi üzerindeki kaydırma kolunu ok yönünde kaydırarak kılavuz rayındaki altı kesik kanala geçmesini sağlayın.

► **Şek.28:** 1. Kaydırma kolu

Alt kaide (Kılavuz çubuğu)

İsteğe bağlı aksesuar

Alt kaideyi bir kılavuz çubuğu gibi kullanarak ekstra hassas düz kesimler yapabilirsiniz. Sıkıştırma vidalarını gevşetin ve alt kaideyi dışarı doğru çekerek aletten çıkarın ve üstü alta gelecek şekilde takın.

► **Şek.29:** 1. Sıkıştırma vidası 2. Alt kaide

Alt kaide perdesini iş parçasının kenarına dayanacak şekilde kaydırın ve sıkıştırma vidaları ile yerine sabitleyin. Aynı genişlikte ardıl kesimler yapmayı da mümkün kılar.

► **Şek.30:** 1. Sıkıştırma vidası 2. Alt kaide

Daldırmalı kesim (Kesip çıkarma)

⚠ UYARI: Geri tepmeyi engellemek için aşağıdaki talimatlarla mutlaka uyun.

► **Şek.31:** 1. Aletin kaidesinin arka kenarı 2. Sabit durak

Aleti kılavuz rayı olmadan kullanırken aleti, aletin kaidesinin arka kenarı sabit durağa veya kullanıcı tarafından geliştirilmiş eşdeğerine dayanacak şekilde iş parçasının üzerine yerleştirin.

Aleti kılavuz rayı ile kullanırken aleti, aletin kaidesinin arka kenarı sabit durağa veya kılavuz rayına sabitlenmiş eşdeğerine dayanacak şekilde kılavuz rayının üzerine yerleştirin.

Aleti bir eliniz ön kavrama kolunda ve diğer eliniz tutamakta olacak şekilde sıkıca tutun. Daha sonra güvenlik kilidi düğmesine bastırın ve bıçak tam hıza ulaşana kadar bekleyin. Şimdi testere kafasını önceden ayarlanan kesim derinliğine kadar yavaşça bastırın ve aleti istenen daldırma konumuna ileri doğru yavaşça ilerletin.

NOT: Bıçak koruma parçasının kenarındaki işaretler, kılavuz rayı kullanırken maksimum kesim derinliğinde testere bıçağının mutlak ön ve arka kesim noktalarını gösterir.

► **Şek.32:** 1. Ön kesim noktası 2. Arka kesim noktası

Kılavuz aygıtı

İsteğe bağlı aksesuar

Eğim kılavuzunun kullanılması açılı ve geçme işlerinde tam gönyeli kesimler sağlar. Klemp kullanımı, iş parçasının tezgah üzerinde sıkıca tutulmasını sağlar.

KABLOSUZ ÇALIŞTIRMA İŞLEVİ

Sadece DSP601 için

Kablosuz çalışma işlevi ile yapabilecekleriniz

Kablosuz çalışma işlevi temiz ve rahat kullanım sağlar. Alete desteklenen bir elektrikli süpürge bağlayarak elektrikli süpürgeyi aletin anahtarla çalıştırılması ile birlikte çalıştırabilirsiniz.

► Şek.33

Kablosuz çalışma işlevini kullanmak için aşağıdaki unsurları hazırlayın:

- Bir kablosuz ünitesi
- Kablosuz çalışma işlevini destekleyen bir elektrikli süpürge

Kablosuz çalışma işlevi ayarına genel bakış aşağıda verilmiştir. Ayrıntılı işlemler için her bir kısma bakın.

1. Kablosuz ünitesinin takılması
2. Elektrikli süpürge için alet kaydı
3. Kablosuz çalışma işlevinin başlatılması

Kablosuz ünitesinin takılması

⚠ DİKKAT: Kablosuz ünitesini takarken aleti düz ve dengeli bir zemine yerleştirin.

ÖNEMLİ NOT: Kablosuz ünitesini takmadan önce aletin üzerindeki toz ve kiri temizleyin. Toz veya kir, kablosuz ünitesinin yuvasına girerse arızaya neden olabilir.

ÖNEMLİ NOT: Statik elektrik kaynaklı arızaları engellemek için kablosuz ünitesini almadan önce aletin metal kısmı gibi statik dışarı özellikli bir materyale dokununuz.

ÖNEMLİ NOT: Kablosuz ünitesini takarken kablosuz ünitesinin doğru yönde sokulduğundan ve kapağın tamamen kapatıldığından mutlaka emin olun.

1. Aletin üzerindeki kapağı şekilde gösterildiği gibi açın.

► Şek.34: 1. Kapak

2. Kablosuz ünitesini yuvaya sokun ve daha sonra kapağı kapatın.

Kablosuz ünitesini sokarken çıkıntıları yuva üzerindeki girintili kısımlarla hizalayın.

- Şek.35: 1. Kablosuz ünitesi 2. Çıkıntı 3. Kapak 4. Girintili kısım

Kablosuz ünitesini çıkarırken kapağı yavaşça açın. Kapağın arka kısmındaki kancalar, kapağı yukarı çektiğe kablosuz ünitesini kaldıracaktır.

► Şek.36: 1. Kablosuz ünitesi 2. Kanca 3. Kapak

Kablosuz ünitesini çıkardıktan sonra ürünle verilen kutusunda veya anti-statik bir kapta saklayın.

ÖNEMLİ NOT: Kablosuz ünitesini çıkarırken daima kapağın arka kısmındaki kancaları kullanın. Kancalar kablosuz ünitesini yakalamazsa kapağı tamamen kapatın ve yavaşça tekrar açın.

Elektrikli süpürge için alet kaydı

NOT: Alet kaydı için kablosuz çalışma işlevini destekleyen bir Makita elektrikli süpürge gerekir.

NOT: Alet kaydına başlamadan önce kablosuz ünitesini alete takmayı bitirin.

NOT: Alet kaydı sırasında anahtar tetiği çekmeyin veya elektrikli süpürge üzerindeki güç düğmesini açmayın.

NOT: Elektrikli süpürge kullanma kılavuzuna da bakın.

Elektrikli süpürgeyi aletin anahtarla çalıştırılması ile birlikte çalıştırmak isterseniz önceden alet kaydını tamamlayın.

1. Elektrikli süpürge ve alete bataryaları takın.
2. Elektrikli süpürge üzerindeki bekleme düğmesini "AUTO" konumuna alın.

► Şek.37: 1. Bekleme düğmesi

3. Kablosuz çalışma lambası yeşil yanıp sönene kadar elektrikli süpürge üzerindeki kablosuz çalışma düğmesine 3 saniye süreyle basın. Daha sonra aletin üzerindeki kablosuz çalışma düğmesine aynı şekilde basın.

► Şek.38: 1. Kablosuz çalışma düğmesi 2. Kablosuz çalışma lambası

Elektrikli süpürge ve alet başarıyla birbirlerine bağlanırsa kablosuz çalışma lambaları 2 saniye süreyle yeşil yanar ve mavi yanıp sönmeye başlar.

NOT: Kablosuz çalışma lambaları 20 saniye geçtikten sonra yeşil yanıp sönmeyi keser. Elektrikli süpürge üzerindeki kablosuz çalışma lambası yanıp sönerken aletin üzerindeki kablosuz çalışma düğmesine basın. Kablosuz çalışma lambası yeşil yanıp sönmeyse kablosuz çalışma düğmesine kısa süreli basın ve tekrar basılı tutun.

NOT: Tek bir elektrikli süpürge için iki veya daha fazla alet kaydı yaparken alet kaydını birer birer tamamlayın.

Kablosuz çalışma işlevinin başlatılması

NOT: Kablosuz çalışma öncesinde elektrikli süpürge için alet kaydını tamamlayın.

NOT: Elektrikli süpürge kullanma kılavuzuna da bakın.

Elektrikli süpürgeye bir aleti kaydettikten sonra elektrikli süpürge, aletin anahtarla çalıştırılması ile birlikte otomatik olarak çalışır.

1. Kablosuz ünitesini alete takın.
 2. Elektrikli süpürge hortumunu alete bağlayın.
► **Şek.39**
 3. Elektrikli süpürge üzerindeki bekleme düğmesini "AUTO" konumuna alın.
► **Şek.40:** 1. Bekleme düğmesi
 4. Aletin üzerindeki kablosuz çalışma düğmesine kısa süreyle basın. Kablosuz çalışma lambası mavi yanıp söner.
► **Şek.41:** 1. Kablosuz çalışma düğmesi
2. Kablosuz çalışma lambası
 5. Aletin anahtar tetiğini çekin. Anahtar tetik çekilince elektrikli süpürge çalıştığını kontrol edin.
- Elektrikli süpürge kablosuz çalışmasını durdurmak için alet üzerindeki kablosuz çalışma düğmesine basın.

NOT: Alet üzerindeki kablosuz çalışma lambası, 2 saat süreyle işlem yapılmazsa mavi yanıp sönmeyi keser. Bu durumda elektrikli süpürge üzerindeki bekleme düğmesini "AUTO" konumuna alın ve alet üzerindeki kablosuz çalışma düğmesine tekrar basın.

NOT: Elektrikli süpürge bir gecikmeyle başlar/durur. Elektrikli süpürge, aletin anahtarla çalıştırıldığını algıladığında bir gecikme söz konusu olur.

NOT: Kablosuz ünitesinin iletim mesafesi konum ve çevre şartlarına bağlı olarak değişebilir.

NOT: Tek bir elektrikli süpürgeye iki veya daha fazla alet kaydedildiğinde başka bir kullanıcı kablosuz çalışma işlevini kullandığından anahtar tetiği çekmeseniz bile elektrikli süpürge çalışmaya başlayabilir.

Kablosuz çalışma lambası durumunun açıklanması

- **Şek.42:** 1. Kablosuz çalışma lambası

Kablosuz çalışma lambası kablosuz çalışma işlevinin durumunu gösterir. Lamba durumunun anlamı için aşağıdaki tabloya bakın.

| Durum | Kablosuz çalışma lambası | | | Süre | Açıklama |
|------------------------------|--------------------------|-------------------------------------|---|------------------|---|
| | Renk | <input type="checkbox"/> Kapalı | <input type="checkbox"/> Yanıp sönmüyor | | |
| Beklemede | Mavi | <input checked="" type="checkbox"/> | | 2 saat | Elektrikli süpürge kablosuz çalıştırılması kullanılabilir. 2 saat süreyle işlem yapılmazsa lamba otomatik olarak söner. |
| | | <input type="checkbox"/> | | Alet çalışırken. | Elektrikli süpürge kablosuz çalıştırılması kullanılabilir ve alet çalışıyor. |
| Alet kaydı | Yeşil | <input checked="" type="checkbox"/> | | 20 saniye | Alet kaydı için hazır. Elektrikli süpürge tarafından alet kaydı bekleniyor. |
| | | <input type="checkbox"/> | | 2 saniye | Alet kaydı tamamlandı. Kablosuz çalışma lambası mavi yanıp sönmeye başlar. |
| Alet kaydının iptal edilmesi | Kırmızı | <input checked="" type="checkbox"/> | | 20 saniye | Alet kaydının iptali için hazır. Elektrikli süpürge tarafından iptal bekleniyor. |
| | | <input type="checkbox"/> | | 2 saniye | Alet kaydı iptali tamamlandı. Kablosuz çalışma lambası mavi yanıp sönmeye başlar. |
| Diğer | Kırmızı | <input type="checkbox"/> | | 3 saniye | Kablosuz ünitesine güç besleniyor ve kablosuz çalışma işlevi başlıyor. |
| | | <input type="checkbox"/> | - | - | Elektrikli süpürge kablosuz çalıştırılması durduruldu. |

Elektrikli süpürge için alet kaydının iptal edilmesi

Elektrikli süpürge için alet kaydını iptal ederken aşağıdaki prosedürü uygulayın.

1. Elektrikli süpürge ve alete bataryaları takın.
2. Elektrikli süpürge üzerindeki bekleme düğmesini "AUTO" konumuna alın.
► **Şek.43:** 1. Bekleme düğmesi
3. Elektrikli süpürge üzerindeki kablosuz çalışma düğmesine 6 saniye süreyle basın. Kablosuz çalışma lambası yeşil yanıp söner ve daha sonra kırmızı olur. Ondan sonra aletin üzerindeki kablosuz çalışma düğmesine aynı şekilde basın.
► **Şek.44:** 1. Kablosuz çalışma düğmesi
2. Kablosuz çalışma lambası

İptal başarıyla yapılırsa kablosuz çalışma lambaları 2 saniye süreyle kırmızı yanar ve mavi yanıp sönmeye başlar.

NOT: Kablosuz çalışma lambaları 20 saniye geçtikten sonra kırmızı yanıp sönmeyi keser. Elektrikli süpürge üzerindeki kablosuz çalışma lambası yanıp sönerken aletin üzerindeki kablosuz çalışma düğmesine basın. Kablosuz çalışma lambası kırmızı yanıp sönmese kablosuz çalışma düğmesine kısa süreli basın ve tekrar basılı tutun.

Kablosuz çalıştırma işlevi için sorun giderme

Onarım için servise gitmeden önce kontrolleri yapın. Kılavuzda açıklanmayan bir problemle karşılaşırsanız aleti demonte etmeyin. Bunun yerine, Makita Yetkili Servis Merkezlerine başvurun ve daima orijinal Makita yedek parçaları kullanın.

| Anormal durum | Olası nedeni (arıza) | Çözümü |
|--|---|--|
| Kablosuz çalıştırma lambası yanmıyor/yanıp sönmüyor. | Kablosuz ünitesi alete takılmamış. Kablosuz ünitesi alete hatalı takılmış. | Kablosuz ünitesini doğru takın. |
| | Kablosuz ünitesinin terminali ve/veya yuva kirlidir. | Kablosuz ünitesinin terminalindeki tozu ve kiri hafifçe silin ve yuvayı temizleyin. |
| | Aletin üzerindeki kablosuz çalıştırma düğmesine basılmamış. | Aletin üzerindeki kablosuz çalıştırma düğmesine kısa süreyle basın. |
| | Elektrikli süpürge üzerindeki bekleme düğmesi "AUTO" konumuna alınmamış. | Elektrikli süpürge üzerindeki bekleme düğmesini "AUTO" konumuna alın. |
| | Güç beslemesi yok | Alete ve elektrikli süpürgeye güç besleyin. |
| Alet kaydı / alet kaydı iptali başarıyla tamamlanmıyor. | Kablosuz ünitesi alete takılmamış. Kablosuz ünitesi alete hatalı takılmış. | Kablosuz ünitesini doğru takın. |
| | Kablosuz ünitesinin terminali ve/veya yuva kirlidir. | Kablosuz ünitesinin terminalindeki tozu ve kiri hafifçe silin ve yuvayı temizleyin. |
| | Elektrikli süpürge üzerindeki bekleme düğmesi "AUTO" konumuna alınmamış. | Elektrikli süpürge üzerindeki bekleme düğmesini "AUTO" konumuna alın. |
| | Güç beslemesi yok | Alete ve elektrikli süpürgeye güç besleyin. |
| | Hatalı çalışma | Kablosuz çalıştırma düğmesine kısa süreyle basın ve alet kaydı/iptal prosedürlerini yeniden uygulayın. |
| | Alet ve elektrikli süpürge birbirlerinden uzakta (iletim aralığının dışında). | Aleti ve elektrikli süpürgeyi birbirlerine yaklaştırın. Maksimum iletim mesafesi yaklaşık 10 m'dir, ancak şartlara bağlı olarak değişebilir. |
| | Alet kaydını/iptalini tamamlamadan önce; - Alet üzerindeki anahtar tetik çekilmiş veya; - Elektrikli süpürge üzerindeki güç düğmesine basılmış. | Kablosuz çalıştırma düğmesine kısa süreyle basın ve alet kaydı/iptal prosedürlerini yeniden uygulayın. |
| | Alet veya elektrikli süpürge için alet kaydı prosedürleri tamamlanmamış. | Alet ve elektrikli süpürge için alet kaydı prosedürlerini aynı zamanda uygulayın. |
| Elektrikli süpürge, aletin anahtarla çalıştırılması ile birlikte çalışmıyor. | Kablosuz ünitesi alete takılmamış. Kablosuz ünitesi alete hatalı takılmış. | Kablosuz ünitesini doğru takın. |
| | Kablosuz ünitesinin terminali ve/veya yuva kirlidir. | Kablosuz ünitesinin terminalindeki tozu ve kiri hafifçe silin ve yuvayı temizleyin. |
| | Aletin üzerindeki kablosuz çalıştırma düğmesine basılmamış. | Kablosuz çalıştırma düğmesine kısa süreyle basın ve kablosuz çalıştırma lambasının mavi yanıp söndüğünü kontrol edin. |
| | Elektrikli süpürge üzerindeki bekleme düğmesi "AUTO" konumuna alınmamış. | Elektrikli süpürge üzerindeki bekleme düğmesini "AUTO" konumuna alın. |
| | Elektrikli süpürgeye 10'dan fazla alet kayıtlı. | Alet kaydını yeniden yapın. Elektrikli süpürgeye 10'dan fazla alet kayıtlı ise ilk önce kaydedilen alet otomatik olarak iptal edilir. |
| | Elektrikli süpürge tüm alet kayıtlarını silmiş. | Alet kaydını yeniden yapın. |
| | Güç beslemesi yok | Alete ve elektrikli süpürgeye güç besleyin. |
| | Alet ve elektrikli süpürge birbirlerinden uzakta (iletim aralığının dışında). | Aleti ve elektrikli süpürgeyi birbirlerine yaklaştırın. Maksimum iletim mesafesi yaklaşık 10 m'dir, ancak şartlara bağlı olarak değişebilir. |
| | Yüksek güçte radyo dalgaları üreten diğer cihazlardan radyo paraziti. | Aleti ve elektrikli süpürgeyi, Wi-Fi cihazları ve mikro-dalga fırınlar gibi cihazlardan uzak tutun. |
| | Diğer kullanıcılar, elektrikli süpürge için kablosuz çalıştırma düğmesini kendi aletleriyle kullanıyor. | Diğer aletlerin kablosuz çalıştırma düğmesini kapatın veya diğer aletlerin alet kaydını iptal edin. |

BAKIM

⚠ DİKKAT: Muayene ya da bakım yapmadan önce aletin kapalı ve batarya kartuşunun çıkartılmış olduğundan daima emin olun.

⚠ DİKKAT: Koruma sisteminin işleyişine engel olabilecek birikmiş talaş olmadığından emin olmak için koruma parçasını temizleyin. Kirli bir koruma sistemi doğru işleyişi sınırlandırabilir, bu da ciddi kişisel yaralanmalara neden olabilir. Bu temizliği gerçekleştirmenin en etkili yolu basınçlı hava kullanmaktır. **Koruma parçasından dışarıya toz üfürülüyorsa, uygun göz koruyucu ve solunum korumasını kullandığınızdan emin olun.**

ÖNEMLİ NOT: Benzin, tiner, alkol ve benzeri maddeleri kesinlikle kullanmayın. Renk değişimi, deformasyonu veya çatlaklar oluşabilir.

0° kesim ve 45° hassasiyetinin ayarlanması

ÖNEMLİ NOT: 0° kesim hassasiyetini ayarlarken -1° eğim açısı kollarını devreye almayın.

ÖNEMLİ NOT: 45° kesim hassasiyetini ayarlarken 48° eğim açısı kolunu devreye almayın.

Bu ayarlamalar fabrikada yapılmıştır. Fakat bozuxsa, aşağıdaki prosedürlere göre ayarlayabilirsiniz.

1. Aletin önündeki ve arkasındaki sıkıştırma vidalarını hafifçe gevşetin.
2. Bıçak açısını ayarlayın.
► **Şek.45:** 1. Üçgen cetvel

0° kesim hassasiyetini ayarlamak için bir üçgen cetvel, kare cetvel, vb. kullanarak, ayar civatasını döndürüp kaidenin bıçağa dik olmasını sağlayın.

► **Şek.46:** 1. 0° kesim için ayar civatası

45° kesim hassasiyetini ayarlamak için bir üçgen cetvel kullanarak, ayar civatasını döndürüp kaidenin bıçağa 45° olmasını sağlayın.

► **Şek.47:** 1. 45° kesim için ayar civatası

3. Sıkıştırma vidalarını sıkın ve bir deneme kesimi yapın.

Aleti EMNİYETLİ ve ÇALIŞMAYA HAZIR durumda tutmak için onarımlar, başka her türlü bakım ve ayarlamalar daima Makita yedek parçaları kullanılarak Makita yetkili servis merkezleri veya Fabrikanın Servis Merkezleri tarafından yapılmalıdır.

İSTEĞE BAĞLI AKSESUARLAR

⚠ DİKKAT: Bu aksesuarlar ve ek parçalar bu el kitabında belirtilen Makita aletiniz ile kullanılmak için tavsiye edilmektedir. Herhangi başka bir aksesuar ya da ek parça kullanılması insanlar için bir yaralanma riski getirebilir. Aksesuarları ya da ek parçaları yalnızca belirtilmiş olan kullanım amaçlarına uygun olarak kullanın.

Bu aksesuarlarla ilgili daha fazla bilgiye ihtiyaç duyarsanız bulunduğunuz yerdeki yetkili Makita servisine başvurun.

- Sunta kesme bıçağı
- Alt kaide
- Altıgen anahtar
- Kılavuz rayı
- Eğim kılavuzu
- Klomp
- Plaka
- Kauçuk plaka
- Konum plakası
- Kablosuz ünitesi (DSP601 için)
- Orijinal Makita batarya ve şarj aleti

NOT: Listedeki parçaların bazıları alet paketi içerisinde standart aksesuar olarak dahil edilmiş olabilir. Bunlar ülkeden ülkeye farklılık gösterebilir.

Makita Europe N.V. Jan-Baptist Vinkstraat 2,
3070 Kortenberg, Belgium

Makita Corporation 3-11-8, Sumiyoshi-cho,
Anjo, Aichi 446-8502 Japan

www.makita.com

| |
|---|
| 885610-999 EN, FR, DE, IT, NL, ES, PT, DA, EL, TR 20170523 |
|---|